

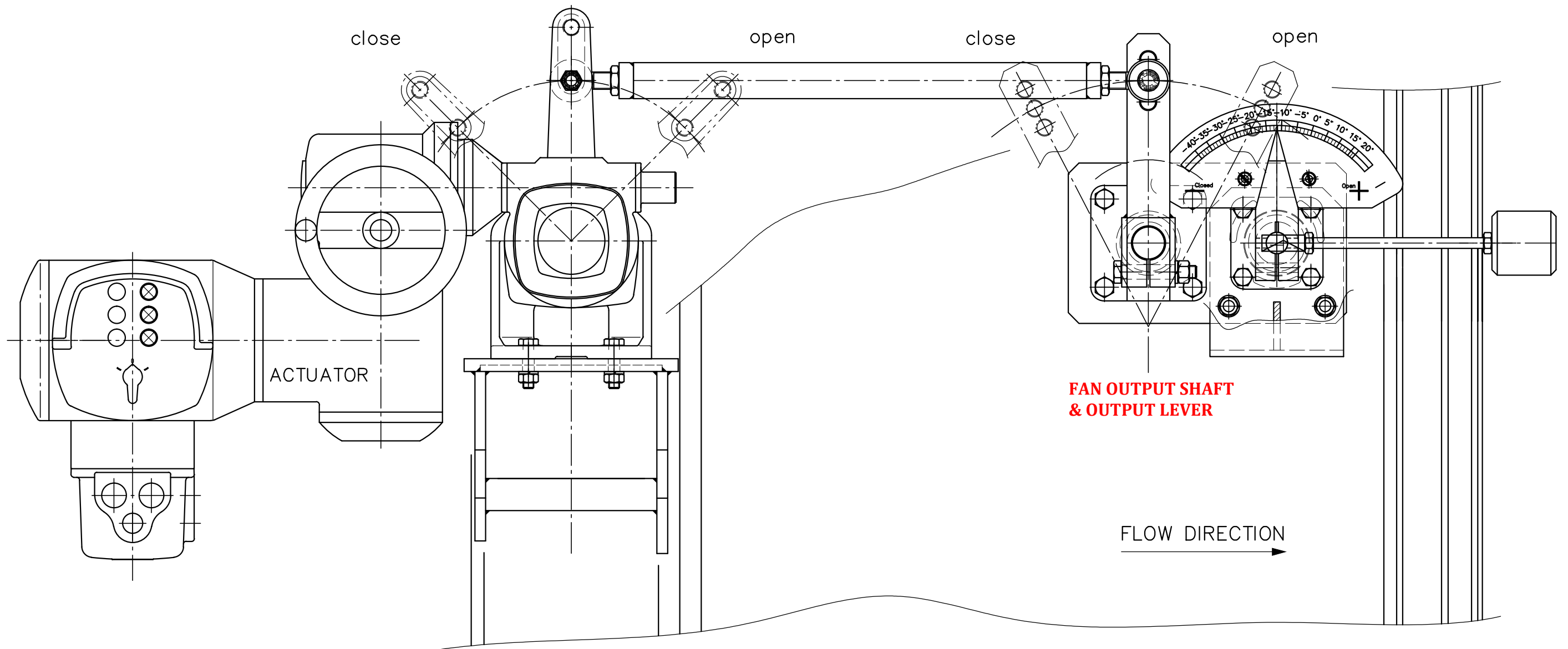
**CORRIGENDUM-1 Dated 01.02.2023**

**TENDER REFERENCE: 2023\_BHEL\_21866\_1 dt 23.01.2023**

**HIGH ACCURACY ELECTRICAL ACTUATORS**

**PATRATU STPS EXPN 3X800MW UNIT-1, 2 & 3 PROJECT**

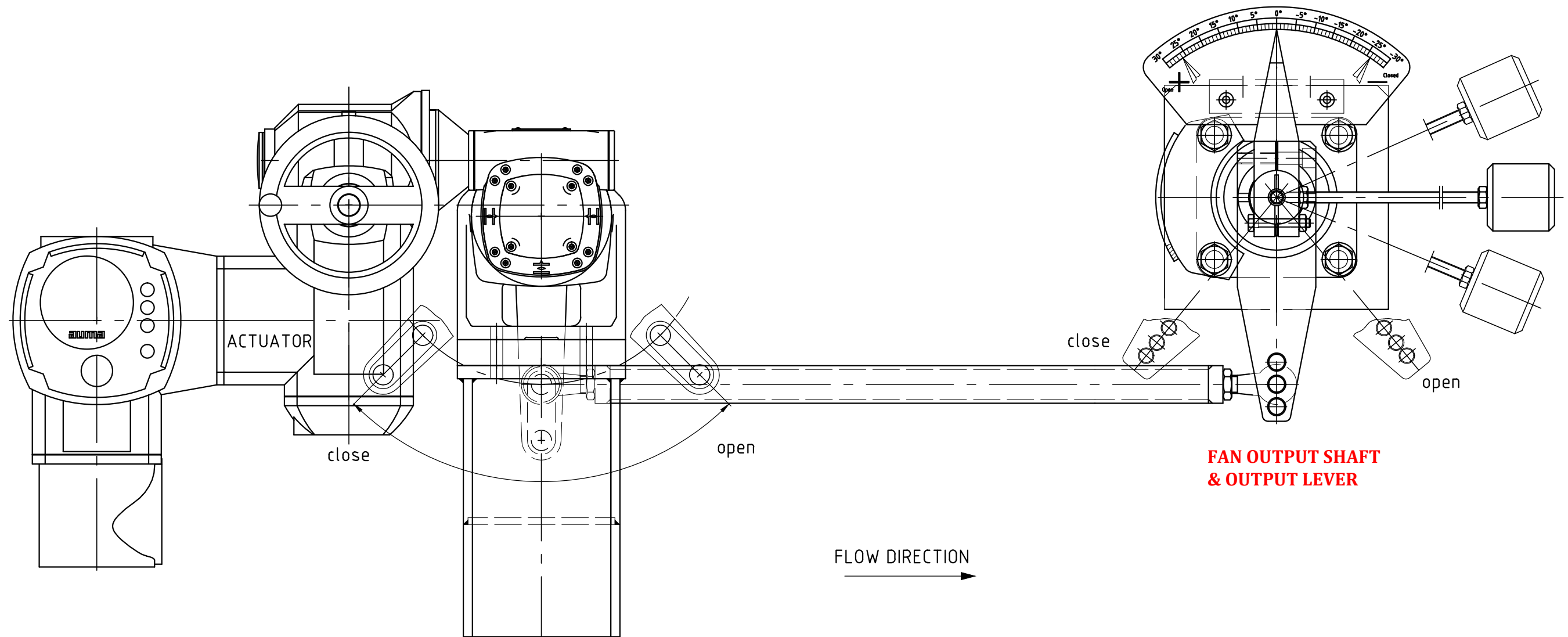
**This Corrigendum is issued to attach the Actuator mounting arrangement**



**NOTE:**

- 01. ACTUATOR LEVER IS IN THE OPPOSITE SIDE
- 02. ACTUATOR OPEN IS IN THE CLOCKWISE DIRECTION AS PER THE ABOVE VIEW.

DRN.	P.SARAVANAN	21.06.17	TITLE
CHD.	PRASANNA	21.06.17	ACTUATOR ORIENTATION
APPD.	P.M.JAVID	21.06.17	(STYLE-01)



**NOTE:**

- 01. ACTUATOR LEVER IS IN THE OPPOSITE SIDE
- 02. ACTUATOR OPEN IS IN THE ANTI-CLOCKWISE DIRECTION AS PER THE ABOVE VIEW.

DRN.	P.SARAVANAN	21.06.17	TITLE
CHD.	PRASANNA	21.06.17	ACTUATOR ORIENTATION (STYLE-02)
APPD.	P.M.JAVID	21.06.17	