



BHARAT HEAVY ELECTRICALS LIMITED
IVP GOINDWAL SAHIB
MM DEPARTMENT

Date: 12.11.2022

Corrigendum - II

Reference: Tender Enquiry no. 2223-051E dated 28.10.2022 for “Supply of CF3M castings”.

S1 Scope of Supply

CF3M castings to be procured in the tender enquiry are revised as below:

Material Code	Description	Qty (Kg)
G92110280000	CF3M- UPTO C500 CASTING	1942
G92110410000	CF3M CASTING (<500KG) with IGC testing	15146

The tender quantity may vary by $\pm 10\%$ (weight wise).

Rate schedule given above represents all castings under respective class range. This rate schedule is for tendering purpose only. Actual PO will be released as per material codes and unit weights given in [TABLE I] given below. List of items is a probable list. New material codes / size can be added from time to time for similar type of castings in this list. For the new material codes / size, purchase order shall be released on the successful L1 bidder on mutual consent basis.

Table-I

Sr. No.	MATL_NO	DESCRIPTION	Drawing No.	IGC / Non IGC	Revised tender qty	Unit SAP/ Established Weight	Total Weight
1	922062260000	ARM_2_C150_FV_CF3M (IGC)-Z137	2V000014084R	IGC	4	0.75	3.00
2	922062200000	BODY_2_C150_FV_FL_CF3M (IGC)-Z	2V000006391R	IGC	4	20.8	83.20
3	922062280000	COVER_2_C150_FV_CF3M (IGC)-Z13	3V000024280R	IGC	4	8.2	32.80
4	922062240000	FLAP_2_C150_FV_CF3M (IGC)-Z137	3V000095062R	IGC	4	1.84	7.36
5	922062310000	ROD DIA40X26-CF3M (IGC) - UB17	4V000027472R	IGC	28	0.26	7.28
6	922062220000	SEAT RING_2_C150_FV_CF3M (IGC)	3V000035217R	IGC	4	0.9	3.60
7	922062270000	ARM_3_C150_FV_CF3M (IGC)-UB17	2V000014084R	IGC	24	0.9	21.60
8	922039640000	ARM_3_C150_FV_CF3M-Z120	2V000014084R		1	0.9	0.90
9	922038840000	BODY_3_C150_FV_BW_CF3M-Z122	2V000013884R		1	31.83	31.83
10	922062210000	BODY_3_C150_FV_FL_CF3M (IGC)-U	2V000006131R	IGC	24	35.5	852.00
11	922062290000	COVER_3_C150_FV_CF3M (IGC)-UB1	4V000026236R	IGC	24	12.82	307.68



BHARAT HEAVY ELECTRICALS LIMITED
IVP GOINDWAL SAHIB
MM DEPARTMENT

Date: 12.11.2022

Sr. No.	MATL_NO	DESCRIPTION	Drawing No.	IGC / Non IGC	Revised tender qty	Unit SAP/ Established Weight	Total Weight
12	922038530000	COVER_3_C150_FV_CF3M-Z120	3V000017688R		1	12.82	12.82
13	922039630000	FLAP_3_C150/C300_FV_CF3M-Z120	3V000095062R		1	1.84	1.84
14	922062250000	FLAP_3_C150_FV_CF3M (IGC) - UB17	3V000095062R	IGC	24	1.84	44.16
15	922039650000	ROD DIA40X26-CF3M-Z120	4V000027472R		1	0.26	0.26
16	922062230000	SEAT RING_3_C150_FV_CF3M (IGC)	3V000035217R	IGC	24	1.16	27.84
17	922039620000	SEAT RING-3-C150-FV-CF3M-Z120	3V000035217R		1	1.16	1.16
18	922038940000	BODY_4_C150_FV_BW_CF3M-Z129	2V000013501R		1	46	46.00
19	922038930000	COVER_4_C150_FV_CF3M-Z129	3V000023268R		1	17.3	17.30
20	922039020000	ARM_8_C150/C300_FV_CF3M - Z124	2V000014084R		1	7.3	7.30
21	922038990000	BODY_8_C150_FV_BW_CF3M-Z124	2V000008500R		1	114	114.00
22	922039030000	COVER_8_C150_FV_CF3M-Z124	4V000026409R		1	50.7	50.70
23	922039000000	FLAP_8_C150/C300_FV_CF3M-Z124	3V000095062R		1	16.17	16.17
24	922039760000	ROD-CF3M-Z200	4V000027472R		6	2.94	17.64
25	922039010000	SEAT RING-8-C150-FV-CF3M-Z124	3V000035217R		1	5.7	5.70
26	922039050000	ARM_4_C150/C300_FV_CF3M-Z125	2V000014084R		2	2	4.00
27	922039040000	BODY_4_C300_FV_BW_CF3M-Z125	2V000007855R		1	54.8	54.80
28	922039060000	COVER_4_C300_FV_CF3M-Z125	3V000023269R		1	21	21.00
29	922039100000	FLAP_4_C150/C300_FV_CF3M-Z129	3V000095062R		2	3.39	6.78
30	922039780000	ROD-CF3M-Z125	4V000027472R		4	0.43	1.72
31	922039070000	BODY_6_C300_FV_BW_CF3M-Z126	2V000013504R		1	95	95.00
32	922038550000	COVER_6_C150/C300_FV_CF3M-Z121	3V000017688R		1	32.1	32.10
33	922039690000	ROD DIA70X40-CF3M-Z121	4V000027472R		1	1.2	1.20
34	922039080000	SEAT RING-6-C300-FV-CF3M-Z126	3V000035217R		1	3.7	3.70
35	922062710000	BACK SEAT BUSH-UB21 (IGC)	4V000027452R	IGC	94	0.26	24.44
36	922062380000	BODY_2_C150_GV_FL_CF3M (IGC)-U	2V000005873R	IGC	50	15.1	755.00
37	922062300000	SEAT RING 2-C300-GV-CF3M (IGC)	3V000035217R	IGC	188	0.9	169.20
38	922062410000	WEDGE_2_C150/C300_CF3M (IGC)-U	3V000006628R	IGC	94	1.7	159.80
39	922062390000	YOKE-BONNET_2_C150_GV_CF3M (IGC)	2V000006107R	IGC	50	9.2	460.00



BHARAT HEAVY ELECTRICALS LIMITED
IVP GOINDWAL SAHIB
MM DEPARTMENT

Date: 12.11.2022

Sr. No.	MATL_NO	DESCRIPTION	Drawing No.	IGC / Non IGC	Revised tender qty	Unit SAP/ Established Weight	Total Weight
40	922062430000	BODY_3_C150_GV_FL_CF3M (IGC)-U	2V000005872R	IGC	65	26.5	1722.50
41	922062440000	SEAT RING 3-C150-GV-CF3M (IGC)	3V000035217R	IGC	130	1.1	143.00
42	922062450000	WEDGE_3_C150_CF3M (IGC)-UB23	3V000006598R	IGC	65	3.08	200.20
43	922062460000	YOKE- BONNET_3_C150_GV_CF3M (IGC)	2V000005937R	IGC	65	12.7	825.50
44	922038760000	BODY_4_C150_GV_BW_CF3M-NK76	2V000007944R		4	36	144.00
45	922062470000	BODY_4_C150_GV_FL_CF3M (IGC)-U	2V000005877R	IGC	19	42.75	812.25
46	922062480000	SEAT RING-4-150-GV-CF3M (IGC)-	3V000035217R	IGC	38	1.8	68.40
47	922039320000	SEAT RING-4-150-GV-FL-HW-CF3M-	3V000035217R		4	1.8	7.20
48	922062490000	WEDGE_4_C150_CF3M (IGC)-UB24	2V000003379R	IGC	19	5.5	104.50
49	922039350000	WEDGE_4_C150_CF3M-NK77	2V000003379R		6	5.5	33.00
50	922062500000	YOKE- BONNET_4_C150_GV_CF3M (IGC)	2V000005925R	IGC	19	18.85	358.15
51	922038510000	YOKE- BONNET_4_C150_GV_CF3M-NK0	2V000005925R		4	18.85	75.40
52	922062720000	BACK SEAT BUSH-UB24 (IGC)	4V000027452R	IGC	113	0.26	29.38
53	922038790000	BODY_6_C150_GV_BW_CF3M-NP81	2V000014166R		3	45	135.00
54	922062510000	BODY_6_C150_GV_FL_CF3M (IGC)-U	2V000013591R	IGC	8	46.13	369.04
55	922062520000	SEAT RING-6-C150-GV-CF3M (IGC)	3V000035217R	IGC	16	2.6	41.60
56	922062530000	WEDGE_6_C150_CF3M (IGC)-UB25	2V000013610R	IGC	8	6.9	55.20
57	922039420000	WEDGE_6_C150_CF3M-NP81	2V000013610R		8	6.9	55.20
58	922062540000	YOKE- BONNET_6_C150_GV_CF3M (IGC)	2V000014171R	IGC	8	19.67	157.36
59	922038500000	YOKE- BONNET_6_C150_GV_CF3M-NP7	2V000014171R		3	19.67	59.01
60	922062730000	BACK SEAT BUSH-UB26 (IGC)	4V000027452R	IGC	47	0.88	41.36
61	922038800000	BODY_8_C150_GV_BW_CF3M-NP82	2V000014162R		1	62.1	62.10
62	922062550000	BODY_8_C150_GV_FL_CF3M (IGC)-N	2V000013609R	IGC	16	78	1248.00
63	922062560000	SEAT RING-8-C150-GV-CF3M (IGC)	3V000035217R	IGC	32	1.8	57.60
64	922062580000	WEDGE_8_C150_CF3M (IGC)-UB26	2V000013624R	IGC	16	13.7	219.20



BHARAT HEAVY ELECTRICALS LIMITED
IVP GOINDWAL SAHIB
MM DEPARTMENT

Date: 12.11.2022

Sr. No.	MATL_NO	DESCRIPTION	Drawing No.	IGC / Non IGC	Revised tender qty	Unit SAP/ Established Weight	Total Weight
65	922039430000	WEDGE_8_C150_CF3M-NP82	2V000013624R		1	13.7	13.70
66	922038860000	YOKE- BONNET_8_C150_GV_HO_CF3M-	2V000014163R		1	25.93	25.93
67	922062570000	YOKE- BONNET_8_C150_GV_HO_CF3M (IGC)-UB26	2V000014163R	IGC	16	25.93	414.88
68	922039550000	BACK SEAT-CF3M-NP76	4V000027452R		4	1.1	4.40
69	922038780000	BODY_10_C150_GV_BW_CF3M- NP83	2V000014151R		1	100	100.00
70	922039370000	SEAT RING-10-C150-GV-CF3M- NP83	3V000035217R		2	6.6	13.20
71	922039380000	WEDGE_10_C150_CF3M-NP83	2V000013687R		1	20.6	20.60
72	922039500000	YOKE- BONNET_10_C150_GV_HO_CF3M	2V000014152R		1	43.9	43.90
73	922062400000	BODY_2_C300_GV_FL_CF3M (IGC)-N	2V000006012R	IGC	44	22.7	998.80
74	922062420000	YOKE- BONNET_2_C300_GV_CF3M (IGC)	2V000006099R	IGC	44	12	528.00
75	922038830000	BODY_4_C300_GV_BW_CF3M- NK79	2V000006116R		1	46.7	46.70
76	922039360000	WEDGE_4_C300_CF3M-NK79	2V000003436R		1	6.3	6.30
77	922039570000	YOKE- BONNET_4_C300_GV_CF3M-NK7	2V000005935R		1	24.4	24.40
78	922062320000	BODY_2_C300_RV_FL_CF3M (IGC)-P	2V000008237R	IGC	21	23	483.00
79	922062630000	DISC_2_C300_CF3M (IGC)-P883	4V000027464R	IGC	21	2.38	49.98
80	922062590000	SEAT RING-2_C300_SV_CF3M (IGC)	3V000035217R	IGC	21	0.9	18.90
81	922062330000	YOKE- BONNET_2_C300_SV_CF3M-P88 (IGC)	2V000001776R	IGC	21	12	252.00
82	922038700000	BODY_3_C300_RV_BW_CF3M- P777	2V000007850R		2	34	68.00
83	922062340000	BODY_3_C300_RV_FL_CF3M (IGC)-U	2V000008245R	IGC	27	46.5	1255.50
84	922062640000	DISC_3_C300_CF3M (IGC)-P884	4V000027464R	IGC	27	3.78	102.06
85	922062600000	SEAT RING-3_C300_SV_CF3M (IGC)	3V000035217R	IGC	27	2.93	79.11
86	922038430000	YOKE- BONNET_3_C300_RV_CF3M-P76	2V000014085R		2	23.43	46.86
87	922062350000	YOKE- BONNET_3_C300_SV_CF3M-UB1 (IGC)	2V000014085R	IGC	27	23.43	632.61
88	922039110000	BODY_4_C300_RV_BW_CF3M- P778	1V000005193R		1	49	49.00
89	922062360000	BODY_4_C300_RV_FL_CF3M (IGC)-U	1V000005148R	IGC	4	72	288.00



BHARAT HEAVY ELECTRICALS LIMITED
IVP GOINDWAL SAHIB
MM DEPARTMENT

Date: 12.11.2022

Sr. No.	MATL_NO	DESCRIPTION	Drawing No.	IGC / Non IGC	Revised tender qty	Unit SAP/ Established Weight	Total Weight
90	922062650000	DISC_4_C300_CF3M (IGC)-P885	4V000027464R	IGC	4	5.78	23.12
91	922062610000	SEAT RING-4_C300_SV_CF3M (IGC)	3V000035217R	IGC	4	4.2	16.80
92	922039140000	SEAT RING-4-C300-RV-CF3M-P778	3V000035217R		1	4.2	4.20
93	922038410000	YOKE- BONNET_4_C300_RV_CF3M-P76	2V000003153R		2	27	54.00
94	922062370000	YOKE- BONNET_4_C300_SV_CF3M-UB2 (IGC)	2V000003153R	IGC	4	27	108.00
95	922039720000	BACK SEAT BUSH-P779	4V000027452R		1	1.17	1.17
96	922038890000	RING-CF3M-P779	4V000027466R		1	4.3	4.30
97	922060120000	BACK SEAT BUSH-P831	4V000027452R		1	1.93	1.93
98	922060080000	BODY_8_C300_RV_BW_CF3M-P831	1V000005210R		1	164.5	164.50
99	922060100000	DISC_8_C300_CF3M-P831	4V000027464R		1	26.5	26.50
100	922060130000	RING-CF3M-P831	4V000027466R		1	5.96	5.96
101	922060090000	SEAT RING-8-C300-SV-CF3M-P831	3V000035217R		1	9.66	9.66
102	922060110000	YOKE- BONNET_8_C300_RV_CF3M-P83	2V000002419R		1	92	92.00
103	922062760000	BODY_4_C150_FV_FL_CF3M (IGC)-Z138	2VZ13806094R	IGC	6	55.8	334.80
104		SEAT RING-4-C150-FV-CF3M-Z129	3VZ12935217R	IGC	6	2	12.00
105		FLAP_4_C150/C300_FV_CF3M-Z129	3VZ12995062R	IGC	6	3.39	20.34
106		ARM_4_C150/C300_FV_CF3M-Z125	2VZ12514084R	IGC	6	2	12.00
107		COVER_4_C150_FV_CF3M-Z129	3VZ12923268R	IGC	6	17.3	103.80

Due date of submission of quotations of above referred tender enquiry has been extended up to 17.11.2022 at 1200 Hrs. Tender will be opened on 17.11.2022 at 1530 Hrs.

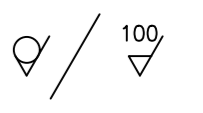
All other tender terms and conditions remain the same.

List of items along with Established Weight

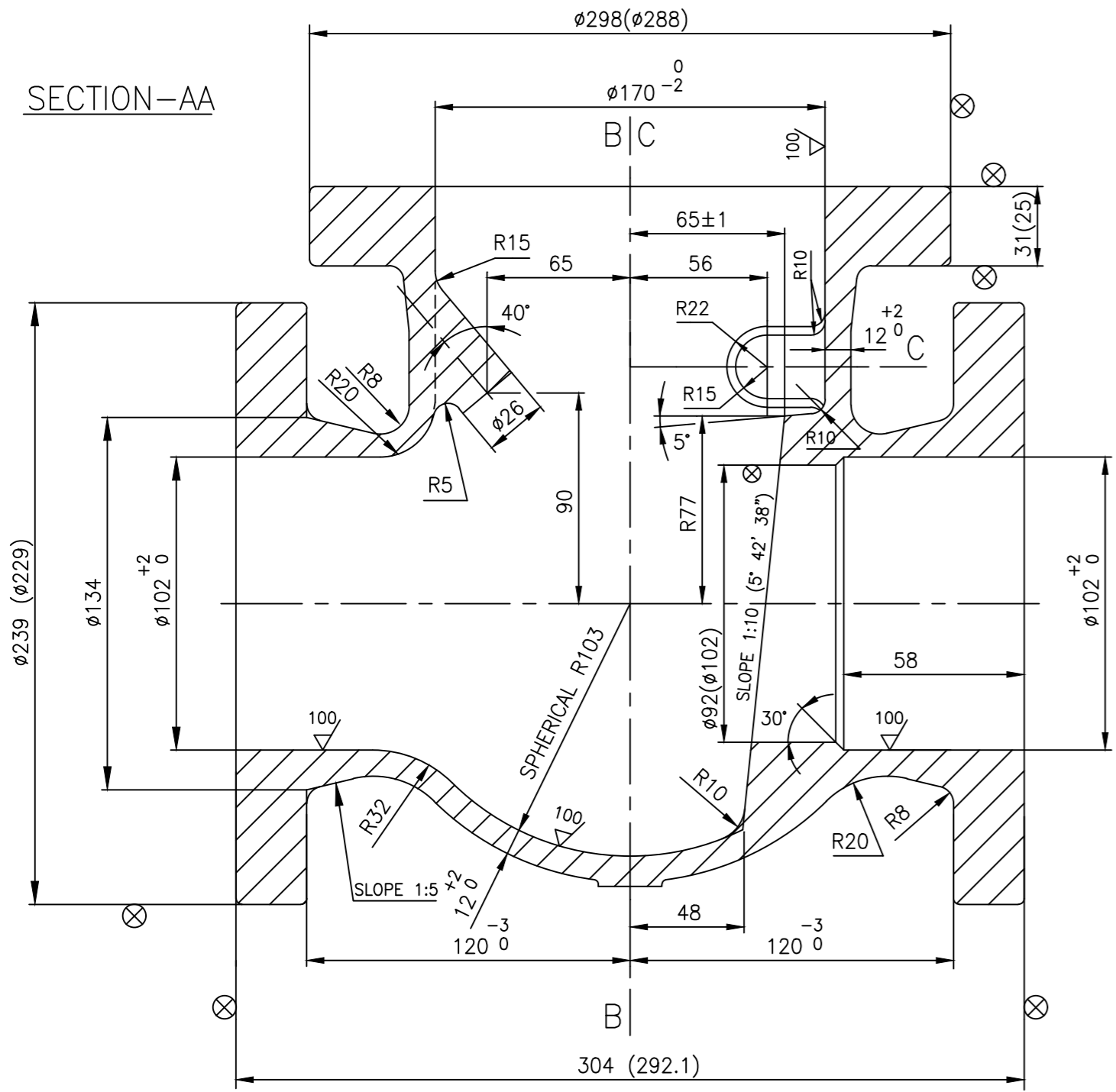
Sr. No.	MATL_NO	DESCRIPTION	Drw. No.	IGC/ Non IGC	Revised tender qty	Established Weight	Total Weight
2	92206220000	BODY_2_C150_FV_FL_CF3M (IGC)-Z	2V000006391R	IGC	4	20.8	83.20
3	92206228000	COVER_2_C150_FV_CF3M (IGC)-Z13	3V000024280R	IGC	4	8.2	32.80
4	92206224000	FLAP_2_C150_FV_CF3M (IGC)-Z137	3V000095062R	IGC	4	1.84	7.36
9	92203884000	BODY_3_C150_FV_BW_CF3M-Z122	2V000013884R		1	31.83	31.83
10	92206221000	BODY_3_C150_FV_FL_CF3M (IGC)-U	2V000006131R	IGC	24	35.5	852.00
11	92206229000	COVER_3_C150_FV_CF3M (IGC)-UB1	4V000026236R	IGC	24	12.82	307.68
12	92203853000	COVER_3_C150_FV_CF3M-Z120	3V000017688R		1	12.82	12.82
13	92203963000	FLAP_3_C150/C300_FV_CF3M-Z120	3V000095062R		1	1.84	1.84
14	92206225000	FLAP_3_C150_FV_CF3M (IGC)-UB17	3V000095062R	IGC	24	1.84	44.16
18	92203894000	BODY_4_C150_FV_BW_CF3M-Z129	2V000013501R		1	46	46.00
19	92203893000	COVER_4_C150_FV_CF3M-Z129	3V000023268R		1	17.3	17.30
21	92203899000	BODY_8_C150_FV_BW_CF3M-Z124	2V000008500R		1	114	114.00
22	92203903000	COVER_8_C150_FV_CF3M-Z124	4V000026409R		1	50.7	50.70
23	92203900000	FLAP_8_C150/C300_FV_CF3M-Z124	3V000095062R		1	16.17	16.17
27	92203904000	BODY_4_C300_FV_BW_CF3M-Z125	2V000007855R		1	54.8	54.80
28	92203906000	COVER_4_C300_FV_CF3M-Z125	3V000023269R		1	21	21.00
29	92203910000	FLAP_4_C150/C300_FV_CF3M-Z129	3V000095062R		2	3.39	6.78
31	92203907000	BODY_6_C300_FV_BW_CF3M-Z126	2V000013504R		1	95	95.00
32	92203855000	COVER_6_C150/C300_FV_CF3M-Z121	3V000017688R		1	32.1	32.10
36	92206238000	BODY_2_C150_GV_FL_CF3M (IGC)-U	2V000005873R	IGC	50	15.1	755.00
38	92206241000	WEDGE_2_C150/C300_CF3M (IGC)-U	3V000006628R	IGC	94	1.7	159.80
39	92206239000	YOKE-BONNET_2_C150_GV_CF3M (IGC)	2V000006107R	IGC	50	9.2	460.00
40	92206243000	BODY_3_C150_GV_FL_CF3M (IGC)-U	2V000005872R	IGC	65	26.5	1722.50
41	92206244000	SEAT RING 3-C150-GV-CF3M (IGC)	3V000035217R	IGC	130	1.1	143.00
42	92206245000	WEDGE_3_C150_CF3M (IGC)-UB23	3V000006598R	IGC	65	3.08	200.20
43	92206246000	YOKE-BONNET_3_C150_GV_CF3M (IGC)	2V000005937R	IGC	65	12.7	825.50
44	92203876000	BODY_4_C150_GV_BW_CF3M-NK76	2V000007944R		4	36	144.00
45	92206247000	BODY_4_C150_GV_FL_CF3M (IGC)-U	2V000005877R	IGC	19	42.75	812.25
46	92206248000	SEAT RING-4-150-GV-CF3M (IGC)-	3V000035217R	IGC	38	1.8	68.40
47	92203932000	SEAT RING-4-150-GV-FL-HW-CF3M-	3V000035217R		4	1.8	7.20
48	92206249000	WEDGE_4_C150_CF3M (IGC)-UB24	2V000003379R	IGC	19	5.5	104.50
49	92203935000	WEDGE_4_C150_CF3M-NK77	2V000003379R		6	5.5	33.00
50	92206250000	YOKE-BONNET_4_C150_GV_CF3M (IGC)	2V000005925R	IGC	19	18.85	358.15
51	92203851000	YOKE-BONNET_4_C150_GV_CF3M-NK0	2V000005925R		4	18.85	75.40
53	92203879000	BODY_6_C150_GV_BW_CF3M-NP81	2V000014166R		3	45	135.00
54	92206251000	BODY_6_C150_GV_FL_CF3M (IGC)-U	2V000013591R	IGC	8	46.13	369.04
56	92206253000	WEDGE_6_C150_CF3M (IGC)-UB25	2V000013610R	IGC	8	6.9	55.20
57	92203942000	WEDGE_6_C150_CF3M-NP81	2V000013610R		8	6.9	55.20
58	92206254000	YOKE-BONNET_6_C150_GV_CF3M (IGC)	2V000014171R	IGC	8	19.67	157.36
59	92203850000	YOKE-BONNET_6_C150_GV_CF3M-NP7	2V000014171R		3	19.67	59.01
61	92203880000	BODY_8_C150_GV_BW_CF3M-NP82	2V000014162R		1	62.1	62.10
62	92206255000	BODY_8_C150_GV_FL_CF3M (IGC)-N	2V000013609R	IGC	16	78	1248.00
64	92206258000	WEDGE_8_C150_CF3M (IGC)-UB26	2V000013624R	IGC	16	13.7	219.20
65	92203943000	WEDGE_8_C150_CF3M-NP82	2V000013624R		1	13.7	13.70
66	92203886000	YOKE-BONNET_8_C150_GV_HO_CF3M-	2V000014163R		1	25.93	25.93
67	92206257000	YOKE-BONNET_8_C150_GV_HO_CF3M (IGC)-UB26	2V000014163R	IGC	16	25.93	414.88
69	92203878000	BODY_10_C150_GV_BW_CF3M-NP83	2V000014151R		1	100	100.00
71	92203938000	WEDGE_10_C150_CF3M-NP83	2V000013687R		1	20.6	20.60
72	92203950000	YOKE-BONNET_10_C150_GV_HO_CF3M	2V000014152R		1	43.9	43.90
73	92206240000	BODY_2_C300_GV_FL_CF3M (IGC)-N	2V000006012R	IGC	44	22.7	998.80
74	92206242000	YOKE-BONNET_2_C300_GV_CF3M (IGC)	2V000006099R	IGC	44	12	528.00

List of items along with Established Weight

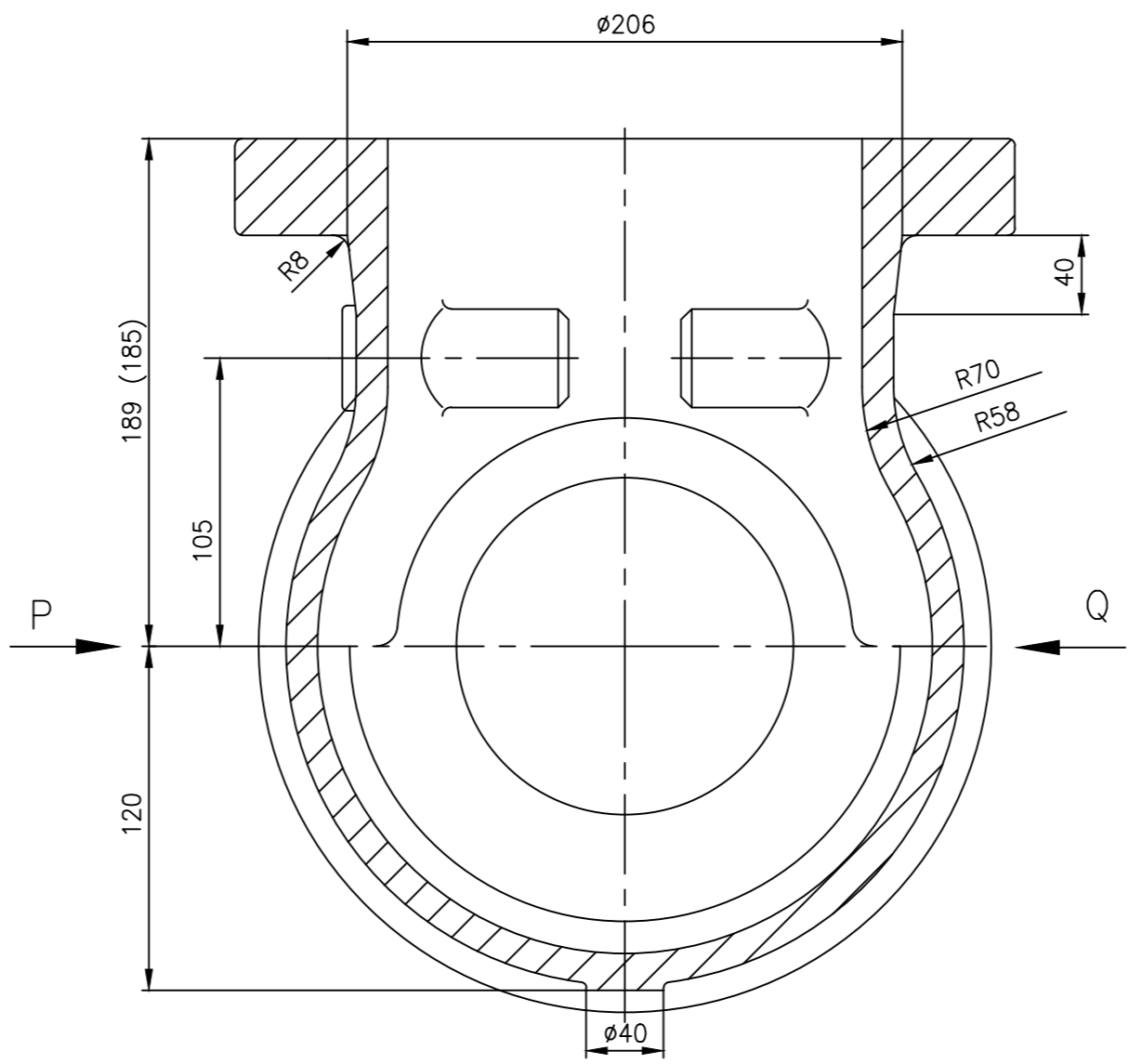
Sr. No.	MATL_NO	DESCRIPTION	Drw. No.	IGC/ Non IGC	Revised tender qty	Established Weight	Total Weight
75	922038830000	BODY_4_C300_GV_BW_CF3M-NK79	2V000006116R		1	46.7	46.70
76	922039360000	WEDGE_4_C300_CF3M-NK79	2V000003436R		1	6.3	6.30
77	922039570000	YOKE-BONNET_4_C300_GV_CF3M-NK7	2V000005935R		1	24.4	24.40
78	922062320000	BODY_2_C300_RV_FL_CF3M (IGC)-P	2V000008237R	IGC	21	23	483.00
81	922062330000	YOKE-BONNET_2_C300_SV_CF3M-P88 (IGC)	2V000001776R	IGC	21	12	252.00
82	922038700000	BODY_3_C300_RV_BW_CF3M-P777	2V000007850R		2	34	68.00
83	922062340000	BODY_3_C300_RV_FL_CF3M (IGC)-U	2V000008245R	IGC	27	46.5	1255.50
86	922038430000	YOKE-BONNET_3_C300_RV_CF3M-P76	2V000014085R		2	23.43	46.86
87	922062350000	YOKE-BONNET_3_C300_SV_CF3M-UB1 (IGC)	2V000014085R	IGC	27	23.43	632.61
88	922039110000	BODY_4_C300_RV_BW_CF3M-P778	1V000005193R		1	49	49.00
89	922062360000	BODY_4_C300_RV_FL_CF3M (IGC)-U	1V000005148R	IGC	4	72	288.00
93	922038410000	YOKE-BONNET_4_C300_RV_CF3M-P76	2V000003153R		2	27	54.00
94	922062370000	YOKE-BONNET_4_C300_SV_CF3M-UB2 (IGC)	2V000003153R	IGC	4	27	108.00
98	922060080000	BODY_8_C300_RV_BW_CF3M-P831	1V000005210R		1	164.5	164.50
102	922060110000	YOKE-BONNET_8_C300_RV_CF3M-P83	2V000002419R		1	92	92.00
103	922062760000	BODY_4_C150_FV_FL_CF3M (IGC)-Z138	2VZ13806094R	IGC	6	55.8	334.80
105		FLAP_4_C150/C300_FV_CF3M-Z129	3VZ12995062R	IGC	6	3.39	20.34
107		COVER_4_C150_FV_CF3M-Z129	3VZ12923268R	IGC	6	17.3	103.80



SECTION-AA



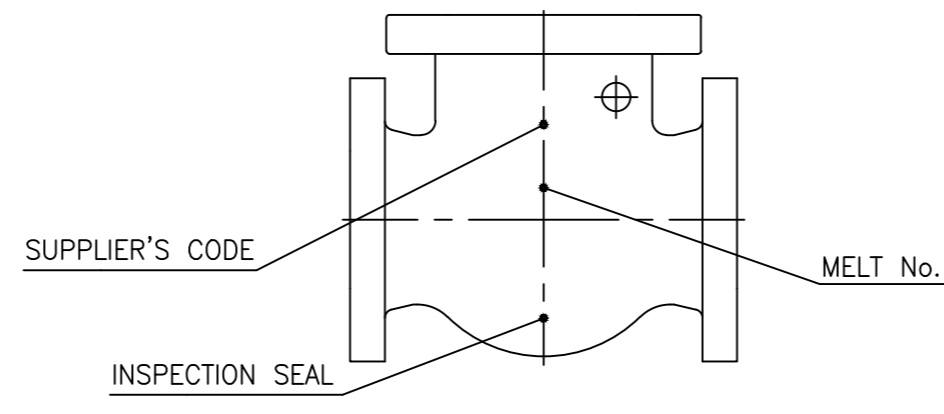
SECTION-BB



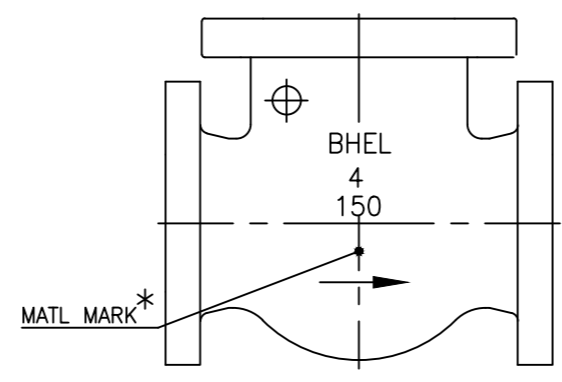
NOTES:-

1. NECESSARY MACHINING ALLOWANCES HAVE BEEN ADDED ON ALL MACHINABLE SURFACES
2. PERMISSIBLE DIMENSIONAL DEVIATIONS OF NON TOLERANCED CASTING DIMENSIONS - REFER LATEST APPLICABLE TDC
3. FINISHED MACHINED DIMENSIONS ARE INDICATED WITHIN BRACKETS FOR INFORMATION ONLY.
4. $\sqrt{100}$ CASTING SURFACES MUST BE HIGH QUALITY WITHOUT SURFACE UNEVENNESS
5. ALL DETAILS SHOWN IN VIEWS P & Q, EXCEPT MELT No. AND INSPECTION SEAL, ARE TO BE CAST.
6. CASTING SHALL COMPLY WITH THE REQUIREMENTS OF LATEST APPLICABLE TDC
7. UNSPECIFIED CASTING RADII 3 - 5 MM
8. HEIGHT OF CASTING LETTERS 20MM
9. ⊗ SURFACES TO BE MACHINED
10. THIS DRAWING IS DIMENSIONALLY IDENTICAL AND SIMILAR IN ALL RESPECTS TO THE DRAWING 1-V-5156-02776R EXCEPT MATERIAL SPECIFICATION.
11. # MARKED ITEMS IGC TEST SHALL BE CONDUCTED.

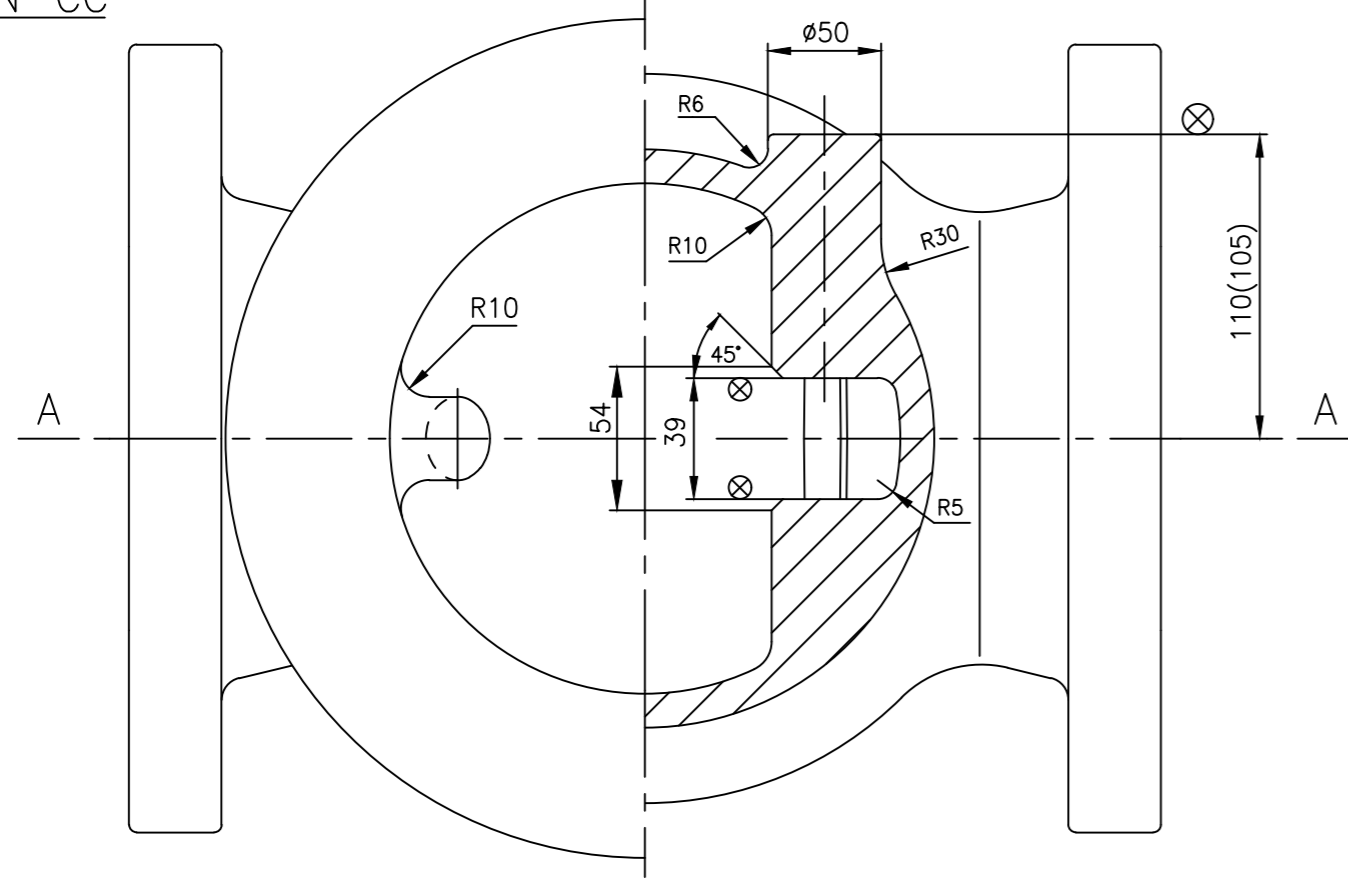
VIEW-Q



VIEW-P



SECTION-CC



CF3M	# 03	CASTING	-	SA351 CF3M (ATTEST)	SH	46	51.0	-	2.V.2138.06094R 92 206 276 0000	01
CF8	# 02	CASTING	-	SA351 CF8 (ATTEST)	SH	46	51.0	-	2.V.U935.06094R 92 203 697 0000	01
CF8	01	CASTING	-	SA351 CF8 (ATTEST)	SH	46	51.0	-	2.V.5197.06094R 92 200 468 0000	01
MATL MARK*	No OFF	DESCRIPTION	MATL CODE	MATL SPECN	HEAT TREATMENT	SCRAP SORT	NET WT (kg)	GROSS WT (kg)	DRAWING No. COMP. CODE	ITEM No
<p>TYPE OF PRODUCT OR NAME OF CUSTOMER/PROJECT</p> <p>BHARAT HEAVY ELECTRICALS LTD. UNIT: HIGH PRESSURE BOILER PLANT. TIRUCHIRAPALLI-620014.</p> <p>DRN K.P.LEON SIGN DATE 19.12.95 NO.OF VAR. CHD N.DHANAPAL 20.12.95 - APPD K.S.RAMAN 20.12.95</p> <p>DEPT VL SCALE WEIGHT (KG) REFERENCE INFORMATION NO. OF ITEMS CODE 320 NTS -</p> <p>TITLE BODY 4"-150C-FV CARD CODE U 01 DRAWING NO. 2-V-0000-06094R REV 02</p>										

DCP No.	ALTD: RPS	APPD: SSK	DCP No.	ALTD: RPS	APPD: KRS
-	CHD: MK	DT: 07.11.22	-	CHD: SSK	DT: 22.01.19
REV 02	SL. No. 03 INCLUDED.		REV 01	SL. No. 02 INCLUDED.	
ZONE -			ZONE -	NOTE No. 11 INCLUDED.	

CAUTION: The information on this document is the property of BHARAT HEAVY ELECTRICALS LTD. It must not be used directly or indirectly in any way detrimental to the interest of the company.