



ಭಾರತ್ ಹೆವಿ ಎಲೆಕ್ಟ್ರಿಕಲ್ಸ್ ಲಿಮಿಟೆಡ್  
भारत हेवी इलेक्ट्रिकल्स लिमिटेड

PHONE : 080 - 2218 2344

E-MAIL : pnsrivas@bhel.in

**Bharat Heavy Electricals Limited**

( A Government of India Undertaking)

**SOLAR BUISNESS DIVISION**

Prof. C.N.R. Rao Circle, Opp. Indian Institute of Science  
Malleshwaram, Bangalore-560012

**Corrigendum -1**

Dated: 16.02.2022

**Subject: "Works contract for construction of foundation for calciner chimney at BHEL-SBD Bengaluru".**

**Tender RFQ NO. 191184 Date: 11.02.2022**

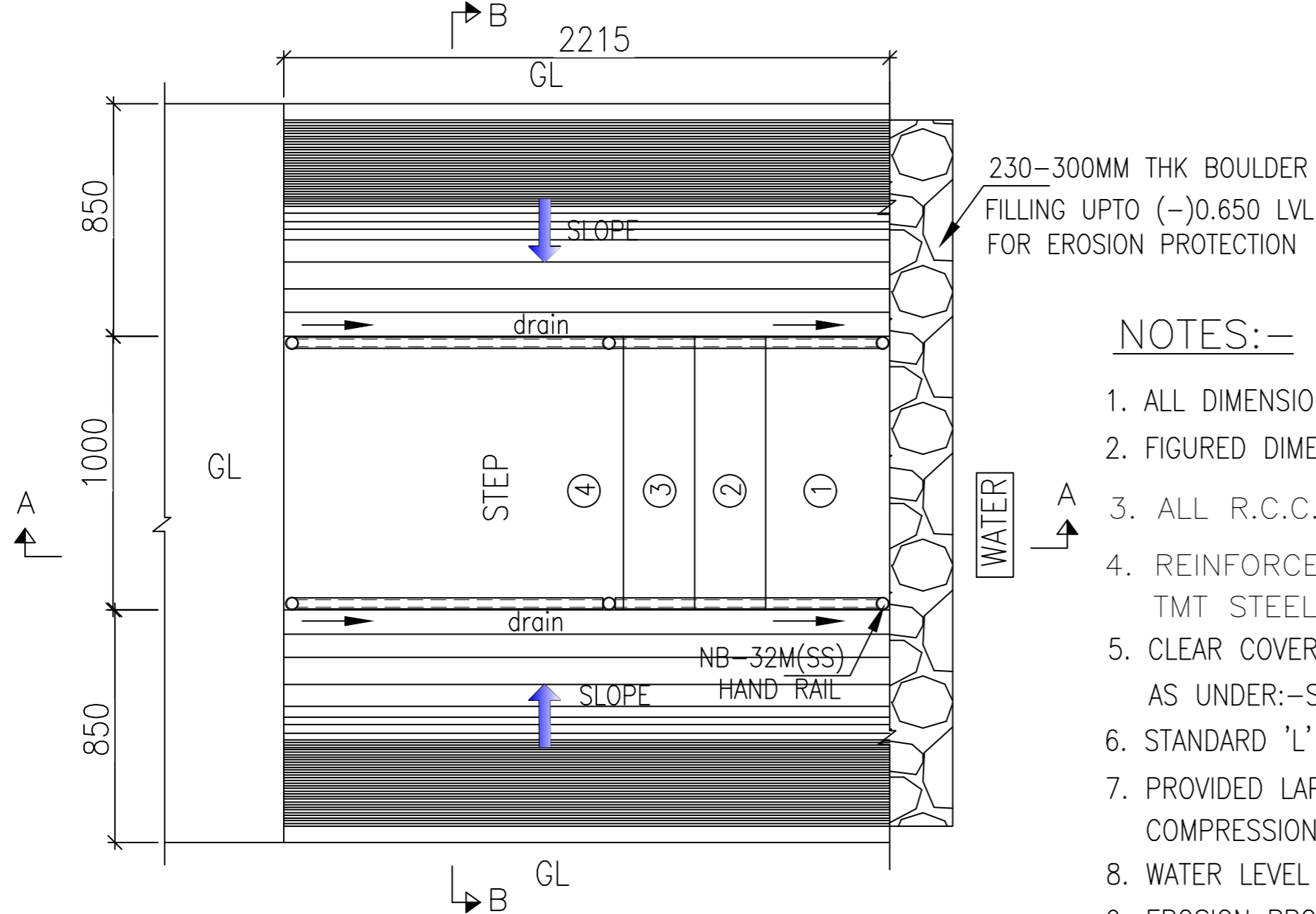
Bidders are requested to note the following revised due date for the subject tender.

Sl. No.	Description	Revised Date and Time
1	Last date and time for the submission of duly filled in tender document	Before 01:00 PM on 19.02.2022
2	Date and time of technical bid opening	On 19.02.2022; 02:30 PM

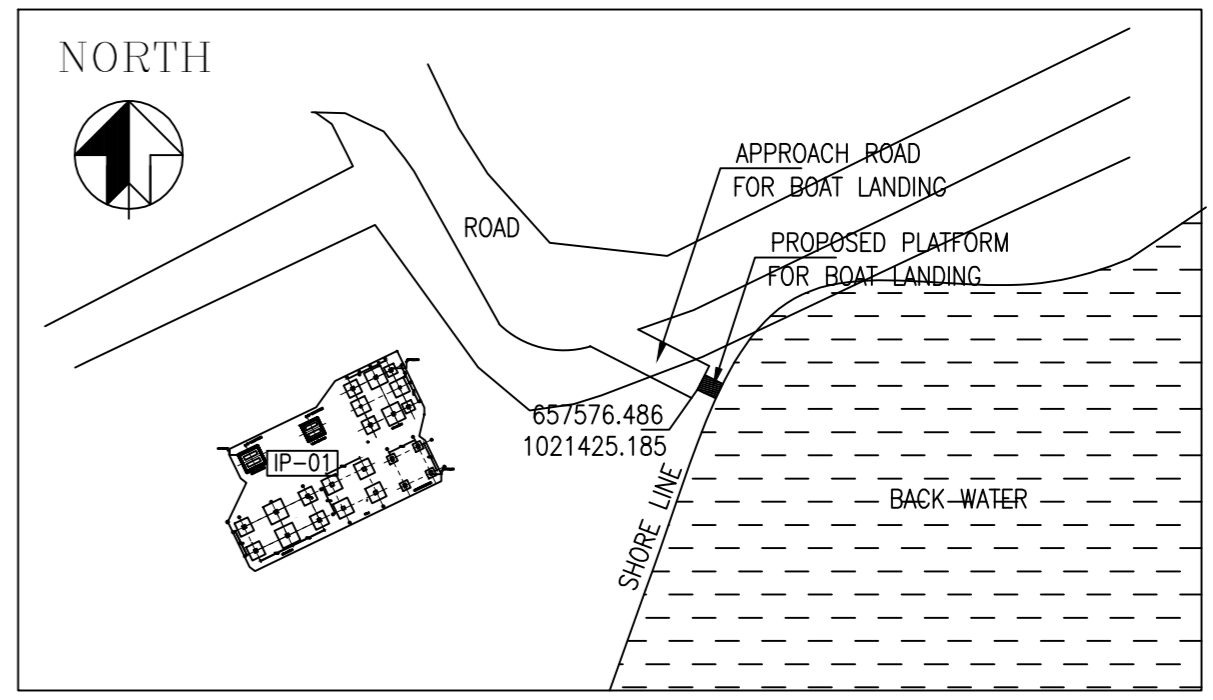
All other terms and conditions remain unaltered.

**For Bharat Heavy Electricals Limited,**

**Premnaraian Srivas**  
Dy.Engineer (SC&PV/Civil)



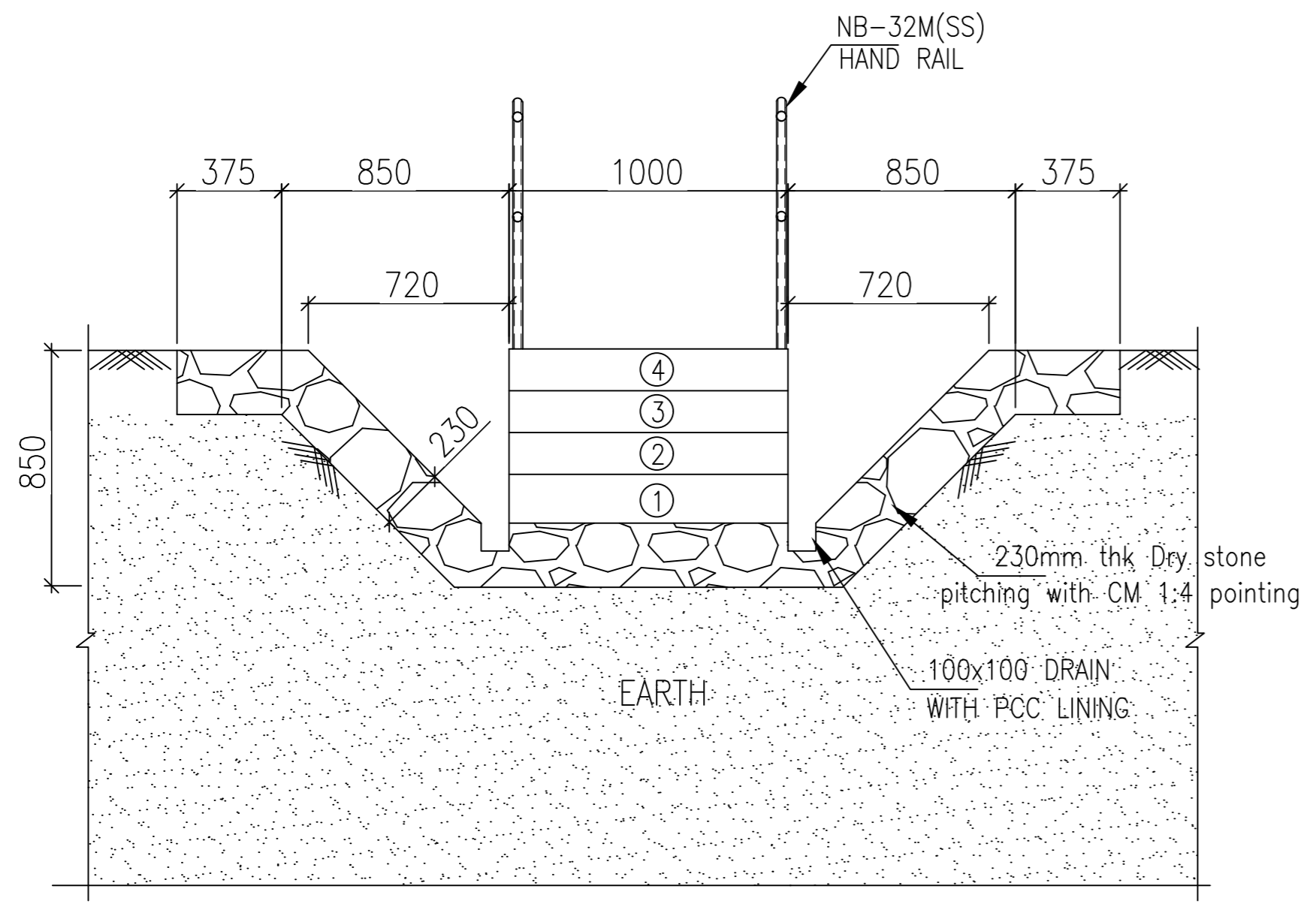
BOAT LANDING AREA PLAN@EL(±)0.00M



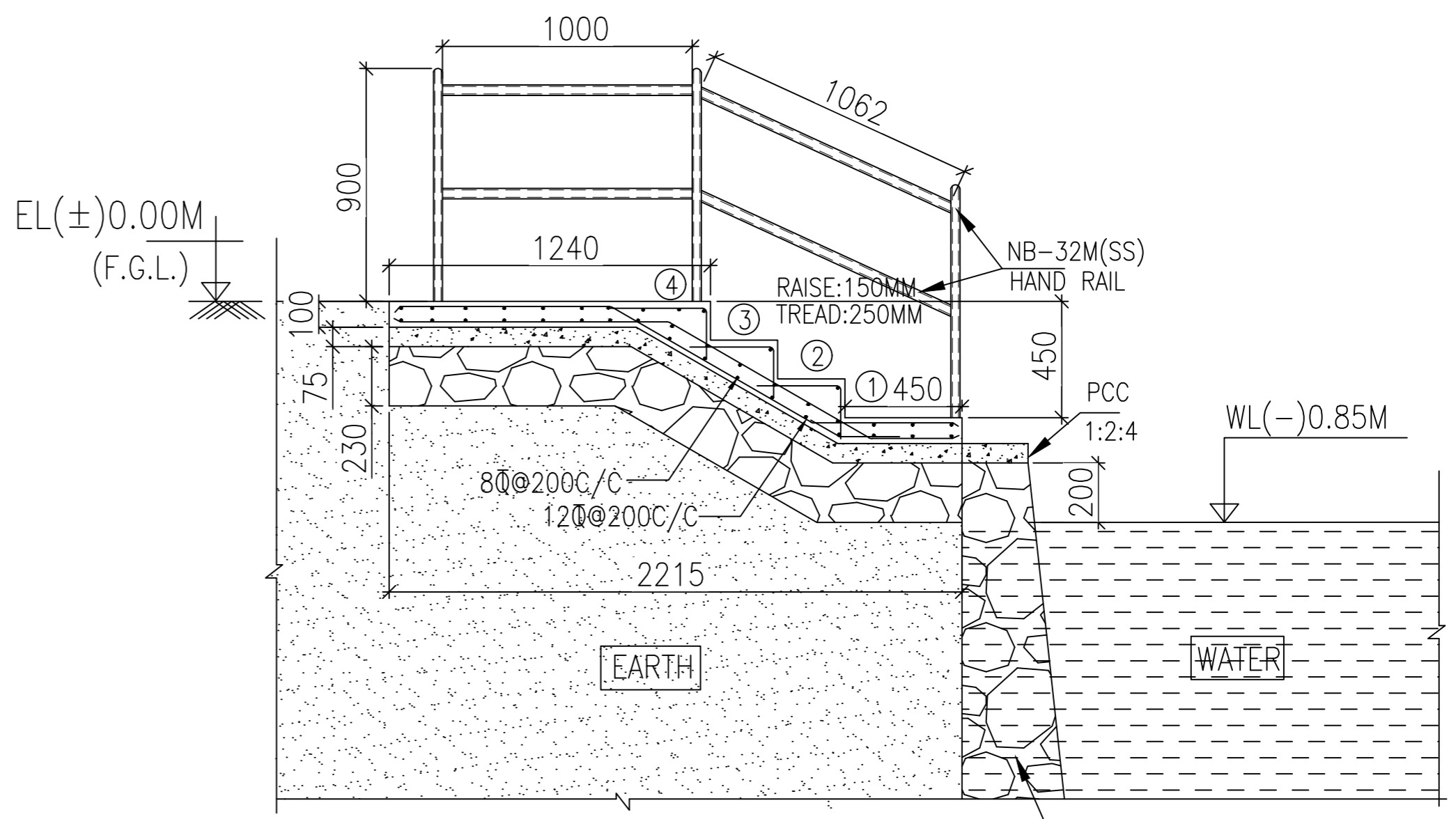
KEY PLAN

NOTES:-

1. ALL DIMENSIONS ARE IN MM & LEVELS ARE IN METRES.
2. FIGURED DIMENSIONS ONLY SHALL BE FOLLOWED.
3. ALL R.C.C. SHALL BE MIX M-30
4. REINFORCEMENT STEEL SHALL BE OF HIGH STRENGTH DEFORMED TMT STEEL BARS FE500/FE500D AND SHALL CONFORM TO IS: 1786.
5. CLEAR COVER TO REINF. INCLUDING LINKS FOR R.C.C MEMBERS SHALL BE AS UNDER:-SLAB=20mm
6. STANDARD 'L' HOOKS SHALL BE PROVIDED AT THE ENDS OF ALL BARS.
7. PROVIDED LAP LENGTH/DEVELOPMENT LENGTH 'Ld' FOR BOTH COMPRESSION AND TENSION MAIN R/F BAR SHALL BE=50XDIA OF BAR
8. WATER LEVEL VARIATION HAS BEEN CONSIDRED FROM (-)0.600M TO (-)1.00M
9. EROSION PROTECTION AT WATER & LAND JUNCTION SHALL BE DONE BY BOULDER FILLING.
10. SS/HDPE/FRP HANDRAIL WILL BE PROVIDED.
11. WATER LEVEL OF -0.800 TO -0.850 HAS BEEN MAINTAINED BY BHEL BY PROVIDING GATE SHUTTER IN THE WATER INLET.



SECTION-BB



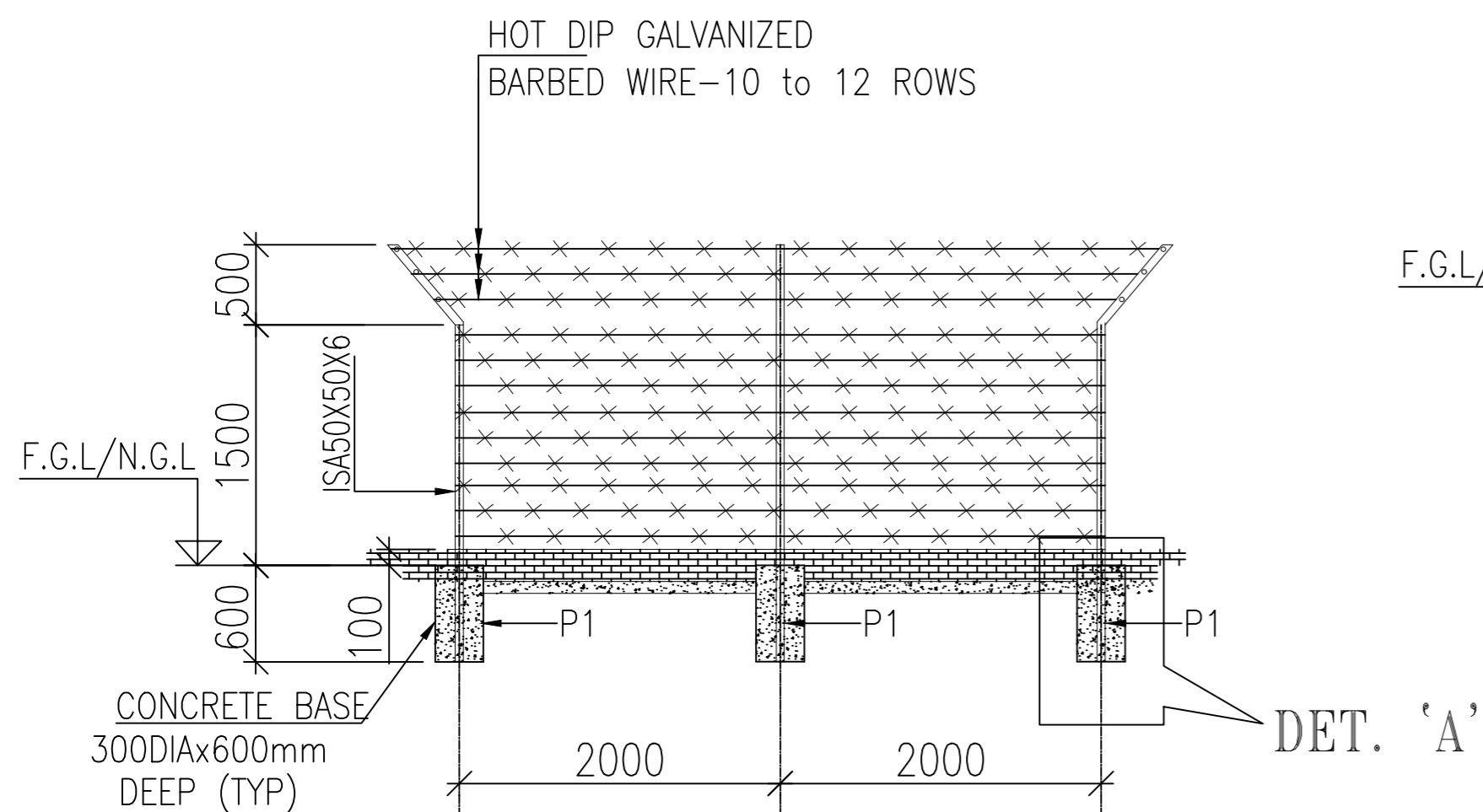
SECTION-AA

230-300MM THK BOULDER FILLING UPTO (-)0.650 LVL FOR EROSION PROTECTION

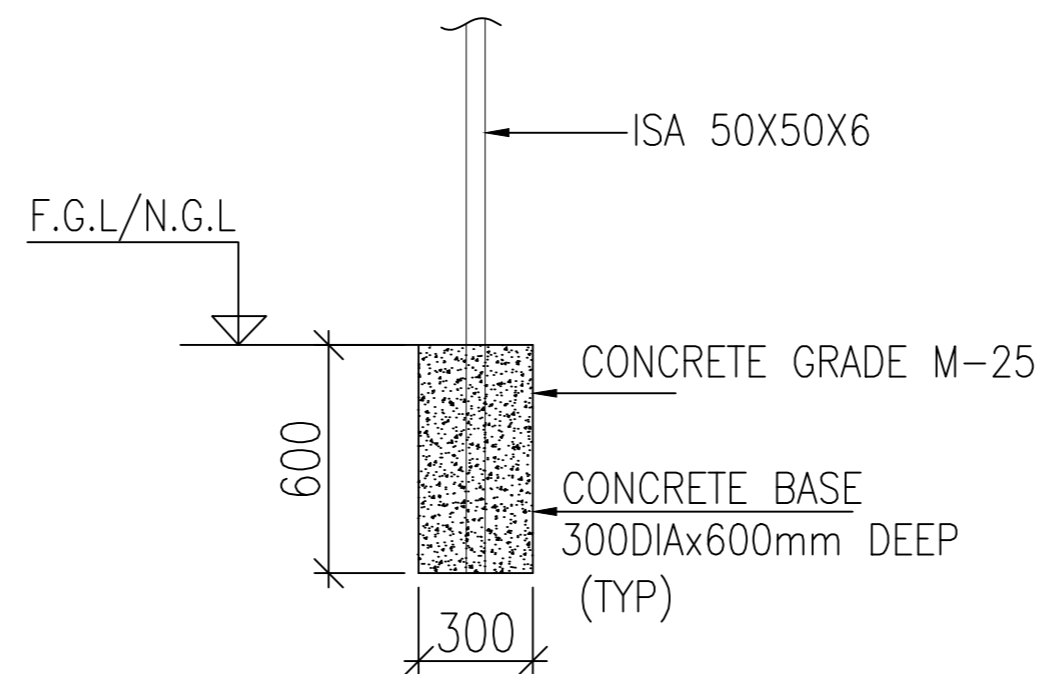
GENERAL ARRANGEMENT OF APPROACH PLATFORM FOR BOAT LANDING



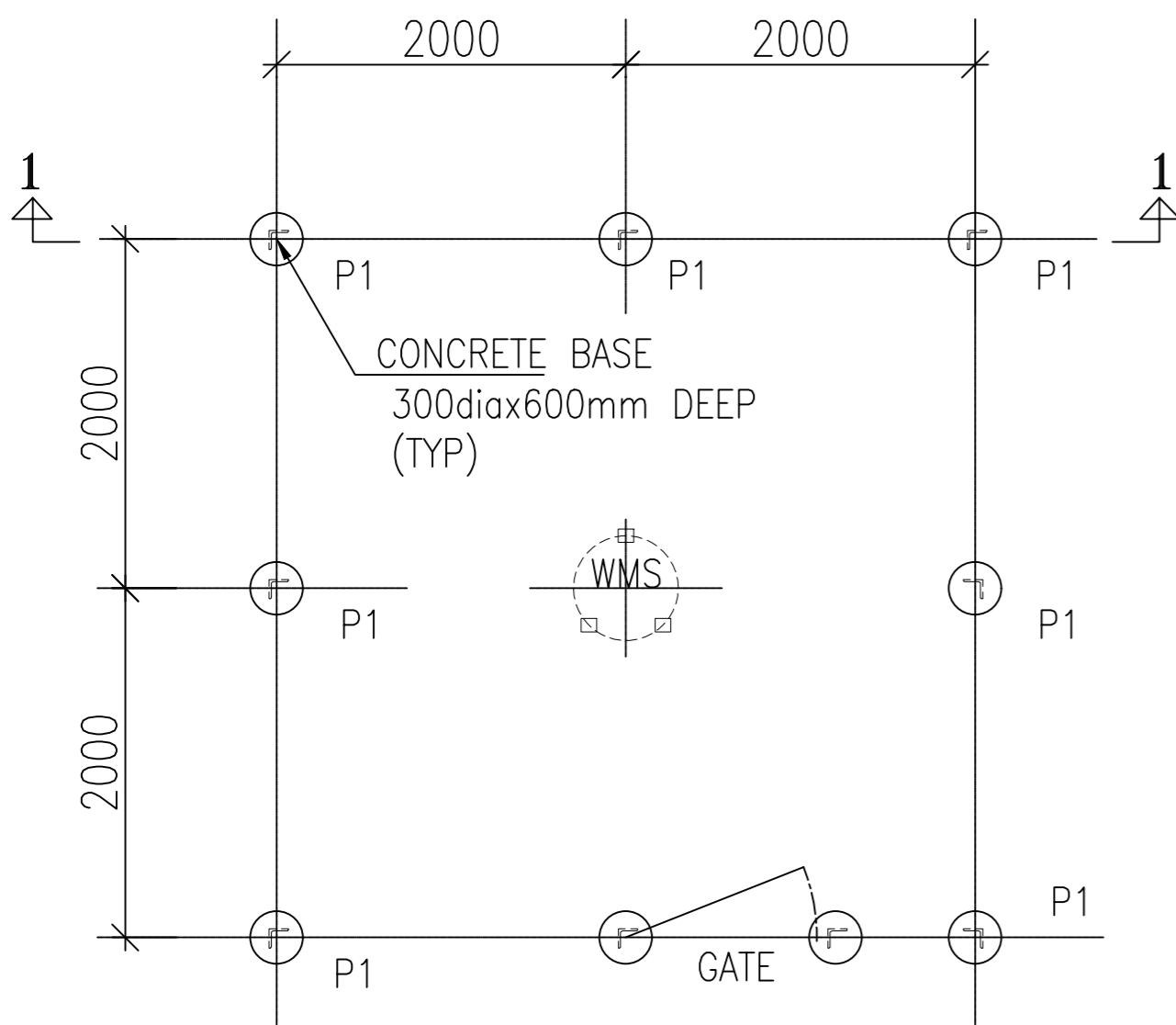
The information on this drawing is the property of BHARAT HEAVY ELECTRICALS LTD. It shall not be used for any other purpose without the written consent of the company.



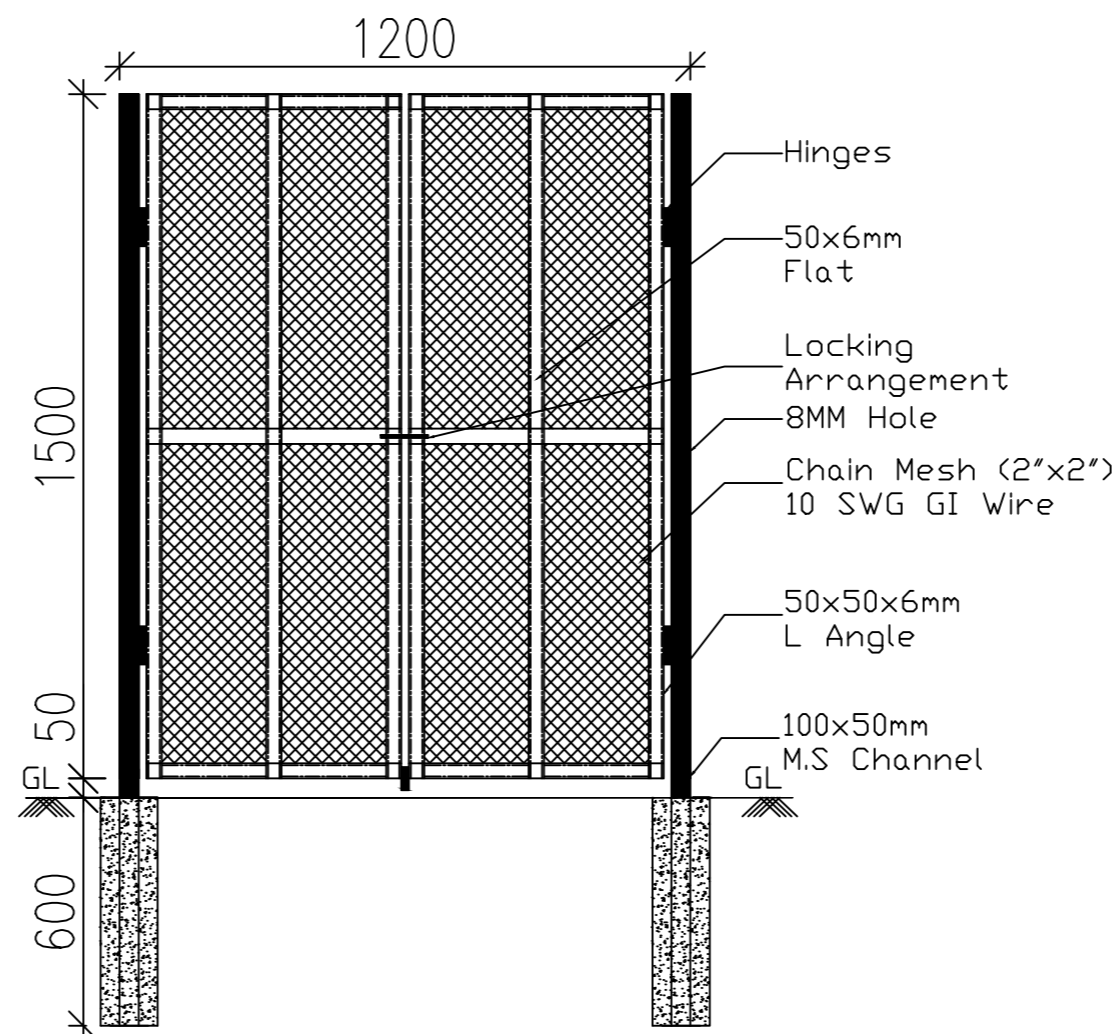
SECTION 1-1



DETAIL 'A'



PART PLAN AT FOUNDATION LEVEL  
FOR FENCING ONLY



1.2Mtr. wide Fencing Gate

**NOTES:-**

1. ALL DIMENSIONS ARE IN MM & LEVELS ARE IN METRES.
2. FIGURED DIMENSIONS ONLY SHALL BE FOLLOWED.
3. ALL CONCRETE SHALL BE GRADE M-30
4. CONCRETE COPING SHALL BE PAINTED (AFTER CLEANING) WITH CEMENT PAINT
5. NON-GALVANIZED METAL SURFACE/METAL SUPPORT SHALL BE PAINTED WITH ONE COAT OF PRIMER, TWO COAT OF SYNTHETIC ENAMAL PAINT.
6. BARBED WIRE SHALL BE HOT DIPPED GALVANIZED.
7. ORIENTATION & LOCATION OF GATE SUITS TO SITE.

**LEGEND:**

- F.G.L. - FINISHED GROUND LEVEL
- N.G.L. - NATURAL GROUND LEVEL
- F.F.L. - FINISHED FLOOR LEVEL
- T.O.C. - TOP OF CONCRETE
- THK. - THICKNESS
- TYP. - TYPICAL
- U.N.O. - UNLESS NOTED OTHERWISE
- CL - CENTER LINE

DEPT.	SC&PV
STATUS	CONTRACT
DISTRIBUTION	

PROJECT: **22MWac FOLATING SOLAR PV PLANT AT KAYAMKULAM, KERALA**

OWNER: **NTPC**

EPC CONTRACTOR: **BHARAT HEAVY ELECTRICALS LTD SOLAR BUSINESS DIVISION, BANGALORE**

TITLE: **BARBED WIRE FENCING & METAL GATE DETAILS FOR WMS**

REV.	DATE	ALTD	CHD	APPD	REV.	DATE	ALTD	CHD	APPD	REV.	DATE	ALTD	CHD	APPD	REV.	DATE	ALTD	CHD	APPD	
										0	14.06.22									

ISSUED FOR APPROVAL

SCALE 1:1	DRAWING NO. BHEL-KAY-WMS-FEN-001
SHEET 1 OF 1	REV. 00