



Bharat Heavy Electricals Limited

(A Govt. of India Undertaking)

Transmission Business Group

Materials Management, 5th Floor, Plot No.25,

Sector-16A, Noida, Uttar Pradesh, PIN No: 201301

Phone: 0120-6748543, Email: gaurav.agarwal@bhel.in

CORRIGENDUM - 02 TO NIT NO-83363

Dated 02-07-2024

Subject: Corrigendum-02 to Tender enquiry for Pre Bid Tie up with the GIS OEM for Supply & Services of 400KV GIS for 1X800MW UKAI TPP Tender/ Project.

Project : 1X800 MW Ukai TPP Extension Unit#7
Equipment / Item : Supply & Services of 400kV GIS
Enquiry No/Date : Enquiry No. 61Q2500151 dated 24-06-2024
BHEL NIT NO : 83363
Original Tender due date : 05-07-2024

This Corrigendum is issued by BHEL TBG against above mentioned NIT/ enquiry for following-

A) Issuance of Technical Corrigendum Rev-02 (enclosed). Due to change in BOQ, Revised price bid format (unpriced) is also enclosed and same need to be followed for bid submission.

B) Extension of due date of tender upto **09.07.2024**. All bids received till 11:00 Hrs on 09-07-24 shall be opened on 16:00 Hrs on same day through Tender Box.

C) Bidder to submit offer directly to **TENDER BOX only through email** on **tbmmtenderbox@bhel.in** for part-1 bid (i.e. techno-commercial bid) & **tbmmtender.pricebidbox@bhel.in** for Part-2 (i.e. PRICE BID).

D) Following IEMs shall be applicable in place of name of IEMs mentioned under clause-26 of STC (Integrity Pact):

S N	IEM	Email
1.	Shri Otem Dai, IAS (Retd.)	iem1@bhel.in
2.	Shri Bishwamitra Pandey, IRAS (Retd.)	Iem2@bhel.in
3.	Shri Mukesh Mittal, IRS (Retd.)	Iem3@bhel.in

All other terms and conditions for this tender enquiry shall remain unchanged.

Bidder to ensure submission of offer on or before due date.

Note: Tender ID on CPP Portal is **2024_BHEL_37400_1**.

Thanking you

-----Sd/-----

Gaurav Agarwal
BHEL TBG, NOIDA

Ref. No. **Technical Corrigendum-02**

Project: **Pre Bid Tie up for,
EPC Tender for Design, Engineering, manufacturing, Supply, Erection, Testing
and Commissioning of 400kV Switchyard of 1x800 MW ULTRA SUPERCRITICAL UNIT NO. #7ON ASH DYKE AREA AT UKAI TPS.**

Date: **01.07.2024**

Sl. No.	Volume/ Section/ Clause	Volume/ Section/ Clause as Existing	Volume/ Section/ Clause as Amended/ Added in Technical Corrigendum-01
1	Section-1/ Part B	Clause 1/ BILL OF QUANTITIES	Revised BILL OF QUANTITIES is attached.
2	Section-1	Single Line Diagram for Project	Revised Single Line Diagram for Project is attached.

Note:

1. The changes/ revision are marked/ highlighted in yellow.
2. Amendment/ addendum/ clarification/ corrigendum issued herein shall form part of Technical Specification.

Bidders to please note that amendment/addendum/ clarification/ corrigendum issued shall supersede the respective Volume/ Section/ Clause of Technical Specification Document to the extent for the Volume/ Section/ Clause or part thereof the amendment is issued.

Sl. No.	Item Description	Unit	Qty.	Remarks
1.0	SUPPLY- GIS: 400KV, 63KA FOR 1S, GAS INSULATED SWITCHGEAR (GIS) AS PER TS (Two bus with One & Half Breaker Scheme)			
1.01	GIS SUPPLY: 400KV, 2000A, 63 kA, SF6 GIS BUS BAR MODULE (INCLUDING SF6 GAS, STRUCTURE, HARDWARES & EARTHING MATERIALS) AS PER TS	SET	2	
1.02	GIS SUPPLY: 400KV, 63 kA, SF6 BUS VT BAY MODULE (INCLUDING SF6 GAS, STRUCTURE, HARDWARES & EARTHING MATERIALS) AS PER TS	SET	2	400kV PT BAY MODULE shall include following but not limited to, (a) 1 SET- 1 NO x3 phase Disconnecter, complete with operating mechanism. (b) 1 SET- 1 NO x3 phase Maintenance Grounding Switch, complete with operating mechanism (c) 1 SET- 1 NO x3 phase High Speed make proof Earthing Switch, complete with operating mechanism. (d) 3 NO- 1 phase multi winding Voltage Transformer In addition to above, Gas device, UHF sensors, Pressure Switches, Expansion joints/ Flexible connections, Insulators etc. as applicable shall be included, however, Online PD Monitoring System, Local Control Cubicle and End Terminations, if applicable shall be covered separately. GIS shall be complete with all necessary terminal boxes, inspection windows, SF6 gas, grounding connection, pipings for gas monitoring system, trays, support structures with mounting hardware, walkways, interconnecting cables with glands, ferrules, lugs etc. Please refer section-2 (TS for 400kV GIS)- Technical Specification.
1.03	GIS BAY SUPPLY: 400KV, 2000A, 63 kA, SF6 GIS GT FEEDER BAY MODULE (INCLUDING SF6 GAS, STRUCTURE, HARDWARES & EARTHING MATERIALS) AS PER TS	SET	1	400kV GIS GT FEEDER BAY MODULE shall include following but not limited to, (a) 1 SET- 1 NO x3 phase Circuit Breaker , compatible for Controlled Switching Facility , complete with operating mechanism (b) 3 SET- 1 NO x3 phase Disconnecter, complete with operating mechanism. (c) 4 SET- 1 NO x3 phase Maintenance Grounding Switch, complete with operating mechanism. (d) 6 NO- 1 phase multi ratio Current Transformer (e) 3 NO- 1 phase multi ratio Current Transformer for metering purpose (f) 3 NO- 1 phase multi winding Voltage Transformer In addition to above, Gas device, UHF sensors, Pressure Switches, Expansion joints/ Flexible connections, Insulators etc. as applicable, however, Controlled Switching Device (CSD), Online PD Monitoring System (OPMS), Local Control Cubicle (LCC) and End Terminations , if applicable shall be covered separately. GIS shall be complete with all necessary terminal boxes, inspection windows, SF6 gas, grounding connection, pipings for gas monitoring system, trays, support structures with mounting hardware, walkways, interconnecting cables with glands, ferrules, lugs etc. Please refer section-2 (TS for 400kV GIS)- Technical Specification.
1.04	GIS BAY SUPPLY: 400KV, 2000A, 63 kA, SF6 GIS ST FEEDER BAY MODULE (INCLUDING SF6 GAS, STRUCTURE, HARDWARES & EARTHING MATERIALS) AS PER TS	SET	1	400kV GIS ST FEEDER BAY MODULE shall include following but not limited to, (a) 1 SET- 1 NO x3 phase Circuit Breaker , compatible for Controlled Switching Facility , complete with operating mechanism (b) 3 SET- 1 NO x3 phase Disconnecter, complete with operating mechanism. (c) 4 SET- 1 NO x3 phase Maintenance Grounding Switch, complete with operating mechanism. (d) 6 NO- 1 phase multi ratio Current Transformer (e) 3 NO- 1 phase multi ratio Current Transformer for metering purpose (f) 3 NO- 1 phase multi winding Voltage Transformer In addition to above, Gas device, UHF sensors, Pressure Switches, Expansion joints/ Flexible connections, Insulators etc. as applicable, however, Controlled Switching Device (CSD), Online PD Monitoring System (OPMS), Local Control Cubicle (LCC) and End Terminations , if applicable shall be covered separately. GIS shall be complete with all necessary terminal boxes, inspection windows, SF6 gas, grounding connection, pipings for gas monitoring system, trays, support structures with mounting hardware, walkways, interconnecting cables with glands, ferrules, lugs etc. Please refer section-2 (TS for 400kV GIS)- Technical Specification.
1.05	GIS BAY SUPPLY: 400kV, 2000A, 63 kA, SF6 GIS LINE FEEDER BAY MODULE (INCLUDING SF6 GAS, STRUCTURE, HARDWARES & EARTHING MATERIALS) AS PER TS	SET	2	400kV GIS LINE FEEDER BAY MODULE shall include following but not limited to, (a) 1 SET- 1 NO x3 phase Circuit Breaker with PIR/ without PIR , compatible for Controlled Switching Facility, complete with operating mechanism (b) 3 SET- 1 NO x3 phase Disconnecter, complete with operating mechanism. (c) 3 SET- 1 NO x3 phase Maintenance Grounding Switch, complete with operating mechanism. (d) 1 SET- 1 NO x3 phase High Speed make proof Earthing Switch, complete with operating mechanism. (e) 6 NO- 1 phase multi ratio Current Transformer (f) 3 NO- 1 phase multi ratio Current Transformer for metering purpose (g) 3 NO- 1 phase multi winding Voltage Transformer In addition to above, Gas device, UHF sensors, Pressure Switches, Expansion joints/ Flexible connections, Insulators etc. as applicable, however, Controlled Switching Device (CSD), Online PD Monitoring System, Local Control Cubicle and End Terminations, if applicable shall be covered separately. GIS shall be complete with all necessary terminal boxes, inspection windows, SF6 gas, grounding connection, pipings for gas monitoring system, trays, support structures with mounting hardware, walkways, interconnecting cables with glands, ferrules, lugs etc. Please refer section-2 (TS for 400kV GIS)- Technical Specification.
1.06	GIS BAY SUPPLY: 400kV, 2000A, 63 kA, SF6 GIS SPARE FEEDER BAY SUITABLE FOR LINE (FULLY EQUIPPED) MODULE (INCLUDING SF6 GAS, STRUCTURE, HARDWARES & EARTHING MATERIALS) AS PER TS	SET	2/1	400kV GIS SPARE FEEDER BAY MODULE shall include following but not limited to, (a) 1 SET- 1 NO x3 phase Circuit Breaker with PIR/ without PIR , compatible for Controlled Switching Facility, complete with operating mechanism (b) 3 SET- 1 NO x3 phase Disconnecter, complete with operating mechanism. (c) 3 SET- 1 NO x3 phase Maintenance Grounding Switch, complete with operating mechanism. (d) 1 SET- 1 NO x3 phase High Speed make proof Earthing Switch, complete with operating mechanism. (e) 6 NO- 1 phase multi ratio Current Transformer (f) 3 NO- 1 phase multi ratio Current Transformer for metering purpose In addition to above, Gas device, UHF sensors, Pressure Switches, Expansion joints/ Flexible connections, Insulators etc. as applicable, however, Controlled Switching Device (CSD), Online PD Monitoring System, Local Control Cubicle and End Terminations, if applicable shall be covered separately. GIS shall be complete with all necessary terminal boxes, inspection windows, SF6 gas, grounding connection, pipings for gas monitoring system, trays, support structures with mounting hardware, walkways, interconnecting cables with glands, ferrules, lugs etc. Please refer section-2 (TS for 400kV GIS)- Technical Specification.

Sl. No.	Item Description	Unit	Qty.	Remarks
1.07	GIS BAY SUPPLY: 400kV, 2000A, 63 kA, SF6 GIS SPARE FEEDER BAY SUITABLE FOR REACTOR (FULLY EQUIPPED) MODULE (INCLUDING SF6 GAS, STRUCTURE, HARDWARES & EARTHING MATERIALS) AS PER TS	SET	1	400kV GIS SPARE FEEDER BAY MODULE shall include following but not limited to, (a) 1 SET- 1 NO x3 phase Circuit Breaker , compatible for Controlled Switching Facility, complete with operating mechanism (b) 3 SET- 1 NO x3 phase Disconnecter, complete with operating mechanism. (c) 3 SET- 1 NO x3 phase Maintenance Grounding Switch, complete with operating mechanism. (d) 1 SET- 1 NO x3 phase High Speed make proof Earthing Switch, complete with operating mechanism. (e) 6 NO- 1 phase multi ratio Current Transformer (f) 3 NO- 1 phase multi ratio Current Transformer for metering purpose In addition to above, Gas device, UHF sensors, Pressure Switches, Expansion joints/ Flexible connections, Insulators etc. as applicable, however, Controlled Switching Device (CSD), Online PD Monitoring System, Local Control Cubicle and End Terminations, if applicable shall be covered separately. GIS shall be complete with all necessary terminal boxes, inspection windows, SF6 gas, grounding connection, pipings for gas monitoring system, trays, support structures with mounting hardware, walkways, interconnecting cables with glands, ferrules, lugs etc. Please refer section-2 (TS for 400kV GIS)- Technical Specification.
1.08	GIS BAY SUPPLY: 400kV, 2000A, 63 kA, SF6 GIS LINE FEEDER BAY (GIS TO EXISTING AIS INTERCONNECTION) MODULE (INCLUDING SF6 GAS, STRUCTURE, HARDWARES & EARTHING MATERIALS) AS PER TS	SET	2	400kV GIS LINE FEEDER BAY MODULE shall include following but not limited to, (a) 1 SET- 1 NO x3 phase Circuit Breaker , compatible for Controlled Switching Facility, complete with operating mechanism (b) 3 SET- 1 NO x3 phase Disconnecter, complete with operating mechanism. (c) 3 SET- 1 NO x3 phase Maintenance Grounding Switch, complete with operating mechanism. (d) 1 SET- 1 NO x3 phase High Speed make proof Earthing Switch, complete with operating mechanism. (e) 6 NO- 1 phase multi ratio Current Transformer (f) 3 NO- 1 phase multi ratio Current Transformer for metering purpose In addition to above, Gas device, UHF sensors, Pressure Switches, Expansion joints/ Flexible connections, Insulators etc. as applicable, however, Controlled Switching Device (CSD), Online PD Monitoring System, Local Control Cubicle and End Terminations, if applicable shall be covered separately. GIS shall be complete with all necessary terminal boxes, inspection windows, SF6 gas, grounding connection, pipings for gas monitoring system, trays, support structures with mounting hardware, walkways, interconnecting cables with glands, ferrules, lugs etc. Please refer section-2 (TS for 400kV GIS)- Technical Specification.
1.09	GIS BAY SUPPLY: 400kV, 2000A, 63 kA, SF6 GIS TIE FEEDER BAY MODULE (INCLUDING SF6 GAS, STRUCTURE, HARDWARES & EARTHING MATERIALS) AS PER TS	SET	2 /3	400kV GIS TIE FEEDER BAY MODULE shall include following but not limited to, (a) 1 SET- 1 NO x3 phase Circuit Breaker with PIR/ without PIR , compatible for Controlled Switching Facility, complete with operating mechanism (b) 2 SET- 1 NO x3 phase Disconnecter, complete with operating mechanism. (c) 2 SET- 1 NO x3 phase Maintenance Grounding Switch, complete with operating mechanism.. (d) 6 NO- 1 phase multi ratio Current Transformer In addition to above, Gas device, UHF sensors, Pressure Switches, Expansion joints/ Flexible connections, Insulators etc. as applicable, however, Controlled Switching Device (CSD), Online PD Monitoring System, Local Control Cubicle and End Terminations, if applicable shall be covered separately. GIS shall be complete with all necessary terminal boxes, inspection windows, SF6 gas, grounding connection, pipings for gas monitoring system, trays, support structures with mounting hardware, walkways, interconnecting cables with glands, ferrules, lugs etc. Please refer section-2 (TS for 400kV GIS)- Technical Specification.
1.10	GIS BAY SUPPLY: 400kV, 2000A, 63 kA, SF6 GIS TIE FEEDER BAY MODULE (INCLUDING SF6 GAS, STRUCTURE, HARDWARES & EARTHING MATERIALS) AS PER TS	SET	2 /1	400kV GIS TIE FEEDER BAY MODULE shall include following but not limited to, (a) 1 SET- 1 NO x3 phase Circuit Breaker , compatible for Controlled Switching Facility, complete with operating mechanism (b) 2 SET- 1 NO x3 phase Disconnecter, complete with operating mechanism. (c) 2 SET- 1 NO x3 phase Maintenance Grounding Switch, complete with operating mechanism.. (d) 6 NO- 1 phase multi ratio Current Transformer In addition to above, Gas device, UHF sensors, Pressure Switches, Expansion joints/ Flexible connections, Insulators etc. as applicable, however, Controlled Switching Device (CSD), Online PD Monitoring System, Local Control Cubicle and End Terminations, if applicable shall be covered separately. GIS shall be complete with all necessary terminal boxes, inspection windows, SF6 gas, grounding connection, pipings for gas monitoring system, trays, support structures with mounting hardware, walkways, interconnecting cables with glands, ferrules, lugs etc. Please refer section-2 (TS for 400kV GIS)- Technical Specification.
1.11	GIS SUPPLY: 400KV, ONLINE PD MONITORING SYSTEM (OPMS) FOR 400KV GIS SYSTEM	Lot	1	Please refer section-2 (TS for 400kV GIS)- Technical Specification.
1.12	GIS SUPPLY: 400KV, CONTROLLED SWITCHING DEVICE (CSD) FOR 420KV, 3- PH CIRCUIT BREAKER	SET	4 /12	It is considered for GT/ ST BAYS WITH ASSOCIATED TIE BAYS. 1 SET= 1 NO. OF EACH TYPE & RATING Please refer section-2 (TS for 400kV GIS)- Technical Specification.
1.13	SUPPLY- GIS : 400KV, 2000A, 1 PHASE GAS INSULATED BUS DUCT (INCLUDING SF6 GAS, STRUCTURE WITH HARDWARES AND EARTHING MATERIALS)	MTRS	1300 / 1500	Please refer section-2 (TS for 400kV GIS)- Technical Specification.
1.14	GIS SUPPLY: 400KV, 2000A, 1 PHASE SF6 TO AIR BUSHING (POLYMER) (INCLUDING SF6 GAS, STRUCTURE WITH HARDWARES AND EARTHING MATERIALS)	NO	24	Please refer section-2 (TS for 400kV GIS)- Technical Specification. It is considered for GT, ST, FUTURE SPARE & LINE BAYS only.
1.15	GIS SUPPLY: 390KV, 1 PHASE SURGE ARRESTER WITH SURGE COUNTER (INCLUDING SF6 GAS, STRUCTURE, HARDWARES & EARTHING MATERIALS)	NO	24	Please refer section-2 (TS for 400kV GIS)- Technical Specification. It is considered for ALL BAYS except TIE BAYS only. It is considered for ALL BAYS except TIE BAYS only.
1.16	GIS SUPPLY: 400KV, 2000A, 1 PHASE SF6 TO OIL BUSHING (POLYMER) (INCLUDING SF6 GAS, STRUCTURE, HARDWARES & EARTHING MATERIALS)	NO	1	Please refer section-2 (TS for 400kV GIS)- Technical Specification.
1.17	GIS SUPPLY: 400KV, 1 PHASE VOLTAGE TRANSFORMER (INCLUDING SF6 GAS, STRUCTURE, HARDWARES & EARTHING MATERIALS)	NO	1	Please refer section-2 (TS for 400kV GIS)- Technical Specification.
1.18	GIS SUPPLY: LOCAL CONTROL CUBICLES	SET	12	Please refer section-2 (TS for 400kV GIS)- Technical Specification. It is considered for ALL BAYS only.
2.0	SUPPLY- GIS: SPECIAL TOOLS AND TESTING & MAINTENANCE INSTRUMENTS AS PER TS			
2.01	GIS SUPPLY: SF6 GAS FILLING AND EVACUATING PLANT	SET	1	Please refer section-2 (TS for 400kV GIS)- Technical Specification.
2.02	GIS SUPPLY: SF6 GAS PROCESSING UNIT	SET	1	Please refer section-2 (TS for 400kV GIS)- Technical Specification.

Sl. No.	Item Description	Unit	Qty.	Remarks
2.03	GIS SUPPLY: SF6 GAS LEAKAGE DETECTOR (PORTABLE)	NO.	1	Please refer section-2 (TS for 400kV GIS)- Technical Specification.
2.04	GIS SUPPLY: HYGROMETER	NO.	1	Please refer section-2 (TS for 400kV GIS)- Technical Specification.
2.05	GIS SUPPLY: DUST COUNTER (PORTABLE)	NO.	1	Please refer section-2 (TS for 400kV GIS)- Technical Specification.
2.06	GIS SUPPLY: SPECIAL GAS MASK FOR GIS MAINTENANCE	SET	5	Please refer section-2 (TS for 400kV GIS)- Technical Specification.
2.07	GIS SUPPLY: VACUUM METER	NO.	1	Please refer section-2 (TS for 400kV GIS)- Technical Specification.
2.08	GIS SUPPLY: DIGITAL CONTACT RESISTANCE METER	NO.	1	Please refer section-2 (TS for 400kV GIS)- Technical Specification.
2.09	GIS SUPPLY: PARTIAL DISCHARGE MEASUREMENT SET	SET	1	Please refer section-2 (TS for 400kV GIS)- Technical Specification.
2.10	GIS SUPPLY: MOBILE PLATFORM	SET	1	Please refer section-2 (TS for 400kV GIS)- Technical Specification.
3	SPARES- GIS: 400KV, 63KA FOR 1S, GAS INSULATED SWITCHGEAR (GIS) AS PER TS			
3.01	GIS SPARES: TRIP COILS FOR CIRCUIT BREAKER	NO.	4	Each type and rating
3.02	GIS SPARES: CLOSING COILS FOR CIRCUIT BREAKER	NO.	4	Each type and rating
3.03	GIS SPARES: GASKETS	SET	6	Each type and rating
3.04	GIS SPARES: MOTOR FOR CIRCUIT BREAKER OPERATING MECHANISM (IF APPLICABLE)	NO.	2	Each type and rating
3.05	GIS SPARES: VALVE BLOCK WITH DRIVE CYLINDER FOR CIRCUIT BREAKERS	SET	2	Each type and rating
3.06	GIS SPARES: MOTOR FOR EARTHING SWITCH	NO.	1	Each type and rating
3.07	GIS SPARES: MOTOR FOR DISCONNECTORS	NO.	1	Each type and rating
3.08	GIS SPARES: OPERATING MECHANISM FOR DISCONNECTORS	SET	1	Each type and rating
3.09	GIS SPARES: OPERATING MECHANISM FOR EARTHING SWITCH	SET	1	Each type and rating
3.10	GIS SPARES: SF6 GAS CYLINDER WITH 40 KGS OF SF6 GAS	NO.	3	Each type and rating
3.11	GIS SPARES: CONTROL SWITCH AND AUXILIARY RELAY	NO.	4	Each type and rating
3.12	GIS SPARES: MCB (AS APPLICABLE)	NO.	4	Each type and rating
3.13	GIS SPARES: CURRENT TRANSFORMERS	SET	1	Each type and rating
3.14	GIS SPARES: 400KV SF6 AIR BUSHING	NO.	3	Each type and rating
3.15	GIS SPARES: 400KV CVT- 400 kV CVT	NO.	3	Each type and rating
3.16	GIS SPARES: 400KV CVT- OIL SEALS	SET	4	Each type and rating
3.17	GIS SPARES: 400KV CVT- INSULATORS	SET	4	Each type and rating
3.18	GIS SPARES: 400KV CVT- GASKETS (ALL SIZES USED)	SET	4	Each type and rating
3.19	GIS SPARES: 400KV CVT- OIL FILLING, DRAINING AND SAMPLING- PLUGS	SET	4	Each type and rating
3.20	GIS SPARES: 400KV CVT- OIL LEVEL GAUGE	NO.	3	Each type and rating
3.21	GIS SPARES: SWITCHYARD EQUIPMENT ACCESSORIES- 400KV- GLAZED BROWN INSULATOR	SET	2	Each type and rating
3.22	GIS SPARES: SWITCHYARD EQUIPMENT ACCESSORIES- SF6 GAS PRESSURE RELIEF DEVICES	SET	2	1 SET= 3 number of each type
3.23	GIS SPARES: SWITCHYARD EQUIPMENT ACCESSORIES- SF6 PRESSURE GAUGE WITH COUPLING DEVICE CUM SWITCH OR DENSITY MONITORS AND PRESSURE GAUGE, AS APPLICABLE	SET	1	1 SET= 1 number of each type
3.24	GIS SPARES: SWITCHYARD EQUIPMENT ACCESSORIES- MOLECULAR FILTER FOR SF6 GAS WITH FILTER BAGS	SET	1	1SET= 20% TOTAL QUANTITY OF ABSORBER BAGS USED IN GIS
3.25	GIS SPARES: SWITCHYARD EQUIPMENT ACCESSORIES- COVERS WITH ALL ACCESSORIES NECESSARY TO CLOSE A COMPARTMENT IN CASE OF DISMANTLING OF ANY PART OF THE ENCLOSURE TO ENSURE THE SEALING OF THE COMPARTMENT FOR 1 PHASE ENCLOSURE	SET	1	1 SET= 3 NOS. OF EACH TYPE
3.26	GIS SPARES: SWITCHYARD EQUIPMENT ACCESSORIES- LOCKING DEVICE TO KEEP THE DIS-CONNECTORS AND EARTHING SWITCHES IN CLOSE OR OPEN POSITION IN CASE OF REMOVAL OF THE DRIVING MECHANISM (IF APPLICABLE)	NO.	3	
3.27	GIS SPARES: SWITCHYARD EQUIPMENT ACCESSORIES- BUS SUPPORT INSULATOR OF EACH TYPE FOR SINGLE PHASE ENCLOSURE	SET	1	1 SET= 6 NOS. OF EACH TYPE
3.28	GIS SPARES: SWITCHYARD EQUIPMENT ACCESSORIES- SF6 TO AIR BUSHING FOR 1 PHASE ENCLOSURE	NO.	2	
3.29	GIS SPARES: SWITCHYARD EQUIPMENT ACCESSORIES- RELAY OF EACH TYPE & RATING	SET	1	1 SET= 1 NOS. OF EACH TYPE & RATING

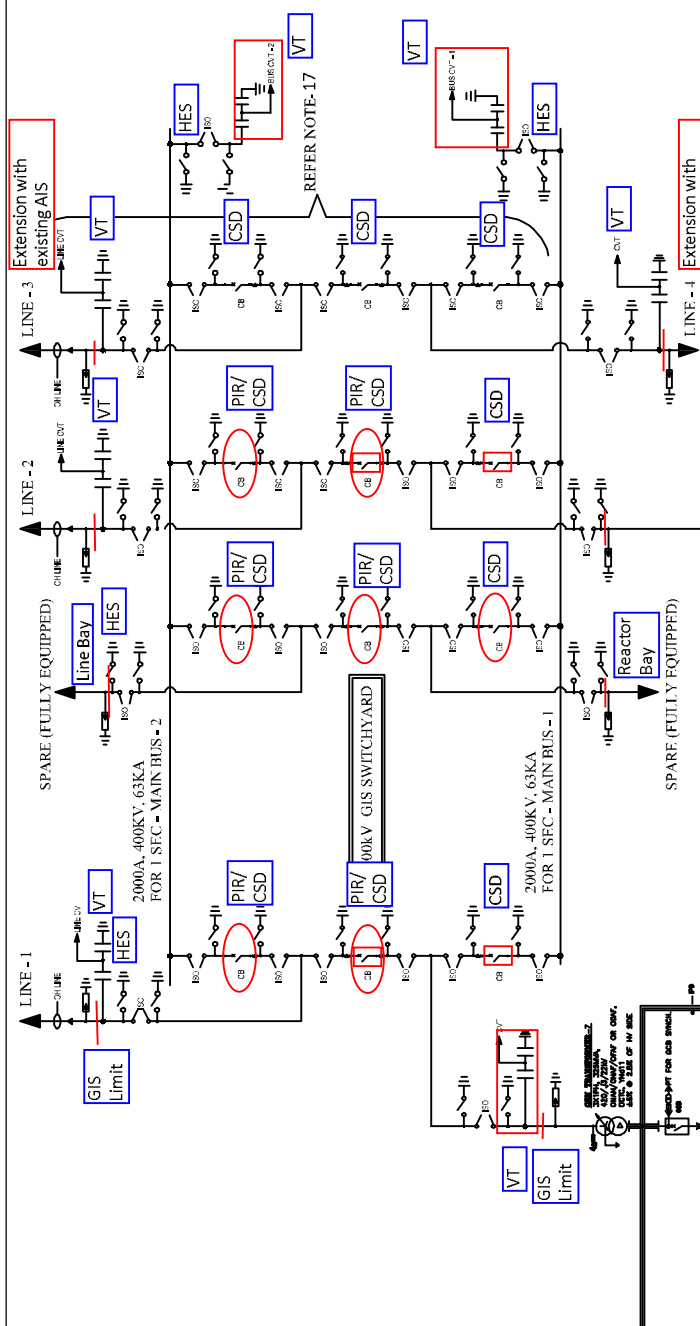
Sl. No.	Item Description	Unit	Qty.	Remarks
3.3	GIS SPARES: SWITCHYARD EQUIPMENT ACCESSORIES- ALL TYPES OF CORONA SHIELD	SET	1	1 SET= 3 NOS. OF EACH TYPE
3.31	GIS SPARES: SWITCHYARD EQUIPMENT ACCESSORIES- WINDOW SCOPE/ OBSERVING WINDOW (IF APPLICABLE)	SET	1	1 SET= 3 NOS. OF EACH TYPE
3.32	GIS SPARES- LA 400KV SIDE	NO.	3	
3.33	GIS SPARES: LOCAL CONTROL PANEL	SET	1	1 SET= 100% spares for 1 panel
3.34	GIS SPARES: COMPLETE MODULE FOR 400 KV BREAKER	SET	1	
3.35	GIS SPARES- COMPLETE MODULE FOR 400 KV LA (WITH EARTH SWITCH)	SET	4	
3.36	GIS SPARES- COMPLETE MODULE FOR 400 KV LA (WITHOUT EARTH SWITCH)	SET	4	
3.37	GIS SPARES: COMPLETE MODULE FOR 400KV CT	SET	1	
3.38	GIS SPARES: COMPLETE MODULE FOR 400KV PT/ VT	SET	1	
3.39	GIS SPARES: SF6 GAS	SET	1	1 SET= 10% of total filled quantity
3.40	GIS SPARES: DUCT INSULATOR	SET	1	1 SET= 10% of total installed quantity
3.41	GIS SPARES: SET OF GASKETS, O RINGS	SET	5	
3.42	GIS SPARES: SF6 GAS FILLING KIT	SET	1	
3.43	GIS SPARES: CRM, DCRM KIT WITH TRANSDUCER OF APPROPRIATE BREAKER FITTINGS	SET	1	
3.44	GIS SPARES- 400KV AIS- COMPLETE SET OF 1 NO. OF SINGLE PHASE DISCONNECT OR INCLUDING MAIN CIRCUIT, ENCLOSURE AND DRIVING MECHANISM	SET	4	
3.45	GIS SPARES- 400KV AIS- COMPLETE CIRCUIT BREAKER 1 PHASE POLE OF EACH TYPE & RATING COMPLETE WITH INTERRUPTER, MAIN CIRCUIT AND ENCLOSURE WITH OPERATING MECHANISM	SET	4	

4.0	SPARES- GIS: REFERENCE UNIT PRICE FOR ADDITION / DELETION OF SUPPLY ITEMS (Unit Prices of Individual Equipment included here or in mandatory spares are required for any Addition/Deletion of Equipment and replacement of damaged items. Bidder to ensure that the unit prices have a logical relationship with prices of assemblies in main items. Quoting for unit prices is mandatory and shall be considered for evaluation)			
4.01	SUPPLY- GIS: SPARES: 400KV, OPERATING MECHANISM FOR CIRCUIT BREAKER COMPLETE IN ALL RESPECT	Set	1	
4.02	SUPPLY- GIS: SPARES: 400KV, OPERATING MECHANISM FOR DISCONNECTOR	Set	1	
4.03	SUPPLY- GIS: SPARES: 400KV, OPERATING MECHANISM FOR MAINTENANCE EARTHING SWITCH COMPLETE IN ALL RESPECT	Set	1	
4.04	SUPPLY- GIS: SPARES: 400KV, OPERATING MECHANISM FOR FAST ACTING/ HIGH SPEED GROUNDING SWITCH COMPLETE IN ALL RESPECT	Set	1	
4.05	SUPPLY- GIS: SPARES: 400KV, MAINTENANCE EARTHING SWITCH COMPLETE IN ALL RESPECT	Set	1	
4.06	SUPPLY- GIS: SPARES: 400KV, FAST ACTING/ HIGH SPEED GROUNDING SWITCH COMPLETE IN ALL RESPECT	Set	1	
4.07	SUPPLY- GIS: SPARES: 400KV, SINGLE PHASE BUS BAR	Mtrs	1	Complete in all respect.
4.08	SUPPLY- GIS: SPARES: 400KV, GIS METALLIC ENCLOSURE	Kgs	50	
4.09	SUPPLY- GIS: SPARES: 400KV, EXPANSION JOINTS	Set	1	1set= 1 nos. of each type and each rating.
4.10	SUPPLY- GIS: SPARES: 400KV, FLEXIBLE CONNECTIONS	Set	1	1set= 1 nos. of each type and each rating.
4.11	SUPPLY- GIS: SPARES: 400KV, BARRIER INSULATOR	Set	1	1set= 1 nos. of each type and each rating.
4.12	SUPPLY- GIS: SPARES: 400KV, NON-BARRIER INSULATOR	Set	1	1set= 1 nos. of each type and each rating.
4.13	SUPPLY- GIS: SPARES: 400KV, GAS SEALS	Set	1	1set= 1 nos. of each type and each rating.
4.14	SUPPLY- GIS: SPARES: 400KV, GAS DENSITY MONITOR SWITCH	Set	1	1set= 1 nos. of each type and each rating.
4.15	SUPPLY- GIS: SPARES: 400KV, GAS PRESSURE SWITCH	Set	1	1set= 1 nos. of each type and each rating.
4.16	SUPPLY- GIS: SPARES: 400KV, TEE BEND	Set	1	1set= 1 nos. of each type and each rating.
4.17	SUPPLY- GIS: SPARES: 400KV, ANGLE BEND	Set	1	1set= 1 nos. of each type and each rating.
4.18	SUPPLY- GIS: SPARES: 400KV, L-BEND	Set	1	1set= 1 nos. of each type and each rating.

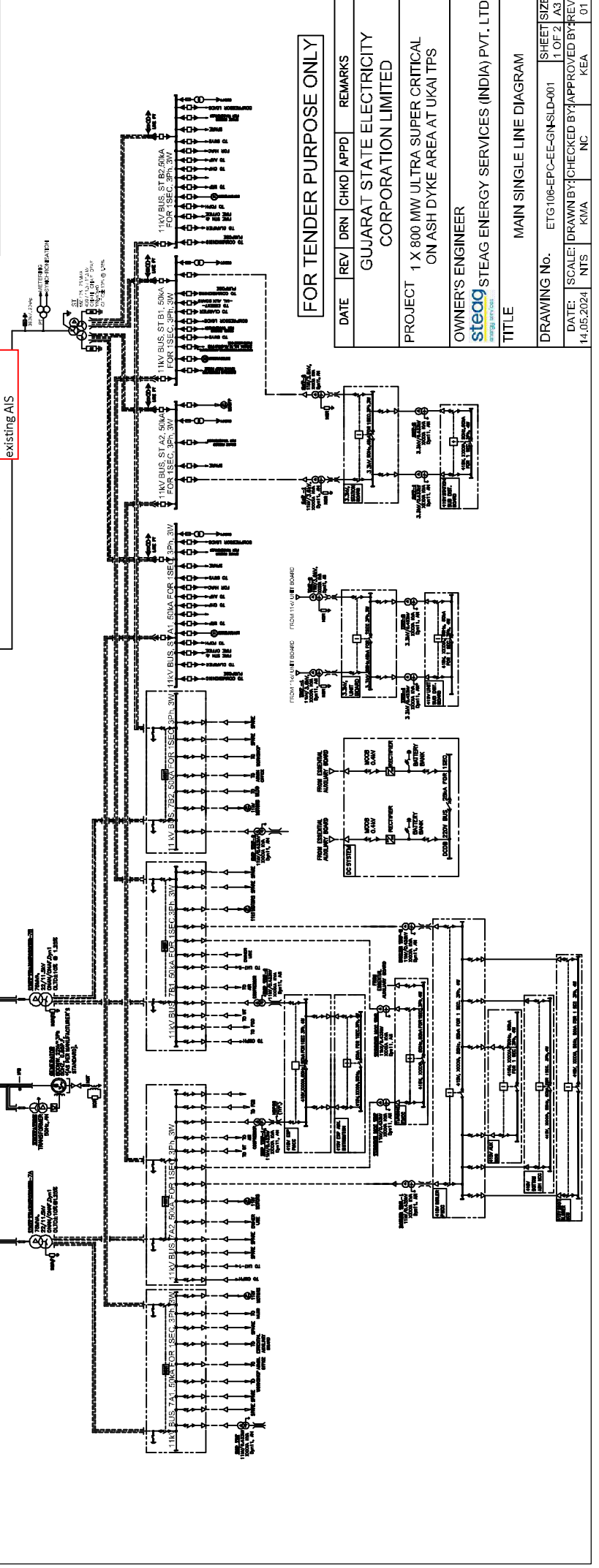
Sl. No.	Description	Unit	Quantity	Remarks
5.0	SERVICES- GIS : 400KV, 63KA FOR IS, GAS INSULATED SWITCHGEAR (GIS) AS PER TS			
5.01	SERVICES- 400kV GIS: SUPERVISION OF ERECTION OF GIS	Bays	12	Supervision of erection of GIS with main bus, complete as per TS in all respect including LCC and its accessories. It also includes verification of materials for proper storage at site for final storage. Earthing, SF6 Gas Filing works, Internal Cabling from GIS to LCC, including Structure Works are covered under this item. GIS Bus Duct, SF6 to Air Bushing (SAB)/ SF6 to Oil Bushing (SOB), Surge Arrester, VT are not covered in this BOQ item.
5.02	SERVICES- 400kV GIS: SUPERVISION OF ERECTION OF 1-PHASE GAS INSULATED BUS DUCT	MTR	1300 /1500	Supervision of erection of GIB complete as per TS in all respect. GIB shall be considered from first equipment of GIS. Earthing, SF6 Gas Filing works, Internal Cabling with tray work including Structure Works are covered under this item.
5.03	SERVICES- 400kV GIS: SUPERVISION OF ERECTION OF 1 PHASE SF6 TO AIR BUSHING	SET	24	Supervision of erection of SF6 to Air Bushing complete as per TS in all respect. Earthing, SF6 Gas Filing works, Internal Cabling with tray work, including Structure Works are covered under this item.
5.04	SERVICES- 400kV GIS: SUPERVISION OF ERECTION OF 1 PHASE SF6 TO OIL BUSHING (POLYMER)	SET	1	Supervision of erection of SF6 to Oil Bushing complete as per TS in all respect. Earthing, SF6 Gas Filing works, Internal Cabling with tray work, including Structure Works are covered under this item.
5.05	SERVICES- 400kV GIS: SUPERVISION OF ERECTION OF 1 PHASE SURGE ARRESTER WITH SURGE COUNTER	SET	24	Supervision of erection of Surge Arrester complete as per TS in all respect. Earthing, SF6 Gas Filing works, Internal Cabling with tray work, including Structure Works are covered under this item.
5.06	SERVICES- 400kV GIS: SUPERVISION OF ERECTION OF 1 PHASE VOLTAGE TRANSFORMER	SET	1	Supervision of erection of Voltage Transformer complete as per TS in all respect. Earthing, SF6 Gas Filing works, Internal Cabling with tray work, including Structure Works are covered under this item.
5.07	SERVICES- 400kV GIS: TESTING & COMMISSIONING OF GIS	Bays	12	Testing and commissioning of complete GIS system including main bus, LCC and associated system (LA, VT, CSD etc.) is to be executed by bidder. All the special testing instruments, kits, T&P etc. are to be arranged by bidder on returnable basis. Please refer relevant section of technical specification for details.
5.08	SERVICES- 400kV GIS : TESTING & COMMISSIONING OF GAS INSULATED BUS DUCT	MTR	1300 /1500	Testing and commissioning of GIB complete as per TS in all respect. GIB shall be considered from first equipment of GIS. All the special testing instruments, kits, T&P etc. are to be arranged by bidder on returnable basis. Please refer relevant section of technical specification for details.
5.09	SERVICES- 400kV GIS : FINAL SUCCESSFUL HV/ POWER FREQUENCY TESTING OF GIS INCLUDING ARRANGING OF HV TEST KIT ALONG WITH OPERATOR	Bays	12	Carrying out successful HV/ Power Frequency Testing of GIS as per IEC including Arrangement of HV Test kit with operator (on returnable basis) shall be in scope of bidder, which includes charges of HV test kit with operator, accessories & tools required for completion of HV testing. The quoted price shall include GIS bays including Main Bus, GIB, SAB/SOB and other common items as per TS complete in all respect. In this BOQ item, mobilization and demobilization for HV test kit is considered for once. In case of more, for reasons not attributable to bidder, same shall be paid extra as per BOQ Item.
5.1	SERVICES- 400kV GIS : INSULATION CO-ORDINATION STUDIES FOR GIS SYSTEM	LOT	1	1 Lot means Complete study report as per technical specification, Including VFTO report.
5.11	SERVICES- 400kV GIS : TRAINING FOR GIS AT SITE	DAY	2	
5.12	SERVICES- 400kV GIS : TRAINING FOR GIS AT MANUFACTURER WORKS	DAY	2	

Sl. No.	Description	Unit	Quantity	Remarks
6.0	SERVICES- GIS : REFERENCE UNIT PRICE FOR ADDITION / DELETION OF SERVICES: (UNIT PRICES OF INDIVIDUAL SERVICES INCLUDED HERE ARE REQUIRED FOR ANY ADDITION/DELETION OF EQUIPMENT AND REPLACEMENT OF DAMAGED ITEMS. VENDOR TO ENSURE THAT THE UNIT PRICES HAVE A LOGICAL RELATIONSHIP WITH PRICES OF ASSEMBLIES IN MAIN ITEMS. QUOTING FOR UNIT PRICES IS MANDATORY AND SHALL BE CONSIDERED FOR EVALUATION)			
6.01	SERVICES- 400kV GIS: REF. UNIT PRICE OF GIS INDIVIDUAL ITEM/ EQUIPMENT - SERVICES FOR SUPERVISION OF ERECTION OF GIS	MANDAY	10	Charges for repetition of services - (if required due to reasons not attributed to the bidder) This item will be executed only if repetition of services is required by BHEL.
6.02	SERVICES- 400kV GIS: REF. UNIT PRICE OF GIS INDIVIDUAL ITEM/ EQUIPMENT - SERVICES FOR TESTING & COMMISSIONING OF GIS	MANDAY	10	Charges for repetition of services - (if required due to reasons not attributed to the bidder) This item will be executed only if repetition of services is required by BHEL.
	DEMOBILIZATION AND REMOBILIZATION CHARGES			
6.03	SERVICES- 400kV GIS: DEMOBILIZATION AND REMOBILIZATION CHARGES FOR GIS ERECTION SUPERVISION TEAM	Set	2	THIS BOQ ITEM SHALL BE PAYABLE IF REQUIRED FOR REASONS NOT ATTRIBUTABLE TO BIDDER.
6.04	SERVICES- 400kV GIS: DEMOBILIZATION AND REMOBILIZATION CHARGES FOR GIS TESTING & COMMISSIONING TEAM	Set	2	BOQ ITEM SHALL BE PAYABLE IF REQUIRED FOR REASONS NOT ATTRIBUTE TO BIDDER. HV TESTING IS NOT PART OF THIS ITEM.
6.05	SERVICES- 400kV GIS: DEMOBILIZATION & REMOBILIZATION CHARGES OF HV TEST KIT ALONG WITH OPERATOR	Lot	1	In this BOQ item, mobilization and demobilization chages for HV test kit is considered for second time or more , for reasons not attributable to bidder. HV testing charges shall be paid per bay basis as per main HV testing charge.

LEGEND	
SYMBOLS	DESCRIPTION
	CONTACTOR MAN MAKE CONTACT OF A CONTACTOR (CONTACT OPENED IN THE UNOPERATED POSITION)
	CURRENT TRANSFORMER
	NORMALLY CLOSE
	NORMALLY OPEN
	CONNECTING LINK, CLOSED
	DISCONNECTOR (ISOLATOR)
	MCB
	BATTERY
	NEUTRAL GROUNDING RESISTOR (NGR)
	LIGHTNING ARRESTER
	INTERLOCK



LEGEND	
SYMBOLS	DESCRIPTION
	GENERATOR
	EMERGENCY DIESEL GENERATOR (EDG)
	TRANSFORMER
	INDUCTION MOTOR THREE PHASE
	EXCITATION TRANSFORMER
	RECTIFIER
	INVERTER
	MOTOR DRIVEN BOILER FEED WATER PUMP
	EARTH
	EARTH SWITCH
	CABLE CONNECTION



FOR TENDER PURPOSE ONLY

DATE	REV	DRN	CHKD	APPD	REMARKS
					GUJARAT STATE ELECTRICITY CORPORATION LIMITED
					PROJECT 1 X 800 MW ULTRA SUPER CRITICAL ON ASH DYKE AREA AT UKAI TPS
					OWNER'S ENGINEER
					steag STEAG ENERGY SERVICES (INDIA) PVT. LTD.
					TITLE MAIN SINGLE LINE DIAGRAM
DRAWING No.	ETG-106-EPC-EE-GNSLD-001				SHEET SIZE 1 OF 2 A3
DATE:	SCALE:	DRAWN BY:	CHECKED BY:	APPROVED BY:	REV.
14.05.2024	NTS	KMA	NC	KEA	01

Tender Inviting Authority: BHEL TBG NOIDA

Name of Work: 400kV GIS for 1X800 MW Ukai TPP Extension Unit#7

NIT/Enquiry No: NIT No.83363_61Q2500151 Dtd: 24-06-2024

Name of the Bidder/ Bidding Firm / Company :	
--	--

PRICE SCHEDULE
(This BOQ template must not be modified/replaced by the bidder and the same should be uploaded after filling the relevant columns, else the bidder is liable to be rejected for this tender. Bidders are allowed to enter the Bidder Name and Values only)

NUMBER #	TEXT #	TEXT #	NUMBER #	TEXT #	TEXT #	NUMBER #	NUMBER	NUMBER	NUMBER	NUMBER	NUMBER	NUMBER #	NUMBER #	NUMBER #	TEXT #
Sl. No.	Item Description	Item Code / Make	Quantity	Units	Quoted Currency in INR / Other Currency	Unit RATE in Figures To be entered by the Bidder in Rs. P	GST (in Percentage)	GST Amount (Unit Rate*Quantity* GST) Rs. P	Unit Freight & Insurance Charges in Rs. P	GST (in Percentage)	GST Amount on F&I (Unit Rate*Quantity*GST) Rs. P	HSN / SAC Code	TOTAL Ex-Works + F & I AMOUNT excluding GST in Rs. P	TOTAL Ex-Works + F & I AMOUNT including GST in Rs. P	TOTAL AMOUNT in Words
1	2	3	4	5	12	13	14	15	16	20	21	51	53	54	55
1.01	GIS SUPPLY: 400KV, 2000A, 63 kA, SF6 GIS BUS BAR MODULE (INCLUDING SF6 GAS, STRUCTURE, HARDWARES & EARTHING MATERIALS) AS PER TS	item1	2	SET	INR			0.00			0.00		0.000	0.000	INR Zero Only
1.02	GIS SUPPLY: 400KV, 63 kA, SF6 BUS VT BAY MODULE (INCLUDING SF6 GAS, STRUCTURE, HARDWARES & EARTHING MATERIALS) AS PER TS	item2	2	SET	INR			0.00			0.00		0.000	0.000	INR Zero Only
1.03	GIS BAY SUPPLY: 400kv, 2000A, 63 kA, SF6 GIS GT FEEDER BAY MODULE (INCLUDING SF6 GAS, STRUCTURE, HARDWARES & EARTHING MATERIALS) AS PER TS	item3	1	SET	INR			0.00			0.00		0.000	0.000	INR Zero Only
1.04	GIS BAY SUPPLY: 400kv, 2000A, 63 kA, SF6 GIS ST FEEDER BAY MODULE (INCLUDING SF6 GAS, STRUCTURE, HARDWARES & EARTHING MATERIALS) AS PER TS	item4	1	SET	INR			0.00			0.00		0.000	0.000	INR Zero Only
1.05	GIS BAY SUPPLY: 400kv, 2000A, 63 kA, SF6 GIS LINE FEEDER BAY MODULE (INCLUDING SF6 GAS, STRUCTURE, HARDWARES & EARTHING MATERIALS) AS PER TS	item5	2	SET	INR			0.00			0.00		0.000	0.000	INR Zero Only
1.06	GIS BAY SUPPLY: 400kv, 2000A, 63 kA, SF6 GIS SPARE FEEDER BAY SUITABLE FOR LINE (FULLY EQUIPPED) MODULE (INCLUDING SF6 GAS, STRUCTURE, HARDWARES & EARTHING MATERIALS) AS PER TS	item6	1	SET	INR			0.00			0.00		0.000	0.000	INR Zero Only
1.07	GIS BAY SUPPLY: 400kv, 2000A, 63 kA, SF6 GIS SPARE FEEDER BAY SUITABLE FOR REACTOR (FULLY EQUIPPED) MODULE (INCLUDING SF6 GAS, STRUCTURE, HARDWARES & EARTHING MATERIALS) AS PER TS	item7	1	SET	INR			0.00			0.00		0.000	0.000	INR Zero Only
1.08	GIS BAY SUPPLY: 400kv, 2000A, 63 kA, SF6 GIS LINE FEEDER BAY (GIS TO EXISTING AIS INTERCONNECTION) MODULE (INCLUDING SF6 GAS, STRUCTURE, HARDWARES & EARTHING MATERIALS) AS PER TS	item8	2	SET	INR			0.00			0.00		0.000	0.000	INR Zero Only
1.09	GIS BAY SUPPLY: 400kv, 2000A, 63 kA, SF6 GIS TIE FEEDER BAY MODULE (INCLUDING SF6 GAS, STRUCTURE, HARDWARES & EARTHING MATERIALS) AS PER TS	item9	3	SET	INR			0.00			0.00		0.000	0.000	INR Zero Only
1.10	GIS BAY SUPPLY: 400kv, 2000A, 63 kA, SF6 GIS TIE FEEDER BAY MODULE (INCLUDING SF6 GAS, STRUCTURE, HARDWARES & EARTHING MATERIALS) AS PER TS	item10	1	SET	INR			0.00			0.00		0.000	0.000	INR Zero Only
1.11	GIS SUPPLY: 400KV, ONLINE PD MONITORING SYSTEM (OPMS) FOR 400KV GIS SYSTEM	item11	1	Lot	INR			0.00			0.00		0.000	0.000	INR Zero Only
1.12	GIS SUPPLY: 400KV, CONTROLLED SWITCHING DEVICE (CSD) FOR 420KV, 3- PH CIRCUIT BREAKER	item12	12	SET	INR			0.00			0.00		0.000	0.000	INR Zero Only
1.13	SUPPLY- GIS : 400KV, 2000A, 1 PHASE GAS INSULATED BUS DUCT (INCLUDING SF6 GAS, STRUCTURE WITH HARDWARES AND EARTHING MATERIALS)	item13	1500	MTRS	INR			0.00			0.00		0.000	0.000	INR Zero Only

Tender Inviting Authority: BHEL TBG NOIDA

Name of Work: 400kV GIS for 1X800 MW Ukai TPP Extension Unit#7

NIT/Enquiry No: NIT No.83363_61Q2500151 Dtd: 24-06-2024

Name of the Bidder/ Bidding Firm / Company :	
--	--

PRICE SCHEDULE															
(This BOQ template must not be modified/replaced by the bidder and the same should be uploaded after filling the relevant columns, else the bidder is liable to be rejected for this tender. Bidders are allowed to enter the Bidder Name and Values only)															
NUMBER #	TEXT #	TEXT #	NUMBER #	TEXT #	TEXT #	NUMBER #	NUMBER	NUMBER	NUMBER	NUMBER	NUMBER	NUMBER #	NUMBER #	NUMBER #	TEXT #
Sl. No.	Item Description	Item Code / Make	Quantity	Units	Quoted Currency in INR / Other Currency	Unit RATE in Figures To be entered by the Bidder in Rs. P	GST (in Percentage)	GST Amount (Unit Rate*Quantity* GST) Rs. P	Unit Freight & Insurance Charges in Rs. P	GST (in Percentage)	GST Amount on F&I (Unit Rate*Quantity*GST) Rs. P	HSN / SAC Code	TOTAL Ex-Works + F & I AMOUNT excluding GST in Rs. P	TOTAL Ex-Works + F & I AMOUNT including GST in Rs. P	TOTAL AMOUNT in Words
1	2	3	4	5	12	13	14	15	16	20	21	51	53	54	55
1.14	GIS SUPPLY: 400KV, 2000A, 1 PHASE SF6 TO AIR BUSHING (POLYMER) (INCLUDING SF6 GAS, STRUCTURE WITH HARDWARES AND EARTHING MATERIALS)	item14	24	NO	INR			0.00			0.00		0.000	0.000	INR Zero Only
1.15	GIS SUPPLY: 390KV, 1 PHASE SURGE ARRESTER WITH SURGE COUNTER (INCLUDING SF6 GAS, STRUCTURE, HARDWARES & EARTHING MATERIALS)	item15	24	NO	INR			0.00			0.00		0.000	0.000	INR Zero Only
1.16	GIS SUPPLY: 400KV, 2000A, 1 PHASE SF6 TO OIL BUSHING (POLYMER) (INCLUDING SF6 GAS, STRUCTURE, HARDWARES & EARTHING MATERIALS)	item16	1	NO	INR			0.00			0.00		0.000	0.000	INR Zero Only
1.17	GIS SUPPLY: 400KV, 1 PHASE VOLTAGE TRANSFORMER (INCLUDING SF6 GAS, STRUCTURE, HARDWARES & EARTHING MATERIALS)	item17	1	NO	INR			0.00			0.00		0.000	0.000	INR Zero Only
1.18	GIS SUPPLY: LOCAL CONTROL CUBICLES	item18	12	SET	INR			0.00			0.00		0.000	0.000	INR Zero Only
2.01	GIS SUPPLY: SF6 GAS FILLING AND EVACUATING PLANT	item19	1	SET	INR			0.00			0.00		0.000	0.000	INR Zero Only
2.02	GIS SUPPLY: SF6 GAS PROCESSING UNIT	item20	1	SET	INR			0.00			0.00		0.000	0.000	INR Zero Only
2.03	GIS SUPPLY: SF6 GAS LEAKAGE DETECTOR (PORTABLE)	item21	1	NO.	INR			0.00			0.00		0.000	0.000	INR Zero Only
2.04	GIS SUPPLY: HYGROMETER	item22	1	NO.	INR			0.00			0.00		0.000	0.000	INR Zero Only
2.05	GIS SUPPLY: DUST COUNTER (PORTABLE)	item23	1	NO.	INR			0.00			0.00		0.000	0.000	INR Zero Only
2.06	GIS SUPPLY: SPECIAL GAS MASK FOR GIS MAINTENANCE	item24	5	SET	INR			0.00			0.00		0.000	0.000	INR Zero Only
2.07	GIS SUPPLY: VACUUM METER	item25	1	NO.	INR			0.00			0.00		0.000	0.000	INR Zero Only
2.08	GIS SUPPLY: DIGITAL CONTACT RESISTANCE METER	item26	1	NO.	INR			0.00			0.00		0.000	0.000	INR Zero Only
2.09	GIS SUPPLY: PARTIAL DISCHARGE MEASUREMENT SET	item27	1	SET	INR			0.00			0.00		0.000	0.000	INR Zero Only
2.1	GIS SUPPLY: MOBILE PLATFORM	item28	1	SET	INR			0.00			0.00		0.000	0.000	INR Zero Only

Tender Inviting Authority: BHEL TBG NOIDA

Name of Work: 400kV GIS for 1X800 MW Ukai TPP Extension Unit#7

NIT/Enquiry No: NIT No.83363_61Q2500151 Dtd: 24-06-2024

Name of the Bidder/ Bidding Firm / Company :

PRICE SCHEDULE
(This BOQ template must not be modified/replaced by the bidder and the same should be uploaded after filling the relevant columns, else the bidder is liable to be rejected for this tender. Bidders are allowed to enter the Bidder Name and Values only)

NUMBER #	TEXT #	TEXT #	NUMBER #	TEXT #	TEXT #	NUMBER #	NUMBER	NUMBER	NUMBER	NUMBER	NUMBER	NUMBER #	NUMBER #	NUMBER #	TEXT #
Sl. No.	Item Description	Item Code / Make	Quantity	Units	Quoted Currency in INR / Other Currency	Unit RATE in Figures To be entered by the Bidder in Rs. P	GST (in Percentage)	GST Amount (Unit Rate*Quantity* GST) Rs. P	Unit Freight & Insurance Charges in Rs. P	GST (in Percentage)	GST Amount on F&I (Unit Rate*Quantity*GST) Rs. P	HSN / SAC Code	TOTAL Ex-Works + F & I AMOUNT excluding GST in Rs. P	TOTAL Ex-Works + F & I AMOUNT including GST in Rs. P	TOTAL AMOUNT in Words
1	2	3	4	5	12	13	14	15	16	20	21	51	53	54	55
3.01	GIS SPARES: TRIP COILS FOR CIRCUIT BREAKER	item29	4	NO.	INR			0.00			0.00		0.000	0.000	INR Zero Only
3.02	GIS SPARES: CLOSING COILS FOR CIRCUIT BREAKER	item30	4	NO.	INR			0.00			0.00		0.000	0.000	INR Zero Only
3.03	GIS SPARES: GASKETS	item31	6	SET	INR			0.00			0.00		0.000	0.000	INR Zero Only
3.04	GIS SPARES: MOTOR FOR CIRCUIT BREAKER OPERATING MECHANISM (IF APPLICABLE)	item32	2	NO.	INR			0.00			0.00		0.000	0.000	INR Zero Only
3.05	GIS SPARES: VALVE BLOCK WITH DRIVE CYLINDER FOR CIRCUIT BREAKERS	item33	2	SET	INR			0.00			0.00		0.000	0.000	INR Zero Only
3.06	GIS SPARES: MOTOR FOR EARTHING SWITCH	item34	1	NO.	INR			0.00			0.00		0.000	0.000	INR Zero Only
3.07	GIS SPARES: MOTOR FOR DISCONNECTORS	item35	1	NO.	INR			0.00			0.00		0.000	0.000	INR Zero Only
3.08	GIS SPARES: OPERATING MECHANISM FOR DISCONNECTORS	item36	1	SET	INR			0.00			0.00		0.000	0.000	INR Zero Only
3.09	GIS SPARES: OPERATING MECHANISM FOR EARTHING SWITCH	item37	1	SET	INR			0.00			0.00		0.000	0.000	INR Zero Only
3.1	GIS SPARES: SF6 GAS CYLINDER WITH 40 KGS OF SF6 GAS	item38	3	NO.	INR			0.00			0.00		0.000	0.000	INR Zero Only
3.11	GIS SPARES: CONTROL SWITCH AND AUXILIARY RELAY	item39	4	NO.	INR			0.00			0.00		0.000	0.000	INR Zero Only
3.12	GIS SPARES: MCB (AS APPLICABLE)	item40	4	NO.	INR			0.00			0.00		0.000	0.000	INR Zero Only
3.13	GIS SPARES: CURRENT TRANSFORMERS	item41	1	SET	INR			0.00			0.00		0.000	0.000	INR Zero Only
3.14	GIS SPARES: 400KV SF6 AIR BUSHING	item42	3	NO.	INR			0.00			0.00		0.000	0.000	INR Zero Only

Tender Inviting Authority: BHEL TBG NOIDA

Name of Work: 400kV GIS for 1X800 MW Ukai TPP Extension Unit#7

NIT/Enquiry No: NIT No.83363_61Q2500151 Dtd: 24-06-2024

Name of the Bidder/ Bidding Firm / Company :	
--	--

PRICE SCHEDULE
(This BOQ template must not be modified/replaced by the bidder and the same should be uploaded after filling the relevant columns, else the bidder is liable to be rejected for this tender. Bidders are allowed to enter the Bidder Name and Values only)

NUMBER #	TEXT #	TEXT #	NUMBER #	TEXT #	TEXT #	NUMBER #	NUMBER	NUMBER	NUMBER	NUMBER	NUMBER	NUMBER #	NUMBER #	NUMBER #	TEXT #
Sl. No.	Item Description	Item Code / Make	Quantity	Units	Quoted Currency in INR / Other Currency	Unit RATE in Figures To be entered by the Bidder in Rs. P	GST (in Percentage)	GST Amount (Unit Rate*Quantity* GST) Rs. P	Unit Freight & Insurance Charges in Rs. P	GST (in Percentage)	GST Amount on F&I (Unit Rate*Quantity*GST) Rs. P	HSN / SAC Code	TOTAL Ex-Works + F & I AMOUNT excluding GST in Rs. P	TOTAL Ex-Works + F & I AMOUNT including GST in Rs. P	TOTAL AMOUNT in Words
1	2	3	4	5	12	13	14	15	16	20	21	51	53	54	55
3.15	GIS SPARES: SWITCHYARD EQUIPMENT ACCESSORIES-SF6 GAS PRESSURE RELIEF DEVICES	item43	2	SET	INR			0.00			0.00		0.000	0.000	INR Zero Only
3.16	GIS SPARES: SWITCHYARD EQUIPMENT ACCESSORIES-SF6 PRESSURE GAUGE WITH COUPLING DEVICE CUM SWITCH OR DENSITY MONITORS AND PRESSURE GAUGE, AS APPLICABLE	item44	1	SET	INR			0.00			0.00		0.000	0.000	INR Zero Only
3.17	GIS SPARES: SWITCHYARD EQUIPMENT ACCESSORIES-MOLECULAR FILTER FOR SF6 GAS WITH FILTER BAGS	item45	1	SET	INR			0.00			0.00		0.000	0.000	INR Zero Only
3.18	GIS SPARES: SWITCHYARD EQUIPMENT ACCESSORIES-COVERS WITH ALL ACCESSORIES NECESSARY TO CLOSE A COMPARTMENT IN CASE OF DISMANTLING OF ANY PART OF THE ENCLOSURE TO ENSURE THE SEALING OF THE COMPARTMENT FOR 1 PHASE ENCLOSURE	item46	1	SET	INR			0.00			0.00		0.000	0.000	INR Zero Only
3.19	GIS SPARES: SWITCHYARD EQUIPMENT ACCESSORIES-LOCKING DEVICE TO KEEP THE DIS-CONNECTORS AND EARTHING SWITCHES IN CLOSE OR OPEN POSITION IN CASE OF REMOVAL OF THE DRIVING MECHANISM (IF APPLICABLE)	item47	3	NO.	INR			0.00			0.00		0.000	0.000	INR Zero Only
3.2	GIS SPARES: SWITCHYARD EQUIPMENT ACCESSORIES-BUS SUPPORT INSULATOR OF EACH TYPE FOR SINGLE PHASE ENCLOSURE	item48	1	SET	INR			0.00			0.00		0.000	0.000	INR Zero Only
3.21	GIS SPARES: SWITCHYARD EQUIPMENT ACCESSORIES-SF6 TO AIR BUSHING FOR 1 PHASE ENCLOSURE	item49	2	NO.	INR			0.00			0.00		0.000	0.000	INR Zero Only
3.22	GIS SPARES: SWITCHYARD EQUIPMENT ACCESSORIES-RELAY OF EACH TYPE & RATING	item50	1	SET	INR			0.00			0.00		0.000	0.000	INR Zero Only
3.23	GIS SPARES: SWITCHYARD EQUIPMENT ACCESSORIES-ALL TYPES OF CORONA SHIELD	item51	1	SET	INR			0.00			0.00		0.000	0.000	INR Zero Only
3.24	GIS SPARES: SWITCHYARD EQUIPMENT ACCESSORIES-WINDOW SCOPE/ OBSERVING WINDOW (IF APPLICABLE)	item52	1	SET	INR			0.00			0.00		0.000	0.000	INR Zero Only
3.25	GIS SPARES: LOCAL CONTROL PANEL	item53	1	SET	INR			0.00			0.00		0.000	0.000	INR Zero Only

Tender Inviting Authority: BHEL TBG NOIDA

Name of Work: 400kV GIS for 1X800 MW Ukai TPP Extension Unit#7

NIT/Enquiry No: NIT No.83363_61Q2500151 Dtd: 24-06-2024

Name of the Bidder/ Bidding Firm / Company :

PRICE SCHEDULE															
(This BOQ template must not be modified/replaced by the bidder and the same should be uploaded after filling the relevant columns, else the bidder is liable to be rejected for this tender. Bidders are allowed to enter the Bidder Name and Values only)															
NUMBER #	TEXT #	TEXT #	NUMBER #	TEXT #	TEXT #	NUMBER #	NUMBER	NUMBER	NUMBER	NUMBER	NUMBER	NUMBER #	NUMBER #	NUMBER #	TEXT #
Sl. No.	Item Description	Item Code / Make	Quantity	Units	Quoted Currency in INR / Other Currency	Unit RATE in Figures To be entered by the Bidder in Rs. P	GST (in Percentage)	GST Amount (Unit Rate*Quantity* GST) Rs. P	Unit Freight & Insurance Charges in Rs. P	GST (in Percentage)	GST Amount on F&I (Unit Rate*Quantity*GST) Rs. P	HSN / SAC Code	TOTAL Ex-Works + F & I AMOUNT excluding GST in Rs. P	TOTAL Ex-Works + F & I AMOUNT including GST in Rs. P	TOTAL AMOUNT in Words
1	2	3	4	5	12	13	14	15	16	20	21	51	53	54	55
3.26	GIS SPARES: COMPLETE MODULE FOR 400 KV BREAKER	item54	1	SET	INR			0.00			0.00		0.000	0.000	INR Zero Only
3.27	GIS SPARES: COMPLETE MODULE FOR 400KV CT	item55	1	SET	INR			0.00			0.00		0.000	0.000	INR Zero Only
3.28	GIS SPARES: COMPLETE MODULE FOR 400KV PT/ VT	item56	1	SET	INR			0.00			0.00		0.000	0.000	INR Zero Only
3.29	GIS SPARES: SF6 GAS	item57	1	SET	INR			0.00			0.00		0.000	0.000	INR Zero Only
3.3	GIS SPARES: DUCT INSULATOR	item58	1	SET	INR			0.00			0.00		0.000	0.000	INR Zero Only
3.31	GIS SPARES: SET OF GASKETS, O RINGS	item59	5	SET	INR			0.00			0.00		0.000	0.000	INR Zero Only
3.32	GIS SPARES: SF6 GAS FILLING KIT	item60	1	SET	INR			0.00			0.00		0.000	0.000	INR Zero Only
3.33	GIS SPARES: CRM, DCRM KIT WITH TRANSDUCER OF APPROPRIATE BREAKER FITTINGS	item61	1	SET	INR			0.00			0.00		0.000	0.000	INR Zero Only
4.01	SPARES- GIS: REFERENCE UNIT PRICE FOR ADDITION / DELETION OF SUPPLY ITEMS: 400KV, OPERATING MECHANISM FOR CIRCUIT BREAKER COMPLETE IN ALL RESPECT	item62	1	Set	INR			0.00			0.00		0.000	0.000	INR Zero Only
4.02	SPARES- GIS: REFERENCE UNIT PRICE FOR ADDITION / DELETION OF SUPPLY ITEMS: 400KV, OPERATING MECHANISM FOR DISCONNECTOR	item63	1	Set	INR			0.00			0.00		0.000	0.000	INR Zero Only
4.03	SPARES- GIS: REFERENCE UNIT PRICE FOR ADDITION / DELETION OF SUPPLY ITEMS: 400KV, OPERATING MECHANISM FOR MAINTENANCE EARTHING SWITCH COMPLETE IN ALL RESPECT	item64	1	Set	INR			0.00			0.00		0.000	0.000	INR Zero Only
4.04	SPARES- GIS: REFERENCE UNIT PRICE FOR ADDITION / DELETION OF SUPPLY ITEMS: 400KV, OPERATING MECHANISM FOR FAST ACTING/ HIGH SPEED GROUNDING SWITCH COMPLETE IN ALL RESPECT	item65	1	Set	INR			0.00			0.00		0.000	0.000	INR Zero Only

Tender Inviting Authority: BHEL TBG NOIDA

Name of Work: 400kV GIS for 1X800 MW Ukai TPP Extension Unit#7

NIT/Enquiry No: NIT No.83363_61Q2500151 Dtd: 24-06-2024

Name of the Bidder/ Bidding Firm / Company :

PRICE SCHEDULE															
(This BOQ template must not be modified/replaced by the bidder and the same should be uploaded after filling the relevant columns, else the bidder is liable to be rejected for this tender. Bidders are allowed to enter the Bidder Name and Values only)															
NUMBER #	TEXT #	TEXT #	NUMBER #	TEXT #	TEXT #	NUMBER #	NUMBER	NUMBER	NUMBER	NUMBER	NUMBER	NUMBER #	NUMBER #	NUMBER #	TEXT #
Sl. No.	Item Description	Item Code / Make	Quantity	Units	Quoted Currency in INR / Other Currency	Unit RATE in Figures To be entered by the Bidder in Rs. P	GST (in Percentage)	GST Amount (Unit Rate*Quantity* GST) Rs. P	Unit Freight & Insurance Charges in Rs. P	GST (in Percentage)	GST Amount on F&I (Unit Rate*Quantity*GST) Rs. P	HSN / SAC Code	TOTAL Ex-Works + F & I AMOUNT excluding GST in Rs. P	TOTAL Ex-Works + F & I AMOUNT including GST in Rs. P	TOTAL AMOUNT in Words
1	2	3	4	5	12	13	14	15	16	20	21	51	53	54	55
4.05	SPARES- GIS: REFERENCE UNIT PRICE FOR ADDITION / DELETION OF SUPPLY ITEMS: 400KV, MAINTENANCE EARTHING SWITCH COMPLETE IN ALL RESPECT	item66	1	Set	INR			0.00			0.00		0.000	0.000	INR Zero Only
4.06	SPARES- GIS: REFERENCE UNIT PRICE FOR ADDITION / DELETION OF SUPPLY ITEMS: 400KV, FAST ACTING/ HIGH SPEED GROUNDING SWITCH COMPLETE IN ALL RESPECT	item67	1	Set	INR			0.00			0.00		0.000	0.000	INR Zero Only
4.07	SPARES- GIS: REFERENCE UNIT PRICE FOR ADDITION / DELETION OF SUPPLY ITEMS: 400KV, SINGLE PHASE BUS BAR	item68	1	Mtrs	INR			0.00			0.00		0.000	0.000	INR Zero Only
4.08	SPARES- GIS: REFERENCE UNIT PRICE FOR ADDITION / DELETION OF SUPPLY ITEMS: 400KV, GIS METALLIC ENCLOSURE	item69	50	Kgs	INR			0.00			0.00		0.000	0.000	INR Zero Only
4.09	SPARES- GIS: REFERENCE UNIT PRICE FOR ADDITION / DELETION OF SUPPLY ITEMS: 400KV, EXPANSION JOINTS	item70	1	Set	INR			0.00			0.00		0.000	0.000	INR Zero Only
4.1	SPARES- GIS: REFERENCE UNIT PRICE FOR ADDITION / DELETION OF SUPPLY ITEMS: 400KV, FLEXIBLE CONNECTIONS	item71	1	Set	INR			0.00			0.00		0.000	0.000	INR Zero Only
4.11	SPARES- GIS: REFERENCE UNIT PRICE FOR ADDITION / DELETION OF SUPPLY ITEMS: 400KV, BARRIER INSULATOR	item72	1	Set	INR			0.00			0.00		0.000	0.000	INR Zero Only
4.12	SPARES- GIS: REFERENCE UNIT PRICE FOR ADDITION / DELETION OF SUPPLY ITEMS: 400KV, NON-BARRIER INSULATOR	item73	1	Set	INR			0.00			0.00		0.000	0.000	INR Zero Only
4.13	SPARES- GIS: REFERENCE UNIT PRICE FOR ADDITION / DELETION OF SUPPLY ITEMS: 400KV, GAS SEALS	item74	1	Set	INR			0.00			0.00		0.000	0.000	INR Zero Only
4.14	SPARES- GIS: REFERENCE UNIT PRICE FOR ADDITION / DELETION OF SUPPLY ITEMS: 400KV, GAS DENSITY MONITOR SWITCH	item75	1	Set	INR			0.00			0.00		0.000	0.000	INR Zero Only

Tender Inviting Authority: BHEL TBG NOIDA

Name of Work: 400kV GIS for 1X800 MW Ukai TPP Extension Unit#7

NIT/Enquiry No: NIT No.83363_61Q2500151 Dtd: 24-06-2024

Name of the Bidder/ Bidding Firm / Company :

PRICE SCHEDULE															
(This BOQ template must not be modified/replaced by the bidder and the same should be uploaded after filling the relevant columns, else the bidder is liable to be rejected for this tender. Bidders are allowed to enter the Bidder Name and Values only)															
NUMBER #	TEXT #	TEXT #	NUMBER #	TEXT #	TEXT #	NUMBER #	NUMBER	NUMBER	NUMBER	NUMBER	NUMBER	NUMBER #	NUMBER #	NUMBER #	TEXT #
Sl. No.	Item Description	Item Code / Make	Quantity	Units	Quoted Currency in INR / Other Currency	Unit RATE in Figures To be entered by the Bidder in Rs. P	GST (in Percentage)	GST Amount (Unit Rate*Quantity*GST) Rs. P	Unit Freight & Insurance Charges in Rs. P	GST (in Percentage)	GST Amount on F&I (Unit Rate*Quantity*GST) Rs. P	HSN / SAC Code	TOTAL Ex-Works + F & I AMOUNT excluding GST in Rs. P	TOTAL Ex-Works + F & I AMOUNT including GST in Rs. P	TOTAL AMOUNT in Words
1	2	3	4	5	12	13	14	15	16	20	21	51	53	54	55
4.15	SPARES- GIS: REFERENCE UNIT PRICE FOR ADDITION / DELETION OF SUPPLY ITEMS: 400KV, GAS PRESSURE SWITCH	item76	1	Set	INR			0.00			0.00		0.000	0.000	INR Zero Only
4.16	SPARES- GIS: REFERENCE UNIT PRICE FOR ADDITION / DELETION OF SUPPLY ITEMS: 400KV, TEE BEND	item77	1	Set	INR			0.00			0.00		0.000	0.000	INR Zero Only
4.17	SPARES- GIS: REFERENCE UNIT PRICE FOR ADDITION / DELETION OF SUPPLY ITEM: 400KV, ANGLE BEND	item78	1	Set	INR			0.00			0.00		0.000	0.000	INR Zero Only
4.18	SPARES- GIS: REFERENCE UNIT PRICE FOR ADDITION / DELETION OF SUPPLY ITEM: 400KV, L-BEND	item79	1	Set	INR			0.00			0.00		0.000	0.000	INR Zero Only
5.01	SERVICES- 400kV GIS: SUPERVISION OF ERECTION OF GIS	item80	12	Bays	INR			0.00			0.00		0.000	0.000	INR Zero Only
5.02	SERVICES- 400kV GIS: SUPERVISION OF ERECTION OF 1-PHASE GAS INSULATED BUS DUCT	item81	1500	MTR	INR			0.00			0.00		0.000	0.000	INR Zero Only
5.03	SERVICES- 400kV GIS: SUPERVISION OF ERECTION OF 1 PHASE SF6 TO AIR BUSHING	item82	24	SET	INR			0.00			0.00		0.000	0.000	INR Zero Only
5.04	SERVICES- 400kV GIS: SUPERVISION OF ERECTION OF 1 PHASE SF6 TO OIL BUSHING (POLYMER)	item83	1	SET	INR			0.00			0.00		0.000	0.000	INR Zero Only
5.05	SERVICES- 400kV GIS: SUPERVISION OF ERECTION OF 1 PHASE SURGE ARRESTER WITH SURGE COUNTER	item84	24	SET	INR			0.00			0.00		0.000	0.000	INR Zero Only
5.06	SERVICES- 400kV GIS: SUPERVISION OF ERECTION OF 1 PHASE VOLTAGE TRANSFORMER	item85	1	SET	INR			0.00			0.00		0.000	0.000	INR Zero Only
5.07	SERVICES- 400kV GIS: TESTING & COMMISSIONING OF GIS	item86	12	Bays	INR			0.00			0.00		0.000	0.000	INR Zero Only
5.08	SERVICES- 400kV GIS : TESTING & COMMISSIONING OF GAS INSULATED BUS DUCT	item87	1500	MTR	INR			0.00			0.00		0.000	0.000	INR Zero Only
5.09	SERVICES- 400kV GIS : FINAL SUCCESSFUL HV/ POWER FREQUENCY TESTING OF GIS INCLUDING ARRANGING OF HV TEST KIT ALONG WITH OPERATOR	item88	12	Bays	INR			0.00			0.00		0.000	0.000	INR Zero Only
5.10	SERVICES- 400kV GIS : INSULATION CO-ORDINATION STUDIES FOR GIS SYSTEM	item89	1	LOT	INR			0.00			0.00		0.000	0.000	INR Zero Only

Tender Inviting Authority: BHEL TBG NOIDA

Name of Work: 400kV GIS for 1X800 MW Ukai TPP Extension Unit#7

NIT/Enquiry No: NIT No.83363_61Q2500151 Dtd: 24-06-2024

Name of the Bidder/ Bidding Firm / Company :

PRICE SCHEDULE
 (This BOQ template must not be modified/replaced by the bidder and the same should be uploaded after filling the relevant columns, else the bidder is liable to be rejected for this tender. Bidders are allowed to enter the Bidder Name and Values only)

NUMBER #	TEXT #	TEXT #	NUMBER #	TEXT #	TEXT #	NUMBER #	NUMBER	NUMBER	NUMBER	NUMBER	NUMBER	NUMBER #	NUMBER #	NUMBER #	TEXT #
Sl. No.	Item Description	Item Code / Make	Quantity	Units	Quoted Currency in INR / Other Currency	Unit RATE in Figures To be entered by the Bidder in Rs. P	GST (in Percentage)	GST Amount (Unit Rate*Quantity* GST) Rs. P	Unit Freight & Insurance Charges in Rs. P	GST (in Percentage)	GST Amount on F&I (Unit Rate*Quantity*GST) Rs. P	HSN / SAC Code	TOTAL Ex-Works + F & I AMOUNT excluding GST in Rs. P	TOTAL Ex-Works + F & I AMOUNT including GST in Rs. P	TOTAL AMOUNT in Words
1	2	3	4	5	12	13	14	15	16	20	21	51	53	54	55
5.11	SERVICES- 400kV GIS : TRAINING FOR GIS AT SITE	item90	2	DAY	INR			0.00			0.00		0.000	0.000	INR Zero Only
5.12	SERVICES- 400kV GIS : TRAINING FOR GIS AT MANUFACTURER WORKS	item91	2	DAY	INR			0.00			0.00		0.000	0.000	INR Zero Only
6.01	SERVICES- GIS : REFERENCE UNIT PRICE FOR ADDITION / DELETION OF SERVICES: - SERVICES FOR SUPERVISION OF ERECTION OF GIS	item92	10	MANDAY	INR			0.00			0.00		0.000	0.000	INR Zero Only
6.02	SERVICES- GIS : REFERENCE UNIT PRICE FOR ADDITION / DELETION OF SERVICES: - SERVICES FOR TESTING & COMMISSIONING OF GIS	item93	10	MANDAY	INR			0.00			0.00		0.000	0.000	INR Zero Only
6.03	SERVICES- GIS : REFERENCE UNIT PRICE FOR ADDITION / DELETION OF SERVICES: : DEMOBILIZATION AND REMOBILIZATION CHARGES FOR GIS ERECTION SUPERVISION TEAM	item94	2	Set	INR			0.00			0.00		0.000	0.000	INR Zero Only
6.04	SERVICES- GIS : REFERENCE UNIT PRICE FOR ADDITION / DELETION OF SERVICES: : DEMOBILIZATION AND REMOBILIZATION CHARGES FOR GIS TESTING & COMMISSIONING TEAM	item95	2	Set	INR			0.00			0.00		0.000	0.000	INR Zero Only
6.05	SERVICES- GIS : REFERENCE UNIT PRICE FOR ADDITION / DELETION OF SERVICES: : DEMOBILIZATION & REMOBILIZATION CHARGES OF HV TEST KIT ALONG WITH OPERATOR	item96	1	Lot	INR			0.00			0.00		0.000	0.000	INR Zero Only
Total in Figures													0.000	0.000	Zero Only
otated Rate in Words		INR Zero Only													