



**Bharat Heavy Electricals Limited**  
Industrial Valves Plant  
Goindwal Sahib (Punjab)

**Enquiry No.**  
**2223-072E**

**Date:**  
**06.01.2023**

NOTICE INVITING TENDER (NIT)

Dear Sir / Madam,

BHEL Goindwal Sahib (Punjab) invites offers from interested bidders / suppliers for submission of their offer through e-procurement mode at <https://eprocurebhel.co.in/>. Offers in any other mode will not be accepted. In case of any difficulty faced while registering on BHEL's e-Procurement portal developed by NIC, queries may be addressed to 0120-4001002, 0120-4001005 and 0120-6277787; email: [support-eproc@nic.in](mailto:support-eproc@nic.in). These details are also available on 'Contact Us' page of the portal.

<b>Tender enquiry no. &amp; date</b>	2223-072E dated 06.01.2023
<b>Form of contract</b>	Supply
<b>Tender / Item description</b>	Fasteners GVFST
<b>Material standard / Drawings</b>	As per attached TDC(s) and Drawings, BPS, TSB.
<b>Location(s) of Supply / Work</b>	BHEL, IVP Goindwal, Punjab – 143422, India.
<b>Earnest Money Deposit (EMD)</b>	Not Applicable
<b>Quotation parts</b>	Two Part Bid
<b>Tender download / Bid submission start date</b>	<b>06.01.2023 (17:00 Hrs. IST)</b>
<b>Tender download / Bid submission end date</b>	<b>17.01.2023 (12:00 Hrs. IST)</b>
<b>Tender / Bid opening date</b>	<b>17.01.2023 (15:30 Hrs. IST)</b>
<b>Validity of offer (In days)</b>	70 days from techno commercial bid opening (Part I)
<b>Quantity variation</b>	+/- 10% of tender quantity
<b>Delivery schedule</b>	Within 90 days from the date of PO placement / LOI
<b>Tender evaluation</b>	Item Wise as detailed in Special Terms and Conditions
<b>Reverse auction</b>	Not Applicable
<b>Make In India (MII) Purchase Preference</b>	Applicable
<b>MSE reserved</b>	Items are reserved for MSE Manufactures
<b>Contact person details</b>	Sumeet Bansal, Sr. Manager 01859-224 628, <a href="mailto:sbansal@bhel.in">sbansal@bhel.in</a>  Pranshu, Dy. Manager 01859-224 685, <a href="mailto:pranshu@bhel.in">pranshu@bhel.in</a>



## SPECIAL TERMS AND CONDITIONS

Tender Enquiry No. 2223-072E Dated 06.01.2023 **Due date 17.01.2023**

**Tender Description:** Supply of Fasteners GVFST

### S1. SCOPE OF SUPPLY

Material shall be supplied as per the applicable TDC/drawing as mentioned in the Table - 1. National & International material standards shall have to be arranged by bidders themselves.

**Table 1 : List of Items along with Applicable TDC (Technical Delivery Condition) and Drawing Number.**

Sl. No.	Material Code	Description	Quantity (Nos.)	Material Type	Drawing / BPS / TSB No.	TDC No./ Rev no.	L1 Comparison will be done as
10	411171612000	FT STUD-M16x120 -B7	3000		BPS-41117		SET
20	413190001600	NUT -M16 -2H	6000		BPS-41319		
30	411172415000	FT STUD-M24x150 -B7	1000		BPS-41117		SET
40	413190002400	Hex Nut Gr B M24 T425 BPS 41319	2000		BPS-41319		
50	964562680000	FT STUD-1/2"x80 -B7-N081	2000		3VN08106875/02	TDC:5:164/09	SET
60	964562790000	NUT -1/2" -2H-N073	4000		3VN07306876/03	TDC:5:164/09	
70	964562740000	FT STUD-3/4"x120 -B7-N041	2000		3VN04106875/02	TDC:5:164/09	SET
80	964562810000	NUT -3/4" -2H-N057	4000		3VN05706876/03	TDC:5:164/09	
90	964562750000	FT STUD-3/4"x133 -B7-N089	1000		3VN08906875/02	TDC:5:164/09	SET
100	964562810000	NUT -3/4" -2H-N057	2000		3VN05706876/03	TDC:5:164/09	
110	964564560000	FT STUD-7/8"x150 -B7-N212	1000		3VN21206875/02	TDC:5:164/09	SET
120	964564310000	NUT -7/8" -2H-N206	2000		3VN20606876/02	TDC:5:164/09	
130	964656360000	FT STUD-5/8"-11UNC-2A-86-B8M	2000	Stainless steel	3V000223248/01		SET
140	964656490000	HEX NUT-5/8"-11UNC-2B-GR.8M	4000	Stainless steel	3V000223249/00		
150	964656370000	FT STUD-5/8"-11UNC-2A-105-B8M	2000	Stainless steel	3V000323248/01		SET
160	964656490000	HEX NUT-5/8"-11UNC-2B-GR.8M	4000	Stainless steel	3V000223249/00		



## SPECIAL TERMS AND CONDITIONS

Tender Enquiry No. 2223-072E Dated 06.01.2023 **Due date 17.01.2023**

Tender Description: Supply of Fasteners GVST

Sl. No.	Material Code	Description	Quantity (Nos.)	Material Type	Drawing / BPS / TSB No.	TDC No./ Rev no.	L1 Comparison will be done as (A)
170	964658930000	FT STUD-M24x3x150 -B8M	3000	Stainless steel	3V000725897/01		SET
180	964658960000	NUT -M24x3 - 8M	6000	Stainless steel	4V000727368/00		
190	931055020000	INDICATOR STUD M20X140 - K591	50		4VK59106800/00		SET
200	413190002000	NUT -M20 -2H	100		BPS-41319		
210	931191430000	INDICATOR STUD-W084	50		4VW08406800/00	TDC:5:164/09	SET
220	413190001600	NUT -M16 -2H	100		BPS-41319		
230	411011296000	DE STUD-M12x60 -6.6-IS1862-A-TL72-CAD	1000		BPS-41101		No.

**Please take special attention of material type as stainless steel and class of fasteners and quote prices accordingly. For detail technical requirement please check applicable drawing/TDC/BPS/IS standard as mentioned in above list of items.**

### **SPECIAL NOTES:**

- Bidder has to submit Unit rate for Each item in the Price Bid/BOQ (Part-II), However evaluation of rates shall be done as per column A (L1 Comparison will be done as). Wherever unit of comparison is set, the quotation where bidders have quoted for both Studs and nuts (i.e. both items of set) shall only be considered. The material should be supply in assembled condition wherever unit of L1 Comparison is set. Wherever unit of L1 Comparison is no (number), the comparison will be done number-wise only.*
- The L1 evaluation will be done as per Set wise or number wise as per unit of L1 Comparison mentioned in column A of above table, so please take special attention while quoting prices in Part-II (BOQ).*
- Wherever the nuts are repeating that is item Sr. no. 20 and 220; 80 and 100; 140 and 160 of Table 1, minimum of the quoted rates will be considered for such nuts by the vendor.*
- For item Sr.no. 10 to 220, 1 SET = 1 STUD AND 2 NUTS.*
- Quality Assurance Plan Applicable for Fasteners, document number BHE:QP:FAS:02 dt. 15.03.2019 and BHE:SQAP:SS:01 dt. 12.08.2021 (for B8M Fasteners).*

**ALL THESE ABOVE ITEMS ARE RESERVED FOR MSE MANUFACTURERS ONLY.**

## **S2. PRE-QUALIFICATION CRITERIA (PQC)**

Bidder has to submit following documents to fulfil PQC:

- Supplier shall be manufacturer of Fasteners. Offers from Traders/Dealers/Stockists/agents will summarily be rejected. Submission of UAM/Udyam Certificate or any valid Certificate from bidder for proof as MSE manufacturer is mandatory.



## SPECIAL TERMS AND CONDITIONS

Tender Enquiry No. 2223-072E Dated 06.01.2023 **Due date 17.01.2023**

**Tender Description:** Supply of Fasteners GVFST

2. Bidder has to submit one or more purchase order/s of Fasteners from any customer with minimum cumulative value of Rs. 10,00,000 (Ten Lacs) as proof. PO date should be 01.01.2020 or afterwards till the tender opening date". The invoice copies w.r.t. submitted PO are also required as proof of order completion. All mentioned values are net of taxes.

Start-ups shall be exempted from this criterion of Purchase order and invoice submission without any relaxation in quality standards or technical parameters as per D.O. No. 5(4)/2016-BE-I dated 15.02.2017. For claiming Start-Up exemption, vendors have to submit DPIIT (Dept. of Promotion of Industry and Internal Trade)/DIPP (Department for Industrial Policy and Promotion) recognition certificates.

### **S3. PART-I: TECHNO-COMMERCIAL BID**

**This tender is through e-procurement mode** for supply of "Fasteners GVSFT" as per specifications mentioned in below tender terms. Bidder has to submit their offer on BHEL e-Procurement portal at <https://eprocurebhel.co.in/>. **Offer in any other mode will not be accepted.** Please refer clause no. 1.2 of General Contract Conditions of MM Tenders (GCC), regarding instructions to bidder for submission of offer on BHEL e-procurement portal.

Tenders shall be submitted in Two parts on or before the due date and time indicated in the NIT

#### **Part-I: Techno-Commercial Bid**

Bid should contain all the documents/confirmations as per following details:

- a) Acceptance of Techno-Commercial terms and conditions shall be attached along with bid document (Duly filled Part-I Techno-Commercial Bid Questionnaire)

*IF THE OFFER IS NOT ACCOMPANIED WITH ACCEPTANCE OF TERMS AND CONDITIONS, IT SHALL BE CONCLUDED THAT ALL THE TERMS AND CONDITIONS ARE ACCEPTABLE AND NO CLAIM WHATSOEVER SHALL BE ENTERTAINED LATER ON.*

- b) Documents as per Pre-Qualification Criteria (PQC).  
c) Duly filled Annexure - A (Declaration for RESTRICTIONS UNDER RULE 144(XI))  
d) Duly Filled Annexure - B (Make in India declaration certificate)  
e) Any other document (if any)

#### **Part-II: Price Bid**

Price Bid as per the attached format.

### **S4. REVERSE AUCTION**

Reverse auction will not be conducted in this tender enquiry.

### **S5. DELIVERY SCHEDULE**

Delivery shall be within 90 days from date of Purchase Order/ Letter of Intent.



## SPECIAL TERMS AND CONDITIONS

Tender Enquiry No. 2223-072E Dated 06.01.2023 **Due date 17.01.2023**

**Tender Description:** Supply of Fasteners GVFST

### **S6. LOADING CRITERIA CUM COUNTER OFFER**

No counter-offer will be given in this Tender Enquiry.

### **S7. PAYMENT TERMS**

Payments shall be made to the Seller within the mentioned days (as per below table) from the date of receipt and acceptance of material.

Type of Bidder	Payment Terms (Number of days)
Micro & Small Enterprises (MSEs)	45 days
Medium Enterprises	60 days
Non MSME	90 days

To be considered as Micro, Small or Medium enterprise, bidder must be manufacturer of offer product and relevant valid certificate as per latest MSME guidelines is to be submitted along with bid. In case of bid submitted as trader / dealer etc., bidder will be considered as Non-MSME. Also, if no valid certificate as per latest MSME guidelines is not submitted along with bid, then bidder will be considered as Non-MSME.

### **S8. CONFLICT OF INTEREST AMONG BIDDERS/ AGENTS**

A bidder shall not have conflict of interest with other bidders. Such conflict of interest can lead to anti-competitive practices to the detriment of Procuring Entity's interests. The bidder found to have a conflict of interest shall be disqualified. A bidder may be considered to have a conflict of interest with one or more parties in this bidding process, if:

- a) they have controlling partner (s) in common; or
- b) they receive or have received any direct or indirect subsidy/ financial stake from any of them; or
- c) they have the same legal representative/agent for purposes of this bid; or they have relationship with each other, directly or through common third parties, that puts them in a position to have access to information about or influence on the bid of another Bidder; or
- e) Bidder participates in more than one bid in this bidding process. Participation by a Bidder in more than one Bid will result in the disqualification of all bids in which the parties are involved. However, this does not limit the inclusion of the components/ sub-assembly/ Assemblies from one bidding manufacturer in more than one bid.
- f) In cases of agents quoting in offshore procurements, on behalf of their principal manufacturers, one agent cannot represent two manufacturers or quote on their behalf in a particular tender enquiry. One manufacturer can also authorise only one agent/dealer.

There can be only one bid from the following:

1. The principal manufacturer directly or through one Indian agent on his behalf; and
2. Indian/foreign agent on behalf of only one principal.



## SPECIAL TERMS AND CONDITIONS

Tender Enquiry No. 2223-072E Dated 06.01.2023 **Due date 17.01.2023**

**Tender Description:** Supply of Fasteners GVFST

g) a Bidder or any of its affiliates participated as a consultant in the preparation of the design or technical specifications of the contract that is the subject of the Bid;

h) In case of a holding company having more than one independently manufacturing units, or more than one unit having common business ownership/management, only one unit should quote. Similar restrictions would apply to closely related sister companies. Bidders must proactively declare such sister/ common business/ management units in same/ similar line of business.

**These Special terms & conditions along with NIT and General Contract Conditions (GCC) collectively are the part of tender terms and conditions.**



## General Contract Conditions (GCC) of MM Tenders

### BHARAT HEAVY ELECTRICALS LIMITED

Industrial Valve Plant: 433, Industrial Complex,  
Goindwal Sahib, Dist. Tarn Taran,  
Punjab-143422 (INDIA)

## TABLE OF CONTENTS

1. INSTRUCTION TO BIDDER.....	2
2. SCOPE OF SUPPLY .....	2
3. PRICE BASIS .....	3
4. DISCREPANCY IN WORDS AND FIGURES.....	3
5. EVALUATION IN CASE OF MORE THAN ONE L-1 BIDDER.....	3
6. REVERSE AUCTION .....	4
7. VALIDITY OF OFFERS .....	4
8. SUPPLIED MATERIAL ADJUSTMENT.....	4
9. DELIVERY SCHEDULE .....	4
10. LIQUIDATED DAMAGES (LD) FOR LATE DELIVERY .....	4
11. PAYMENT TERMS .....	5
12. TAXES & DUTIES.....	5
13. LIABILITY UNDER REVERSE CHARGE (RCM) .....	6
14. ACCESS TO MANUFACTURING PREMISES .....	6
15. INSPECTION .....	6
16. GUARANTEE / WARRANTEE AND CORRESPONDING REPAIR / REPLACEMENT OF GOODS.....	7
17. LOI (LETTER OF INTENT).....	7
18. SUB-CONTRACT .....	7
19. RISK PURCHASE.....	7
20. FORCE MAJEURE .....	8
21. NON-DISCLOSURE AGREEMENT.....	9
22. CLARIFICATIONS .....	9
23. PREFERENCES FOR MICRO AND SMALL ENTERPRISES (MSEs).....	9
24. PREFERENCE TO MAKE IN INDIA .....	10
25. RESTRICTIONS UNDER RULE 144(XI) OF THE GENERAL FINANCIAL RULES (GFRs), 2017 .....	10
26. DISPUTES.....	11
27. JURISDICTION.....	11
28. BANNED FIRMS .....	11
29. FRAUD PREVENTION POLICY.....	11
30. PREVENTIVE CHECKS TO ELIMINATE SUSPECTED CARTEL FORMATION .	11
31. SUSPENSION OF BUSINESS DEALINGS WITH DEFAULTERS.....	11
32. GENERAL.....	12





## General Contract Conditions (GCC) of MM Tenders

### BHARAT HEAVY ELECTRICALS LIMITED

Industrial Valve Plant: 433, Industrial Complex,  
Goindwal Sahib, Dist. Tarn Taran,  
Punjab-143422 (INDIA)

## 1. INSTRUCTION TO BIDDER

Quotations shall be submitted before due date and time. Late offers are liable to be rejected, so please ensure to submit bid well within due date and time. Techno-commercial part will be opened on due date.

**Based on evaluation of techno-commercial offers, Price bids of bidders who qualify from techno-commercial evaluation shall be opened. BHEL may decide to open the Price bid same day at 1700 hrs. If not opened on the same day, all qualifying bidders shall be notified for date of opening of Price bids by email/fax/post/courier/E-procurement system generated email.**

### 1.1 Instruction to Bidder (In case of Non-E-Procurement / Paper/ Manual/ Hard Copy based tenders)

Sealed Tenders can be dropped in the tender box labeled as 'Tender box for MM contracts'. This tender box is located at the entrance of Admin block BHEL Goindwal. Quotations can also be submitted through e-mail at [tendermm\\_ivp@bhel.in](mailto:tendermm_ivp@bhel.in). Offers received in time shall be considered only when offers are complete in all respects. In case of bulky tenders, please handover quotation to Sh. Rakesh Kumar/ SDGM - Head-MM or Sh. Sumeet Bansal / Sr. Manager - MM [Contact: 01859 224 615 / 628]. Bid can be sent to following address:

**BHEL, Industrial Valve Plant,  
#433, Industrial Complex,  
Goindwal Sahib, Distt. Tarn Taran,  
Punjab-143422.**

### 1.2 Instruction to bidder (In case of E-Procurement)

- Interested bidders / suppliers shall submit their offer through e-procurement mode at <https://eprocurebhel.co.in/>.
- Offers in any other mode will not be accepted.**
- Procedure for submission of tender is available in the "Bidder Manual Kit" at e-tender portal <https://eprocurebhel.co.in/>.
- In case of any difficulty faced while registering on BHEL's e-Procurement portal developed by NIC, queries may be addressed to 0120-4001002, 0120-4001005 and 0120-6277787; email: [support-eproc@nic.in](mailto:support-eproc@nic.in). These details are also available on 'Contact Us' page of the portal.
- Before uploading scanned documents if any, the bidders shall sign on all the statements, documents, certificates uploaded by him, owning responsibility for their correctness / authenticity.
- Disclaimer clause:** Neither the Organization (Bharat Heavy Electricals Ltd.) nor the service provider is responsible for any failure of submission of bids due to failure of internet or other connectivity problems or reasons thereof.

## 2. SCOPE OF SUPPLY

Material shall be supplied as per the applicable latest Technical Delivery Conditions (TDC)/ Material Standard requirements/BPS/Drawing and other requirement as given in the Tender Enquiry. National





## General Contract Conditions (GCC) of MM Tenders

### BHARAT HEAVY ELECTRICALS LIMITED

Industrial Valve Plant: 433, Industrial Complex,  
Goindwal Sahib, Dist. Tarn Taran,  
Punjab-143422 (INDIA)

& International material Standards shall have to be arranged by vendors themselves. Latest applicable revisions of standards/procedures to be referred.

All required tests as called in referred material standard/BHEL/TDC/drawing etc. shall be carried out by vendor at no extra cost. Material Test Certificates (MTC), inspection reports and Compliance/Guarantee Certificate are to be provided along with the supplies.

### 3. PRICE BASIS

1. Order of enquiry item sl. no. shall be maintained in the quotation.
2. The rates quoted shall be firm and fixed. No price variation is proposed and allowed.
3. Rates quoted should be FOR BHEL Goindwal basis. The offers quoted on other than FOR Goindwal basis are liable to be rejected.

In case bidder has quoted Ex-works prices, then he/she will be given an opportunity to accept price basis as FOR Goindwal either by accepting delivery as FOR Goindwal in same quoted price or by providing loading factor on his/her quoted ex-works prices to make them FOR prices.

**Variation in GST or any other statutory levies during contractual delivery period shall be to BHEL's account.**

### 4. DISCREPANCY IN WORDS AND FIGURES

1. If, in the price structure quoted for the required goods/ services/ works, there is discrepancy between the unit price and the total price (which is obtained by multiplying the unit price by the quantity}, the unit price shall prevail and the total price corrected accordingly, unless in the opinion of the purchaser there is an obvious misplacement of the decimal point in the unit price, in which case the total price as quoted shall govern and the unit price corrected accordingly.
2. If there is an error in a total corresponding to the addition or subtraction of subtotals, the subtotals shall prevail and the total shall be corrected; and
3. If there is a discrepancy between words and figures, the amount in words shall prevail, unless the amount expressed in words is related to an arithmetic error, in which case the amount in figures shall prevail subject of (a) and (b) above.
4. If there is such discrepancy in an offer, the same shall be conveyed to the bidder with target date upto which the bidder has to send his acceptance on the above lines and if the bidder does not agree to the decision of the purchaser, the bid is liable to be ignored.
5. Bids should be free from correction, overwriting, using corrective fluid, etc. Any interlineation, cutting, erasure or overwriting shall be valid only if they are attested under full signature(s) of person(s) signing the bid else shall be liable for rejection.
6. All overwriting/cutting, etc will be numbered by bid opening officials and announced during bid opening.

### 5. EVALUATION IN CASE OF MORE THAN ONE L-1 BIDDER

In the course of evaluation, if more than one bidder happens to occupy L1 status, effective L1 will be decided by soliciting discounts from the respective L1 bidders.





## General Contract Conditions (GCC) of MM Tenders

### BHARAT HEAVY ELECTRICALS LIMITED

Industrial Valve Plant: 433, Industrial Complex,  
Goindwal Sahib, Dist. Tarn Taran,  
Punjab-143422 (INDIA)

In case more than one bidder happens to occupy the L1 status even after soliciting discounts, the L1 bidder shall be decided by a toss / draw of lots, in the presence of the respective L1 bidder(s) or their representative(s).

Ranking will be done accordingly. BHEL's decision in such situations shall be final and binding.

#### 6. REVERSE AUCTION

In case, it is declared in special terms & conditions of tender enquiry that RA is applicable for the NIT, then RA will be conducted as per following clause:

BHEL shall be resorting to Reverse Auction (RA) (Guidelines as available on <https://www.bhel.com/>) for this tender. RA shall be conducted among the techno-commercially qualified bidders as per RA guidelines.

Price bids of all techno-commercially qualified bidders shall be opened and same shall be considered for RA. In case any bidder(s) do(es) not participate in online Reverse Auction, their sealed envelope price bid along with applicable loading, if any, shall be considered for ranking.

#### 7. VALIDITY OF OFFERS

The offers shall be kept open for acceptance 'for number of days mentioned in special terms and conditions' from the date of opening of the tender. In case of tender extension, the bid validity shall be considered from the date of tender opening.

#### 8. SUPPLIED MATERIAL ADJUSTMENT

Item/s pending in previous PO has to be billed in previous PO only. Otherwise, BHEL will be free to adjust the supplies in previous PO. Any implication of tax will be on supplier's account. For this it is desirable that vendor should reconcile the pending PO statement every month/frequently with BHEL. Vendor can also view these details at Portal (<https://trichy.bhel.com/mm/index.jsp>).

#### 9. DELIVERY SCHEDULE

Supplies shall be affected and completed as per schedule mentioned in special terms and conditions. **Further, BHEL may release delivery schedule from time to time based upon our requirement with mutual understanding.** Vendor shall be required to complete the order as per the BHEL schedule requested. Commencement of delivery period shall be reckoned from the date of PO / LOI or any other agreed milestone.

#### 10. LIQUIDATED DAMAGES (LD) FOR LATE DELIVERY

Time is the essence of the contract'. As such, delivery of goods specified in the Purchase Orders released under the scope of this contract shall be made within the time limit prescribed therein. Penalty for late delivery will be applicable @0.5% of the undelivered portion per week of the delay or part thereof subject to a maximum of 10% of the undelivered portion.





## General Contract Conditions (GCC) of MM Tenders

### BHARAT HEAVY ELECTRICALS LIMITED

Industrial Valve Plant: 433, Industrial Complex,  
Goindwal Sahib, Dist. Tarn Taran,  
Punjab-143422 (INDIA)

In case of Ex-works delivery terms for indigenous supplies, the document date (Invoice/Challan date) in Goods Receipt (GR) document shall be reckoned for LD deduction. In case of FOR Delivery terms for Indigenous supplies, the posting date in GR document shall be reckoned for LD deduction.

If any vendor does not accept LD ½% of the supply for each week of delay subject to a maximum of 5%, their offer is likely to be rejected by BHEL and the price bid shall not be opened. Bidders accepting for 10% LD shall not be loaded on account of LD. However, bidders who offer any other % LD [between 5% to 10%] shall be loaded @ % deviation from 10% and their accepted %. e.g. If a bidder accepts for a max of 7% LD only, their offer would be loaded @ 3% (10 – 7 = 3).

BHEL reserves the right to receive or not receive the material after the due date of PO. Applicable GST shall also be recovered from suppliers/contractors on LD amount. For this Debit note will be issued by BHEL indicating the respective supply invoice number.

### 11. PAYMENT TERMS

1. Due payment against supplies received shall be due after 30 days of receipt and acceptance of material and shall be paid within next 15 days' period. In case of any deviation from standard payment term mentioned, BHEL at its discretion may load on the item price at 'Base rate of SBI (as applicable on the date of bid opening; Techno-commercial bid opening) + 6% shall be considered for loading for the period of relaxation sought by bidders.
2. Documents to be submitted (if applicable)
  - i) Tax invoice (Invoice shall be GST compliant and should contains all the required information such as GST No, HSN code etc.)
  - ii) Transporter copy along with material/consignment.
  - iii) Material Test Certificates (MTC) and
  - iv) Compliance Certificate.
3. GST registration number is to be submitted by qualified vendor as per GST law.
4. It is mandatory to mention proper material codes in the invoices and separate invoices to be raised for different POs.
5. **BHEL releases payment through EFT mode ONLY. Necessary details may please be submitted by filling required format before release of payment.**

### 12. TAXES & DUTIES

Payment of GST portion will be released to vendor only upon completion of statutory requirement and further subject to following:

- a) Vendor declaring such invoice in his GSTR-1 and
- b) Receipt of goods and Tax invoice by BHEL and
- c) Confirmation of payment of GST thereon by vendor on GSTN portal.
- d) Above is subject to receipt of goods/service and tax invoice thereof along with vendor declaring invoice in his return and paying GST within timeline prescribed for availing ITC by BHEL.

Following may please be noted for availing Input Tax Credit (ITC) by BHEL:





## General Contract Conditions (GCC) of MM Tenders

### BHARAT HEAVY ELECTRICALS LIMITED

Industrial Valve Plant: 433, Industrial Complex,  
Goindwal Sahib, Dist. Tarn Taran,  
Punjab-143422 (INDIA)

1. Since ITC can be availed only when BHEL is in possession of GST Tax invoice and after receipt of goods. Thus, vendor to ensure timely dispatch of goods and Tax invoice. It may be noted that in case of any delay in receipt of Tax Invoice and/or receipt of goods, the ITC availment by BHEL will get delayed thus entailing additional cash outflow & may even get denied if ITC availment timelines are breached.
2. Further ITC can be availed only when vendor has declared such invoice in his outward supply Return GSTR-1 and after GST thereon has been paid by him at the time of filing of monthly Return.
3. If GST credit is delayed/denied to BHEL due to non/delayed receipt of goods and/or tax invoice or expiry of timeline prescribed in GST law for availing such ITC, or any other reasons not attributable to BHEL, GST amount shall be recoverable from vendor along with interest levied/leviable on BHEL.
4. Further, in case vendor delays declaring such invoice in his return and GST credit availed by BHEL is denied or reversed subsequently as per GST law, GST amount paid by BHEL towards such ITC reversal as per GST law shall be recoverable from vendor/contractor along with interest levied/leviable on BHEL.

### 13. LIABILITY UNDER REVERSE CHARGE (RCM)

Any GST liability arising on BHEL under Reverse Charge (RCM) before actual receipt of goods and/or Invoice thereof would be subject to recovery of Interest leviable for the period between the date of such liability and actual date of eligibility of ITC based on receipt of goods, receipt of Invoices and other conditions specified in GST Law as applicable.

### 14. ACCESS TO MANUFACTURING PREMISES

While Purchase Orders placed on the vendor are under execution, authorized representatives of BHEL shall be allowed free access to the manufacturing facilities for the purpose of inspection or monitoring the progress of purchase orders. This access will also be extended to representatives of BHEL's customers accompanying the authorized representative/s of BHEL (which shall be intimated in advance), if our contractual requirements with our customers call for the same.

### 15. INSPECTION

1. The seller shall give adequate notice, of 1 week or as mutually agreed period, in writing to the Purchaser about the date and place at which the goods will be ready for inspection/ testing, as provided for in the contract.
2. Purchaser or his authorized representative shall be entitled to carry out inspection of material and workmanship/Surveillance Audit at Seller's premises or at his sub-contractor's premises at all reasonable times during execution of contract; Such inspection, examination and testing, if made, shall not absolve the Seller from his obligations under the contract. No additional charges shall be claimed for such inspections. Moreover, all required infrastructure (testing, tools etc) have to be arranged by supplier.
3. Any inspection carried out before supply by vendor/incoming stage at BHEL notwithstanding, if any defect/non-conformity is noted during processing, the same shall be attended/replaced by vendor at no extra cost.
4. BHEL representative from unit or CQ is authorized to carry out audits along with TPIA at vendor's works before clearing the items for dispatch.





## General Contract Conditions (GCC) of MM Tenders

### BHARAT HEAVY ELECTRICALS LIMITED

Industrial Valve Plant: 433, Industrial Complex,  
Goindwal Sahib, Dist. Tarn Taran,  
Punjab-143422 (INDIA)

5. Necessary tooling including thread gauges etc. have to be arranged by vendor. Only in exceptional cases, based on BHEL discretions item/nature, BHEL may consider request to provide gauges if available with BHEL. But in no case this shall be linked with delivery of material.

#### **16. GUARANTEE / WARRANTEE AND CORRESPONDING REPAIR / REPLACEMENT OF GOODS**

Goods shall comply with the specifications for material, workmanship and performance. Unless otherwise specified, vendor shall give a guarantee / warrantee for a period of 18 months from the date of receipt. In case of non-acceptance of this term, bid shall be liable for rejection.

If the delivery is found non-compliant during the warranty period, leading to rejection, the Seller shall arrange free replacement / repair of goods, within one month from the date of intimation or any mutually agreed period. Corresponding quantity shall be treated as unsupplied against respective purchase order till replacement is received at BHEL.. In the event of the Seller's failure to comply, Purchaser may take action as appropriate, including repair / replenish rejected goods, at the risk & cost of the Seller.

Lifting of rejected material is under Supplier's scope. BHEL will inform related invoice, quantity etc. to supplier. Supplier has to give advance intimation / plan (Transporter, Vehicle details) for the lifting of material. Further supplier has to provide requisite documents (such as Credit Note, e-Way Bill etc.) to lift the rejected material. Material should be lifted within one month from date of intimation. After one-month, BHEL will not be responsible for rejected material and BHEL shall have the right to dispose off such rejected material.

#### **17. LOI (LETTER OF INTENT)**

BHEL may issue LOI prior to the PO for any reason whatsoever. The LOI in such cases is to be treated as PO for all practical purposes and all the Terms & Conditions of the tender shall be applicable from the date of issue of LOI.

#### **18. SUB-CONTRACT**

The purchase order or any part thereof shall not be sub-contracted, assigned or otherwise transferred without previously obtaining the BHEL's consent in writing.

#### **19. RISK PURCHASE**

Risk & Cost Clause, in line with Conditions of PO may be invoked in any of the following cases:

- i) Supplier's poor progress of the supply vis-à-vis delivery/execution timeline as stipulated in the Contract, backlog attributable to supplier including unexecuted portion of supply that does not appear to be executable within balance available period
- ii) Withdrawal from or abandonment of the supply by contractor before completion as per contract.
- iii) Non-supply by the Supplier within scheduled completion/delivery period as per Contract or as extended from time to time, for the reasons attributable to the supplier.





## General Contract Conditions (GCC) of MM Tenders

### BHARAT HEAVY ELECTRICALS LIMITED

Industrial Valve Plant: 433, Industrial Complex,  
Goindwal Sahib, Dist. Tarn Taran,  
Punjab-143422 (INDIA)

- iv) Termination of Contract on account of any other reason (s) attributable to Supplier.
- v) Assignment, transfer, subletting of Contract without BHEL's written permission resulting in termination of Contract or part thereof by BHEL.
- vi) Non-compliance to any contractual condition or any other default attributable to Supplier.

The value shall be calculated as follows:

$$\text{Risk \& Cost Amount} = [(A-B) + (A \times H/100)]$$

Where,

A= Value of Balance scope of Supply (\*) as per rates of new contract

B= Value of Balance scope of Supply (\*) as per rates of old contract being paid to the supplier at the time of termination of contract i.e. inclusive of PVC, if any.

H = Overhead Factor shall be taken as 5

In case (A-B) is less than 0 (zero), value of (A-B) shall be taken as 0 (zero).

**\* Balance Scope of Supply:** Difference of Contract Quantities and Executed Quantities as on the date of issue of Letter for 'Termination of Contract', shall be taken as balance scope of Supply for calculating risk & cost amount.

Contract quantities are the quantities as per original contract. If, Contract has been amended, quantities as per amended Contract shall be considered as Contract Quantities.

Recoveries from the supplier on whom Risk & Cost has been invoked shall be made from following:

- (i) Dues available in the form of Bills payable to supplier, SD, BGs against the same contract.
- (ii) Dues payable to supplier against other contracts in the same Unit of BHEL.
- (iii) Dues payable to supplier against other contracts in the different Regions / Units of BHEL.
- (iv) Legal options for recovery of dues payable by the supplier.

## 20. FORCE MAJEURE

If at any time during the continuance of the contract, the performance in which or in any part by either party of any obligations under the contract are prevented or delayed by reason of any war, hostilities, acts of public enemy, civil commotion, sabotage, fires, explosions, epidemics, quarantine restrictions, or acts of God (hereinafter referred to "an events" then provided the notice of happening of any such event is given by either party to the other within 21 days of the occurrence thereof, neither party shall by reason of such event be entitled to terminate the contract nor shall either party have any claim for damages against the other in respect of such non-performance and delay in performance and delivery under the contract shall be resumed as soon as practicable after such event has come to an end or ceased to exist. If the performance in whole or part of any obligation under the contract is prevented or delayed by reason of any such event, claims of extension of time shall be granted for periods considered reasonable by BHEL subject to prior notification by the vendor to BHEL of the particulars of the event and supply to BHEL, if required, of any supporting evidence. Any waiver of time in respect of partial installment shall not be deemed a waiver of time in respect of remaining deliveries.





## General Contract Conditions (GCC) of MM Tenders

### BHARAT HEAVY ELECTRICALS LIMITED

Industrial Valve Plant: 433, Industrial Complex,  
Goindwal Sahib, Dist. Tarn Taran,  
Punjab-143422 (INDIA)

## 21. NON-DISCLOSURE AGREEMENT

All Drawing and technical documents relating to the product or it's manufacture submitted by one party to the other, prior or subsequent to the formation of contract, shall remain property of the submitting party. Drawing, technical documents or other technical information received by one party, shall not without the consent of the other party, be used for any other purpose than that, for which they were provided. Such technical information shall not without the consent of the submitting party, otherwise be used or copied, reproduced, transmitted or communicated to a third party. Patterns supplied by BHEL will remain BHEL's property which shall be returned by the bidder on demand to BHEL. Bidder shall in no way share or use such intellectual property of BHEL to promote his own business with others. ***BHEL reserves the right to claim damages from the bidder, or take appropriate penal action as deemed fit against the bidder, for any infringement of the provisions contained herein.***

## 22. CLARIFICATIONS

The correspondence exchanged against the tender from both tenderer and BHEL through email/e-procurement are considered as valid document legally though it is not signed. It is treated as valid confirmations made on behalf of the respective company and very much comes under the legal ambit of the business transaction and hence it is binding on both the parties to the business. Any transaction pertaining to the tender from both the parties of business done round the clock irrespective of the office or business hours of the companies, are valid legally and binding on both the parties. This applies to the extent only in such cases where deadline time for transaction is not specifically declared by either or both the parties to the business.

## 23. PREFERENCES FOR MICRO AND SMALL ENTERPRISES (MSEs)

Preferences as mentioned in “Public Procurement Policy for Micro and Small Enterprises (MSEs) Order, 2012” & “Public Procurement Policy for Micro and Small Enterprises (MSEs) Amendment Order, 2018”, or as per latest guidelines issued by government shall be given to Micro and Small enterprises.

Main points which are mentioned in the above orders are as follows:

- 25% Procurement of the tender value shall be made from MSE (Micro, Small Enterprises) firms.
- 25% of the 25% quantity (i.e. 6.25% of the tender quantity) offered to the MSE's shall be reserved for MSE's owned by SC/STs. Failure to participate by any MSE owned by SC/ST's; this 6.25% quantity shall be procured from other MSEs.
- 3% from within the 25% quantity offered to the MSE's shall be reserved for women owned MSE's. Failure to participate by any MSE owned by women; this 3% quantity shall be procured from other MSEs.
- EMD shall be exempted for MSE's. All these benefits are subject to production of all statutory documents





## General Contract Conditions (GCC) of MM Tenders

### BHARAT HEAVY ELECTRICALS LIMITED

Industrial Valve Plant: 433, Industrial Complex,  
Goindwal Sahib, Dist. Tarn Taran,  
Punjab-143422 (INDIA)

- In tender, participating Micro and Small Enterprises quoting price within price band of L1+15 per cent shall also be allowed to supply a portion of requirement by bringing down their price to L1 price in a situation where L1 price is from someone other than a Micro and Small Enterprise and such Micro and Small Enterprise shall be allowed to supply up to 25 per cent of total tendered value. In case of more than one such Micro and Small Enterprise, the supply shall be shared proportionately (to tendered quantity).

MSE suppliers can avail the intended benefits only if they submit **Udyam Registration Certificate** along with the offer. No other document shall be considered for availing MSE benefits. Non-submission of such document will lead to consideration of their bid at par with other bidders. No benefit shall be applicable for this enquiry if any deficiency in the above required documents is not cleared before price bid opening. If the tender is to be submitted through e-procurement portal, then the above required document is to be uploaded on the portal.

*Note: It may however be noted that MSE guidelines as on date (Date of Technical Bid Opening Part-I) shall prevail.*

#### 24. PREFERENCE TO MAKE IN INDIA

This procurement shall be governed by notification no. P-45021/2/2017-PP (BE-II) dated 16.09.2020 of Government of India issued by DPIIT and subsequent circulars issued afterwards. Accordingly, the minimum local content, the margin of purchase preference and the procedure for purchase preference to make in India shall be adhered.

#### 25. RESTRICTIONS UNDER RULE 144(XI) OF THE GENERAL FINANCIAL RULES (GFRs), 2017

All provisions of Order No. F.No.6/18/2019-PPD of Department of Expenditure (DoE) shall be applicable for this tender enquiry (Order copy is available at <https://doe.gov.in/procurementpolicy-divisions>). Accordingly, any bidder from a country which shares a land border with India (except the countries to which the Govt. of India has extended lines of credit or in which the Govt. of India is engaged in development projects for which list is available at <https://www.mea.gov.in/>) will be eligible to bid in this tender only if the bidder is registered with the Competent Authority as specified in Annex I of the said Order of DoE.

Updated list of the countries to which lines of credit have been extended or in which development projects are undertaken are available on the Ministry of External affairs website (<https://www.mea.gov.in/>)

For the purpose of this order, definition of Bidder from a country which shares a land border with India shall be same as defined in the Annex III of the said order.

Registration with the competent authority as stipulated in the said order is responsibility of bidder. **Bidder has to submit a certificate certifying following along with offer:**

"I have read the clause regarding restrictions on procurement from a bidder of a country which shares a land border with India; I certify that this bidder is not from such a country or, if from such a country,





## General Contract Conditions (GCC) of MM Tenders

### BHARAT HEAVY ELECTRICALS LIMITED

Industrial Valve Plant: 433, Industrial Complex,  
Goindwal Sahib, Dist. Tarn Taran,  
Punjab-143422 (INDIA)

has been registered with the Competent Authority. I hereby certify that this bidder fulfils all requirements in this regard and is eligible to be considered. [*Where applicable, evidence of valid registration by the Competent Authority shall be Attached*].”

#### 26. DISPUTES

In the event of any dispute and/or difference arising between the Vendor and BHEL as to interpretation and/or execution of the contract and/or the respective rights and liabilities of the parties, such disputes and/or differences shall be referred to the sole arbitrator nominated by BHEL. The provisions of the Indian Arbitration Act and the rules there under shall apply to such arbitration. The award passed by the arbitrator shall be final and conclusively binding on all the parties.

#### 27. JURISDICTION

The court of the place from where the purchase order is issued shall alone have jurisdiction to decide any dispute arising out of or in connection with the purchase order.

#### 28. BANNED FIRMS

The offers of the bidders who are on the banned list as also the offer of the bidders, who engage in the services of the banned firms, shall be rejected. The list of banned firms is available on BHEL website <https://www.bhel.com/>.

#### 29. FRAUD PREVENTION POLICY

The Bidder along with its associate / collaborators / sub-contractors / sub-vendors / consultants / service providers shall strictly adhere to BHEL Fraud Prevention Policy displayed on BHEL website <https://www.bhel.com/> and shall immediately bring to the notice of BHEL management about any fraud or suspected fraud as soon as it comes to their notice.

#### 30. PREVENTIVE CHECKS TO ELIMINATE SUSPECTED CARTEL FORMATION

The Bidder declares that they will not enter into any illegal or undisclosed agreement or understanding, whether formal or informal with other Bidder(s). This applies in particular to prices, specifications, certifications, subsidiary contracts, submission or non-submission of bids or any other actions to restrict competitiveness or to introduce cartelization in the bidding process. In case, the Bidder is found having indulged in above activities, suitable action shall be taken by BHEL as per extant policies/ guidelines.

#### 31. SUSPENSION OF BUSINESS DEALINGS WITH DEFAULTERS

The offers of the bidders who are under suspension as also the offers of the bidders, who engage the services of the banned firms, shall be rejected. The list of banned firms is available on BHEL web site <https://www.bhel.com/>.

1.0 Integrity commitment, performance of the contract and punitive action thereof:

1.1. Commitment by BHEL:





## General Contract Conditions (GCC) of MM Tenders

### BHARAT HEAVY ELECTRICALS LIMITED

Industrial Valve Plant: 433, Industrial Complex,  
Goindwal Sahib, Dist. Tarn Taran,  
Punjab-143422 (INDIA)

BHEL commits to take all measures necessary to prevent corruption in connection with the tender process and execution of the contract. BHEL will during the tender process treat all Bidder(s) in a transparent and fair manner, and with equity.

#### 1.2. Commitment by Bidder/ Supplier/ Contractor:

1.2.1. The bidder/ supplier/ contractor commits to take all measures to prevent corruption and will not directly or indirectly influence any decision or benefit which he is not legally entitled to nor will act or omit in any manner which tantamount to an offence punishable under any provision of the Indian Penal Code, 1860 or any other law in force in India.

1.2.2. The bidder/ supplier/ contractor will, when presenting his bid, disclose any and all payments he has made, and is committed to or intends to make to agents, brokers or any other intermediaries in connection with the award of the contract and shall adhere to relevant guidelines issued from time to time by Govt. of India/ BHEL.

1.2.3. The bidder/ supplier/ contractor will perform/ execute the contract as per the contract terms & conditions and will not default without any reasonable cause, which causes loss of business/ money/ reputation, to BHEL.

If any bidder/ supplier/ contractor during pre-tendering/ tendering/ post tendering/ award/ execution/ post-execution stage indulges in mal-practices, cheating, bribery, fraud or and other misconduct or formation of cartel so as to influence the bidding process or influence the price or acts or omits in any manner which tantamount to an offence punishable under any provision of the Indian Penal Code, 1860 or any other law in force in India, then, action may be taken against such bidder/ supplier/ contractor as per extant guidelines of the company available on <https://www.bhel.com/> and/or under applicable legal provisions

## 32. GENERAL

1. BHEL will not be bound by any power of attorney granted by the vendors or by changes in the composition of the firm made subsequent to the execution of the contract. They may, however, recognize such power of attorney and changes after obtaining proper legal advice, the cost of which will be chargeable to the vendor concerned.
2. BHEL reserves the right to extend the due date of opening, which shall be informed. Validity of offer shall be deemed to be revised accordingly.
3. BHEL reserves the right to accept or reject any part or whole of the tender of a bidder by assigning a valid reason thereof. BHEL reserves the right to cancel the tender without assigning any reason thereof and without any obligation before any commitment.
4. Acceptance of all terms and conditions, in the form of signed copy of T&C or confirmation separately written, shall be submitted along with quotation. If nothing is mentioned, it shall be concluded that terms and conditions are acceptable.
5. BHEL may increase/decrease item/s based on BHEL requirement before price bid opening. Suitable price implication may be asked from suppliers.
6. BHEL may drop item/items from tender at any stage of tender before placing PO. BHEL may also delete PO with consent with supplier within delivery date of PO.





## General Contract Conditions (GCC) of MM Tenders

### BHARAT HEAVY ELECTRICALS LIMITED

Industrial Valve Plant: 433, Industrial Complex,  
Goindwal Sahib, Dist. Tarn Taran,  
Punjab-143422 (INDIA)

7. After releasing PO, it is assumed that supplier has accepted PO if we do not receive acknowledgement from supplier within 5 days of date of PO.
8. In case of unscheduled holiday on opening day of tender, the next working day will be treated as scheduled prescribed day of opening of tender.
9. On the due date of tender opening, only technical bids will be opened. The opened technical bids will be evaluated by us and clarifications required, if any, will be called for from the bidders on technical and commercial points. If no reply is received from the vendor for the clarification raised by BHEL with in the final cut-off date, those vendors offer will be processed with the documents available / submitted against this tender. Offers not meeting the required specification and technical condition will be summarily rejected. The price bids of technically suitable bidders will be opened on a later date with prior intimation to techno-commercially suitable bidders.
10. Ranking L-1, L-2 etc. shall be done for individual item for the techno-commercially acceptable offers on landed cost to BHEL, IVP Goindwal basis and BHEL reserves the right to place order for individual items with different vendors.
11. BHEL reserves the right to negotiate with L1 vendor or re-float the tender for items where, L1 price is not the lowest acceptable price; BHEL reserves the right to increase or decrease the tender quantity.
12. If supplier is mentioning delivery destination within state/ outside state depending upon his location of factory, Free on Road etc. these are assumed as on FOR Goindwal. If supplier is wishing to give delivery on Ex works basis, then he has to clearly mention about it.
13. The bidder has to keep track of any changes by viewing the addendum(s) / Corrigendum(s) issued by the Purchaser on time-to- time basis in the E-Procurement platform. The Company calling for tenders shall not be responsible for any claims/problems arising out of this.
14. Unregistered suppliers, who are techno-commercially qualified against the open tender, are requested to register with BHEL as permanent supplier by submitting the Supplier Registration Form (SRF). SRF is available at <https://www.bhel.com/supplier-registration>.
15. Any term in special tender terms and conditions will supersede the GCC.



## **ANNEXURE - A**

### **RESTRICTIONS UNDER RULE 144(XI) OF THE GENERAL FINANCIAL RULES (GFRs), 2017**

**(The bidders are required to print this on their company's letterhead & sign, stamp and submit with offer documents)**

I have read the clause regarding restrictions on procurement from a bidder of a country which shares a land border with India; I certify that bidder (... Name of Bidder) is not from such a country or, if from such a country, has been registered with the Competent Authority. I hereby certify that bidder (.....Name of bidder) fulfils all requirements in this regard and is eligible to be considered.

If the bidder is from such country which shares a land border with India evidence of valid registration by the Competent Authority shall also be attached along with offer.”

With regards

Signature with company seal

Name –

Company / Organization

Designation within Company / Organization

Address of Company / Organization

# ON COMPANY (OEM) LETTER HEAD

## ANNEXURE - B

### Make in India (MII) and Local Content Declaration

To whom it may concern

In line with Government Public Procurement Order No. P-45021/2/2017-BE-II dt. 15.06.2017, as amended from time to time and as applicable on the date of submission of tender, we hereby certify that we M/s. \_\_\_\_\_ (supplier name) are (tick whichever is applicable as below)

“**Class-I local supplier**” meeting the requirement of minimum local content equal to 50% or more defined in above mentioned government notification for the goods & services

(or)

“**Class-II local supplier**” meeting the requirement of minimum local content 20 % to less than 50% defined in above mentioned government notification for the goods & services

(or)

**Non-local supplier** (if not belonging to Class-I & Class-II)

against Tender Enquiry No. \_\_\_\_\_

Product:

Details of location at which local value addition will be made is as follows:

---

---

---

We also understand, false declarations will be in breach of the Code of Integrity under Rule 175(1)(i)(h) of the General Financial Rule for which for which a bidder or its successors can be debarred for up two years as per Rule 151 (iii) of the General Financial Rules along with such other actions as may be permissible under law.

Authorized Signatory

Place:

Date:

**PART-I (TECHNO-COMMERCIAL BID)**

(To be filled by bidder &amp; submit with offer as pdf file only)

**Tender Enquiry No. & Date****2223-072E dated 06.01.2023****Tender Description****Supply of Fasteners GVFST**

Bidder must note following points:

1. This workbook is protected, except for cells where comments / confirmation is to be given by bidder.
2. Bidder is advised not to unprotect / tamper the sheet / alter the terms mentioned in the sheet.
3. Any alteration to terms mentioned by BHEL will be considered as tampering and bidder's offer shall be liable for rejection.
4. Bidders are advised to only fill the unprotected cells (shaded cells) by dropdown or writing the comments as applicable as their confirmation. Bidders are advised to submit duly filled & signed 'PDF' file as techno-commercial (Part-I) bid'. Failure on the part of bidder in not returning this duly filled-up techno-commercial bid and / or submitting incomplete replies may lead to rejection of bidder's quotation.
5. All the commercial terms and conditions shall be indicated by vendor in this format only and nowhere else in his quotation. However, in case the space for vendor's reply is not sufficient against a particular question, the vendor shall furnish same by way of separate annexure / sheet attached to this questionnaire, indicating cross-reference of respective clauses.

**BIDDER'S DETAILS**

Sr. No.	Elements	Remarks
1	Bidder's Name	
2	Quotation reference no. & date	
3	Contact Person's Name (s):	
4	Email ID (s)	
5	Mobile No. (s)	
6	Tel. No. (s)	
7	Fax No.	
8	Office Address	
9	Works Address	
10	GST No.	
11	PAN No.	

**TECHNICAL CONDITION DETAIL**

Sr. No.	Elements	Response	Remarks
1	Technical : Supply of Fasteners GVFST as per tender documents (if selected 'Accepted with deviation', please mention the deviation clearly)		

**COMMERCIAL CONDITIONS & DETAILS**

Sr. No.	Elements	Response	Remarks (if any)
1	Delivery term: FOR BHEL Goindwal Sahib Basis (refer tender terms & conditions)	Select from the drop down list	
2	IGST supply (%)	Select from drop down list	
3	SGST supply (%)	Select from drop down list	
4	CGST supply (%)	Select from drop down list	
5	Payment term: As per Clause S7 of the Special Terms and conditions.	Select from the drop down list	
6	Delivery period: Within 90 days from placement of PO / LOI. (refer tender terms & conditions)	Select from the drop down list	
7	Validity: 70 days from techno commercial bid opening. (refer tender terms & conditions)	Select from the drop down list	
8	LD clause: Penalty for late delivery will be applicable @ 0.5% per week or part thereof subject to a maximum of 10.0 %. (refer tender terms & conditions)	Select from the drop down list	
9	Risk purchase: If the supplier fails to deliver the goods within the delivery specified in the Purchase Order, BHEL will be entitled to terminate the contract and to Purchase elsewhere at the risk and cost of the seller either the whole of the goods or any part which the supplier has failed to deliver or despatch within the delivery period mentioned in the Purchase Order. (Refer clause no. 19 of GCC in Tender Terms & Conditions)	Select from the drop down list	
10	Firm Price: The quoted / finalised rates shall be firm till execution of the supplies.	Select from the drop down list	
11	<b>Guarantee / Warranty Period:</b> Supplier shall give a warrantee for a period of 18 months from the date of receipt. In case of non-acceptance of this term bid will be rejected. (Refer clause no. 16 of GCC)	Select from the drop down list	
12	Please attach valid MSE certificate latest MSME Guidelines	Select from drop down list	
13	Please attach Declaration for proof as a manufacturer (Refer clause no. S1 of special terms)	Select from drop down list	

14	Compliance to RESTRICTIONS UNDER RULE 144(XI) OF THE GENERAL FINANCIAL RULES (GFRs), 2017. Bidder has to attach the undertaking along with offer as per <b>Annexure-A</b> (refer tender terms & conditions)	Select from drop down list	
15	Compliance to Make in India & Local Content Declaration. Bidder has to attach the undertaking along with offer as per <b>Annexure-B</b> (refer tender terms & conditions)	Select from drop down list	
16	I have thoroughly gone through the attached tender terms & conditions and understood the above techno-commercial requirements	Select from the drop down list	

**Item detail**

Item Sl. no.	Material Code	Description	Quantity, nos.	Please select (Quoted / not quoted)
10	411171612000	FT STUD-M16x120 -B7	3,000	
20	413190001600	NUT -M16 -2H	6,000	
30	411172415000	FT STUD-M24x150 -B7	1,000	
40	413190002400	Hex Nut Gr B M24 T425 BPS 41319	2,000	
50	964562680000	FT STUD-1/2"x80 -B7-N081	2,000	
60	964562790000	NUT -1/2" -2H-N073	4,000	
70	964562740000	FT STUD-3/4"x120 -B7-N041	2,000	
80	964562810000	NUT -3/4" -2H-N057	4,000	
90	964562750000	FT STUD-3/4"x133 -B7-N089	1,000	
100	Same as Sr No 80	NUT -3/4" -2H-N057	2,000	
110	964564560000	FT STUD-7/8"x150 -B7-N212	1,000	
120	964564310000	NUT -7/8" -2H-N206	2000	
130	964656360000	FT STUD-5/8"-11UNC-2A-86-B8M	2,000	
140	964656490000	HEX NUT-5/8"-11UNC-2B-GR.8M	4,000	
150	964656370000	FT STUD-5/8"-11UNC-2A-105-B8M	2,000	
160	Same as Sr No 140	HEX NUT-5/8"-11UNC-2B-GR.8M	4,000	
170	964658930000	FT STUD-M24x3x150 -B8M	3,000	
180	964658960000	NUT -M24x3 - 8M	6,000	
190	931055020000	INDICATOR STUD M20X140 -K591	50	
200	413190002000	NUT -M20 -2H	100	
210	931191430000	INDICATOR STUD-W084	50	
220	Same as Sr No 20	NUT -M16 -2H	100	
230	411011296000	DE STUD-M12x60 -6.6-IS1862-A-TL72-CAD	1,000	

We further, confirm that we have quoted the rates in the tender considering Inter-alia the

1. Tender Document(s)
2. Additional Document(s) (if any)
3. BOQ Document (Price Bid Format-Part-II)
4. Corrigendum (if any)
5. Pre Bid Meeting Minutes (if any)

We hereby certify that we have fully read and thoroughly understood the tender requirements and accept all terms and conditions of the tender including all corrigendum/addendum issued (if any). Our offer is in confirmation to all the terms and conditions of the tender including all corrigendum/addendum (if any) and minutes of the pre-bid meeting (if any). In the event our offer is found acceptable and Order is placed /Contract is awarded to us, the complete tender document shall be considered for constitution of Order / Contract Agreement.

Validate

Print

Help

**Item Wise BoQ**

Tender Inviting Authority: BHEL Goindwal Sahib (Punjab)

Name of Work: Supply of Fasteners GVFST

Contract No: 2223-072E dated 06.01.2023

Name of the Bidder/ Bidding Firm / Company :	
--	--

**PRICE SCHEDULE**

(This BOQ template must not be modified/replaced by the bidder and the same should be uploaded after filling the relevant columns, else the bidder is liable to be rejected for this tender. Bidders are allowed to enter the Bidder Name and Values only )

NUMBER #	TEXT #	TEXT #	NUMBER #	TEXT #	NUMBER #	NUMBER #	TEXT #
Sl. No.	Item Description	Item Code / Make	Quantity	Units	BASIC RATE In Figures To be entered by the Bidder Rs. P	TOTAL AMOUNT Without Taxes	TOTAL AMOUNT In Words
1	2	3	4	5	13	53	55
10	FT STUD-M16x120 -B7	411171612000	3000.0000	Nos		0.0000	INR Zero Only
20	NUT -M16 -2H	413190001600	6000.0000	Nos		0.0000	INR Zero Only
30	FT STUD-M24x150 -B7	411172415000	1000.0000	Nos		0.0000	INR Zero Only
40	Hex Nut Gr B M24 T425 BPS 41319	413190002400	2000.0000	Nos		0.0000	INR Zero Only
50	FT STUD-1/2"x80 -B7-N081	964562680000	2000.0000	Nos		0.0000	INR Zero Only
60	NUT -1/2" -2H-N073	964562790000	4000.0000	Nos		0.0000	INR Zero Only
70	FT STUD-3/4"x120 -B7-N041	964562740000	2000.0000	Nos		0.0000	INR Zero Only
80	NUT -3/4" -2H-N057	964562810000	4000.0000	Nos		0.0000	INR Zero Only
90	FT STUD-3/4"x133 -B7-N089	964562750000	1000.0000	Nos		0.0000	INR Zero Only
100	NUT -3/4" -2H-N057	Same as Sr no 80	2000.0000	Nos		0.0000	INR Zero Only
110	FT STUD-7/8"x150 -B7-N212	964564560000	1000.0000	Nos		0.0000	INR Zero Only
120	NUT -7/8" -2H-N206	964564310000	2000.0000	Nos		0.0000	INR Zero Only
130	FT STUD-5/8"-11UNC-2A-86-B8M	964656360000	2000.0000	Nos		0.0000	INR Zero Only
140	HEX NUT-5/8"-11UNC-2B-GR.8M	964656490000	4000.0000	Nos		0.0000	INR Zero Only
150	FT STUD-5/8"-11UNC-2A-105-B8M	964656370000	2000.0000	Nos		0.0000	INR Zero Only
160	HEX NUT-5/8"-11UNC-2B-GR.8M	Same as Sr no 140	4000.0000	Nos		0.0000	INR Zero Only
170	FT STUD-M24x3x150 -B8M	964658930000	3000.0000	Nos		0.0000	INR Zero Only
180	NUT -M24x3 - 8M	964658960000	6000.0000	Nos		0.0000	INR Zero Only
190	INDICATOR STUD M20X140 -K591	931055020000	50.0000	Nos		0.0000	INR Zero Only
200	NUT -M20 -2H	413190002000	100.0000	Nos		0.0000	INR Zero Only
210	INDICATOR STUD-W084	931191430000	50.0000	Nos		0.0000	INR Zero Only
220	NUT -M16 -2H	Same as Sr No 20	100.0000	Nos		0.0000	INR Zero Only
230	DE STUD-M12x60 -6.6-IS1862-A-TL72-CAD	411011296000	1000.0000	Nos		0.0000	INR Zero Only
<b>Total in Figures</b>						<b>0.0000</b>	INR Zero Only
<b>Quoted Rate in Words</b>							



# PLANT STANDARD

HPBP TIRUCHIRAPPALLI

BPS 41117

Rev. No. 02

PAGE 1 OF 2

## STUD BOLTS FOR TEMPERATURE USE

(For medium of Temperature upto 425°C)

### 1.0 SCOPE

Covers the requirements for Stud Bolts for use in medium of temperature 425°C in the size range M12 to M39x3.

### 2.0 SPECIFICATION AND REFERENCE STANDARDS

Dimensions and preferred sizes	Fig 1 & Table 1 of this standard	
Preferred length size combination	Table 1 of this standard	
Tolerance	Product grade	A
	Indian Standard	IS: 1367 (Part 2)
Thread	Pitch	Table 1 of this standard
	Tolerance	6g
	Indian Standard	IS 4218 (Part 3, 5 & 6)
Material	Steel according to ASTM A193 - B7 Certified in quenched and tempered condition	
Manufacture	Thread rolling up to M24	
Mechanical Properties	As specified in ASTM A193-B7	
Marking	All studs shall be stamped B7 on any one side	
General requirements	Studs shall comply with TDC:5:164 in respect of requirements not covered in this standard except for cadmium plating.	

### 2.1 Referred standards (Only current versions are applicable)

IS 1367 Part 2	Technical supply conditions for threaded steel fasteners
IS 1368	Dimensions for ends of parts with external ISO metric threads
IS 4218 Part 3,5 & 6	ISO metric screw threads
ASTM A193	Specification for alloy steel and stainless steel bolting material for high temperature service
TDC:5:164	TDC for alloy steel studs to specification ASTM SA193 Gr B7 / B7m / B16 oil field equipment

### 3.0 DESIGNATION

A Grade 'A' Stud to this standard of thread size M16 and nominal length 90mm shall be designated as:

### 3.1 On Drawings

i) Material Specification column	A193 - B7
ii) Description Column	STUD BOLT GR A T425 M16x90
iii) Drawing Number Column	BPS 41117
iv) Material Code column:	4111716090

Revisions

Brought upto date \*

Approved

STANDARDS SECTION  
CONTRACT ENGINEERING AND CO-ORDINATION  
HPBP, TIRUCHIRAPPALLI

Rev. No. 02

Amd. No.

Reaffirmed

Prepared

Issued

Dt of 1st Issue

Dt. JUN. 1997

Dt.

Year

STANDARDS

STANDARDS

DEC 1986

### 3.2 Ordering Description

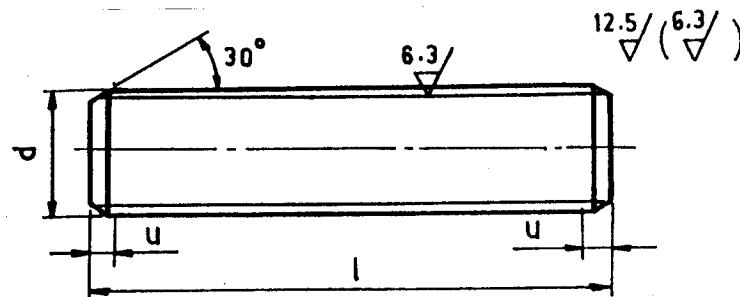
For placing indents, issuing enquiries and on purchase order, Ordering Description given below shall be followed.

Stud M16x90 - BPS: 41117 A - ASTM A193-B7

### 4.0 ADDITIONAL INFORMATION

4.1 Copies of this standard and TDC:5:164 shall be enclosed along with the purchase order

**FIG. 1, DIMENSIONS FOR STUD BOLTS**  
(All dimensions are in millimetres)



'u' according to IS:1368

**TABLE 1 PREFERRED LENGTH - SIZE COMBINATION FOR STUD BOLTS**  
(All dimensions are in millimetres)

Thread Size d	Nominal Length (l)																	
	60	70	80	90	100	110	120	130	140	150	160	170	180	200	225	240	250	280
	Weights																	
M12		62	70.9															
M16				135.9	151.7		183.3											357.1
M20				221.9			280.9		303									
M24							390.4			496.9			603.4					
(M27)									591.4				770.8					
M30									722.9		832.4							
(M33)													1208.6					
(M39x3)														1875.7				

**Note:**

1. Preferred lengths are in between the stepped bold lines
2. Weights are given in Kg per 1000 numbers only
3. Sizes in brackets are non-preferred



# PLANT STANDARD

HPBP TIRUCHIRAPPALLI

BPS 41319

Rev. No. 03

PAGE 1 OF 2

## NUTS FOR TEMPERATURE USE

(For medium of temperature upto 425 ° C)

### 1.0 SCOPE

Covers the requirements of hexagon nuts for use in medium of temperature upto 425 ° C and in the size range M8 to M45x3.

### 2.0 SPECIFICATION AND REFERENCE STANDARDS

Dimensions and preferred sizes	Fig 1 & Table 1 of this standard	
Tolerance	Product grade	A for nuts with $d \leq M16$ B for nuts with $d > M16$
	Indian Standard	IS 1367 (Part 2)
Thread	Pitch	Table 1 of this standards
	Tolerance	6H
	Indian Standard	IS 4218 (Part 3, 5 & 6)
Material	Steel to ASTM A 194 2H Certified	
Testing	The finished nut shall satisfy the requirements of hardness, proof load and cone proof load, tests as specified in ASTM A194	
General requirements	Nuts shall comply with TDC:5:166 in respect of requirements not covered in this standard, except for cadmium plating	

### 2.1 Referred standards (Only the relevant parts of current versions are applicable)

IS 1367 (Part 2)	Technical supply conditions for threaded steel fasteners
IS 4218 (Part,3,5 & 6)	ISO metric screw threads
TDC:5:166	Carbon steel nuts for OFE & other applications as per A 194 GR 2H/2HM
ASTM A194	Specification for carbon and alloy steel nuts for bolts for high pressure and high temperature service.

### 3.0 DESIGNATION

A Grade 'A' hexagon nut to this standard of thread size M8 shall be designated as :

### 3.1 On Drawings

i) Material Specification column	ASTM A 194 - 2H
ii) Description Column	NUT HEX GR A T425 M8
iii) Drawing Number Column	BPS 41319
iv) Material Code column:	4131900008

Revisions

Brought upto date

Approved

STANDARDS SECTION  
CONTRACT ENGINEERING AND CO-ORDINATION  
HPBP, TIRUCHIRAPPALLI

Rev. No. 03

Amd. No.

Reaffirmed

Prepared

Issued

Dt of 1st Issue

Dt. JUN 1997

Dt.

Year

STANDARDS

STANDARDS

DEC 1986

### 3.2 Ordering Description

For placing indents, issuing enquiries and on purchase order, Ordering Description given below shall be followed. (Typical examples)

Hex Nut M8 to BPS : 41319-A-ASTM A194-2H for nuts with  $d \leq M16$

Hex Nut M20 to BPS : 41319-B-ASTM A194-2H for nuts with  $d > M16$  and  $d < M36 \times 3$

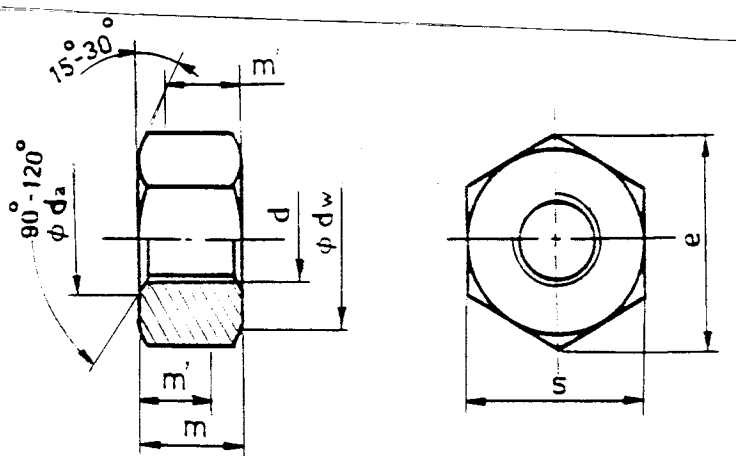
Hex Nut M36x3 to BPS: 41319-B-ASTM A194-2H for nuts with  $d \geq M36 \times 3$

### 4.0 ADDITIONAL INFORMATION

4.1 Copies of this standard and TDC:5:166 shall be enclosed along with the purchase order.

**Figure 1 DIMENSIONS FOR HEXAGON NUTS**

(All dimensions are in millimetres)



'm' = Effective gauging height

**TABLE 1**

(All dimensions are in millimetres)

Thread Size d	d <sub>a</sub>		d <sub>w</sub>	e		m		m'	s		Weight
	Min	Max		Min	Max	Min	Max		Min	Max	
M8	8	8.75	11.6		14.38	8	7.64	6.1	13	12.73	6.0
M10	10	10.80	14.6		17.77	10	9.64	7.7	16	15.73	10.8
M12	12	13.00	16.6		20.03	12	11.57	9.3	18	17.73	16.5
M16	16	17.30	22.5		26.75	17.1	16.40	13.1	24	23.67	33.0
M20	20	21.60	27.7		32.95	20.7	19.40	15.5	30	29.16	64.5
M24	24	25.90	33.2		39.55	24.2	22.90	18.3	36	35.00	110.0
(M27)					45.20	27.6	26.30	21.0	41	40.00	166.0
M30	30	32.40	42.7		50.85	30.7	29.10	23.3	46	45.00	231.0
(M33)					55.37	33	31.40	25.1	50	49.00	299.0
M36x3	36	38.90	51.1		60.79	36.6	35.00	28.6	55	53.80	364.0
(M39x3)					66.44	39	37.40	29.9	60	58.80	485.0
(M45x3)				80.8		45	43.40	34.7	70	68.80	750.0

**NOTE :**

1. Sizes in brackets are non-preferred.
2. Weights are given in Kg per 1000 numbers only.

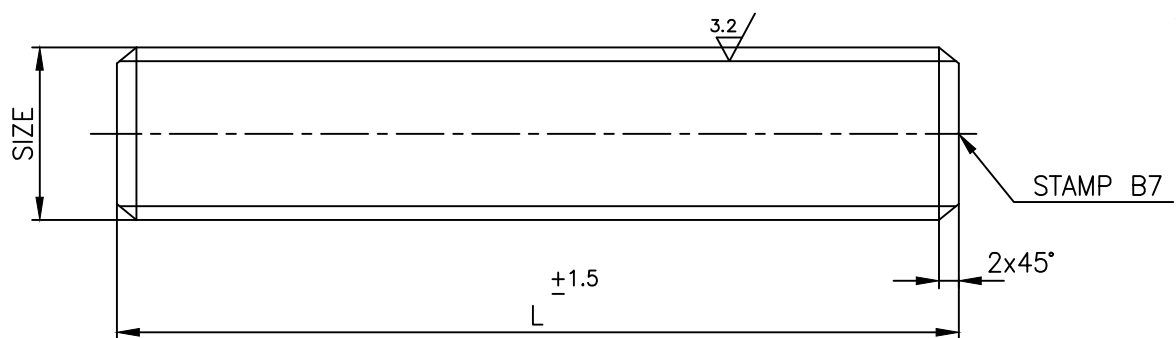
3-V-0000-06875  
DRAWING NO.

SL.No	DRAWING No.	MATERIAL	MATL. CODE	SIZE	L	WEIGHT IN Kgs.	SIZE/RATING
01	3-V-N073-06875/02	ASTM A193 B7, HT, CERTIFY	964562670000	1/2"-13UNC-2A	68	0.07	2"-150
02	3-V-N081-06875/02		964562680000	1/2"-13UNC-2A	80	0.08	2"-300
03	3-V-N025-06875/02		964562690000	5/8"-11UNC-2A	86	0.13	3"-150
04	3-V-N001-06875/02		964562700000	5/8"-11UNC-2A	94	0.15	4"-150 6"-150
05	3-V-N009-06875/02		964562710000	5/8"-11UNC-2A	105	0.16	8"-150 3",4"-300
06	3-V-N017-06875/02		964562720000	5/8"-11UNC-2A	118	0.18	6"-300
07	3-V-N057-06875/02		964562730000	3/4"-10UNC-2A	112	0.25	10"-150
08	3-V-N041-06875/02		964562740000	3/4"-10UNC-2A	120	0.27	12"-150
09	3-V-N089-06875/02		964562750000	3/4"-10UNC-2A	133	0.30	8"-300
10	3-V-N065-06875/02		964562760000	1"-8UNC-2A	158	0.63	10"-300
11	3-V-N105-06875/02		964562770000	1.1/8"-8UN-2A	180	0.91	12"-300
12	3-V-N106-06875/02		964562780000	1.1/8"-8UN-2A	140	0.71	12"-300
13	3-V-N224-06875/02		964562290000	1"-8UNC-2A	170	0.71	20"-150
14	3-V-1387-06875/02		964564270000	1"-8UNC-2A	135	0.54	16"-150
15	3-V-N204-06875/02		964564280000	3/4"-10UNC-2A	105	0.25	6"-150

SL.No	DRAWING No.	MATERIAL	MATL. CODE	SIZE	L	WEIGHT IN Kgs.	SIZE/RATING
16	3-V-N206-06875/02	ASTM A193 B7, HT, CERTIFY	964564290000	7/8"-9UNC-2A	115	0.35	10"-150
17	3-V-N207-06875/02		964564300000	7/8"-9UNC-2A	125	0.38	12"-150
18	3-V-N212-06875/02		964564560000	7/8"-9UNC-2A	150	0.45	8"-300
19	3-V-F505-06875/01		964566800000	1.1/4"-8UN-2A	215	1.34	8"-600
20	3-V-F506-06875/01		964566810000	1.1/8"-8UN-2A	220	1.41	10"-600
21	3-V-F507-06875/02		964566820000	1.1/4"-8UN-2A	250	1.74	12"-600
22	3-V-N361-06875/01		964567040000	1.1/4"-8UN-2A	150	0.94	24"-150& 16"-300
23	3-V-N437-06875/01		964567430000	1.3/8"-8UN-2A	190	1.44	20"-300
24	3-V-N847-06875		964536630000	1.1/4"-8UN-2A	195	1.23	28"-150
25	3-V-N848-06875		964536640000	1.3/8"-8UN-2A	210	1.58	30"-150
26	3-V-N827-06875		964536650000	1.1/2"-8UN-2A	220	1.96	32"-150
27	3-V-N846-06875/01		964536660000	1.3/4"-8UN-2A	240	2.9	36"-150
28	3-V-NE97-06875		964653420000	1.1/2"-8UN-2A	260	2.32	26"-300
29	3-V-NK44-06875		964659010000	1.5/8"-8UN-2A	270	2.84	28"-300
30	3-V-NK45-06875		964659050000	2"-8UN-2A	275	4.38	28"-600
31	3-V-P788-06875		964659130000	1.3/8"-8UN-2A	235	1.59	14"-600

NOTE:-

FOR QUALITY REQUIREMENTS REFER LATEST APPLICABLE TDC:5:164



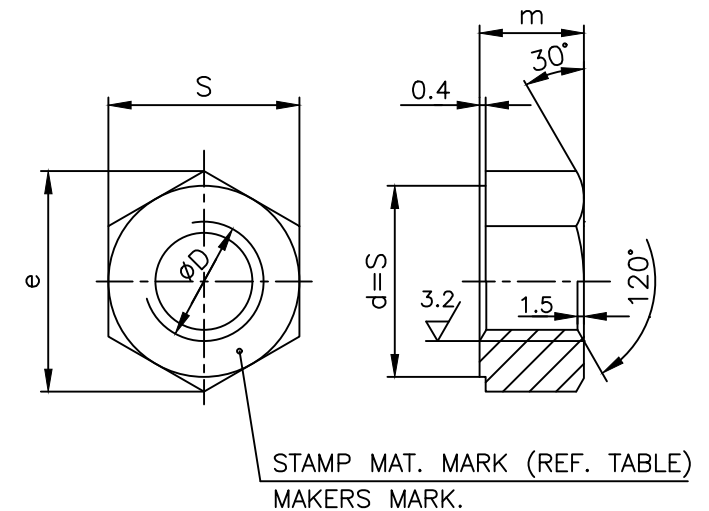
REV	DATE	ALTERED	R.P.SINGH	REV	DATE	ALTERED	R.P.SINGH
14	12.06.19	CHD & APPD	SSK & KRS	13	08.12.18	CHD & APPD	SSK & KRS
SL.No 31 INCLUDED.				SL.No 29 & 30 INCLUDED.			

CAUTION: The information on this document is the property of BHARAT HEAVY ELECTRICALS LTD. It must not be used directly or indirectly in any way detrimental to the interest of the company.

NO OFF	DESCRIPTION	MATL CODE	MATL SPECN	HEAT TREATMENT	SCRAP SORT	NET WT (kg)	GROSS WT (kg)	DRAWING No	ITEM No	
TYPE OF PRODUCT OR NAME OF CUSTOMER/PROJECT										
BHARAT HEAVY ELECTRICALS LTD., UNIT: HIGH PRESSURE BOILER PLANT. TIRUCHIRAPALLI-620014.						DRN	V.BAIRAVAN	SIGN	DATE	NO.OF VAR.
						CHD	S.SATHEESHKUMAR		31.12.09	
						APPD	K.RAJASEKARAN		31.12.09	
DEPT	VL	SCALE		WEIGHT (KG).		REFERENCE INFORMATION				
CODE	320	N T S				CAD .3-V-0000-06875-0-0				
TITLE						CARD CODE	DRAWING NO.		REV	
STUD						U 01	3-V-0000-06875		14	

9/890-0000-Λ-Σ  
DRAWING NO.

SL. No.	DRAWING No.	COMP. CODE	MATL. SPECN.	S		e		m		øD	MATL. MARK	NET WT. (Kg.)
				MAX.	MIN.	MAX.	MIN.	MAX.	MIN.			
01	3.V.N073.06876/03	96 456 279	ASTM A194 - 2H, CERTIFY	22.22	21.59	25.65	24.61	12.80	11.79	1/2"-13 UNC -2B	2H	0.02
02	3.V.N025.06876/03	96 456 280		26.97	26.19	31.17	29.85	16.03	14.91	5/8"-11 UNC -2B	2H	0.03
03	3.V.N057.06876/03	96 456 281		31.75	30.78	36.65	35.10	19.25	18.03	3/4"-10 UNC -2B	2H	0.08
04	3.V.N065.06876/03	96 456 282		41.28	40.01	47.65	45.62	25.70	24.28	1"-8 UNC -2B	2H	0.17
05	3.V.N105.06876/03	96 456 283		46.02	44.60	53.16	50.85	29.93	27.41	1.1/8"-8 UN -2B	2H	0.27
06	3.V.N206.06876/02	96 456 431		36.52	35.41	42.16	40.37	22.47	21.16	7/8"-9 UNC -2B	2H	0.11
07	3.V.N204.06876/02	96 456 453	SA 307 Gr.B CERTIFY	31.75	30.78	36.65	35.10	19.25	18.03	3/4"-10 UNC -2B	307 B	0.08
08	3.V.N207.06876/02	96 456 454		36.52	35.41	42.16	40.37	22.47	21.16	7/8"-9 UNC -2B	307 B	0.11
09	3.V.F505.06876/01	96 456 683	ASTM A194 - 2H, CERTIFY	50.8	49.23	58.65	56.11	31.78	30.15	1.1/4"-8 UN -2B	2H	0.22
10	3.V.N848.06876	96 453 667		55.57	53.8	64.16	61.37	35.0	33.27	1.3/8"-8 UN -2B	2H	0.42
11	3.V.N827.06876	96 453 668		60.33	58.42	69.65	66.59	38.23	36.40	1.1/2"-8 UN -2B	2H	0.52
12	3.V.N846.06876/01	96 453 669		69.85	67.61	80.65	77.09	44.68	42.65	1.3/4"-8 UN -2B	2H	0.81
13	3.V.NK44.06876	96 465 904		65.07	63.02	75.15	71.84	41.45	39.53	1.5/8"-8 UN -2B	2H	0.68
14	3.V.NK45.06876	96 465 906		79.37	76.84	91.64	87.61	51.13	48.90	2"-8 UN -2B	2H	1.36



RETRACED WITH REV. 09 ON 26.11.18

**NOTE:**

1. FOR QUALITY REQUIREMENTS REFER LATEST APPLICABLE STANDARD(TDC:5:164).

NO OFF	DESCRIPTION	MATL CODE	MATL SPECN	HEAT TREATMENT	SCRAP SORT	NET WT (kg)	GROSS WT (kg)	DRAWING No	ITEM No
-	-	-	-	-	-	-	-	-	-

CAUTION: The information on this document is the property of BHARAT HEAVY ELECTRICALS LTD. It must not be used directly or indirectly in any way detrimental to the interest of the company.

**TYPE OF PRODUCT OR NAME OF CUSTOMER/PROJECT**

**BHARAT HEAVY ELECTRICALS LTD.,**  
UNIT: HIGH PRESSURE BOILER PLANT.  
TIRUCHIRAPALLI-620014.

DRN	M.SRINIVASAN	SIGN	DATE	NO.OF VAR.
CHD	N.DHANAPAL		22.04.96	
APPD	A.VISWANATHAN		22.04.96	

DEPT	VL	SCALE	WEIGHT (KG).	REFERENCE INFORMATIONS	NO. OF ITEMS
CODE	320	NTS	REF. TABLE	CAD: C306876	

**TITLE** HEX NUT

CARD CODE	DRAWING NO.	REV
U 01	3-V-0000-06876	09

REV	DATE	ALTERED	R.P.SINGH
09	26.11.18	CHD & APPD	SSK & KRS
		SL. No.13 & 14 INCLUDED.	

DRAWING NO: 3-V-0000-23248

12.5 / 3.2

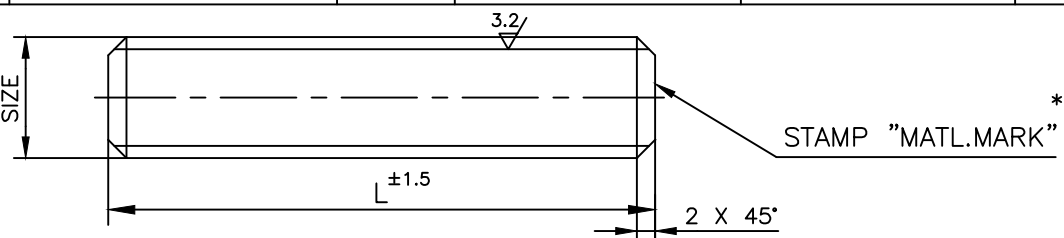
SL.No	DRAWING No.	MATERIAL	MATL. CODE	SIZE	L	WEIGHT IN Kgs.	MATL. MARK*
01	3-V-F522-23248/01	ASTM A193 Gr. B16	96 456 882 0000	7/8"-9UNC-2A	150	0.45	B16
02	3-V-F523-23248/01		96 456 883 0000	3/4"-10UNC-2A	133	0.30	B16
03	3-V-F524-23248/01		96 456 884 0000	1"-8UNC-2A	170	0.71	B16
04	3-V-F525-23248/01		96 456 885 0000	1.1/4"-8UN-2A	215	1.34	B16
05	3-V-F526-23248/01		96 456 886 0000	1.1/8"-8UN-2A	220	1.41	B16
06	3-V-F527-23248/02		96 456 887 0000	1.1/4"-8UN-2A	250	1.74	B16
07	3-V-0001-23248/01	ASTM A193-B8M CL.2, CERTIFY	96 465 635 0000	1/2"-13UNC-2A	80	0.08	B8M
08	3-V-0002-23248/01		96 465 636 0000	5/8"-11UNC-2A	86	0.13	B8M
09	3-V-0003-23248/01		96 465 637 0000	5/8"-11UNC-2A	105	0.16	B8M
10	3-V-0004-23248/01		96 465 638 0000	5/8"-11UNC-2A	118	0.18	B8M
11	3-V-0005-23248/01		96 465 639 0000	3/4"-10UNC-2A	120	0.26	B8M
12	3-V-0006-23248/01		96 465 640 0000	3/4"-10UNC-2A	133	0.29	B8M
13	3-V-0007-23248/01		96 465 641 0000	7/8"-9UNC-2A	150	0.45	B8M
14	3-V-0008-23248/01		96 465 642 0000	1"-8UNC-2A	135	0.53	B8M
15	3-V-0009-23248/01		96 465 643 0000	1"-8UNC-2A	158	0.62	B8M
16	3-V-0010-23248/01		96 465 644 0000	1"-8UNC-2A	170	0.67	B8M
17	3-V-0011-23248/01		96 465 645 0000	1.1/8"-8UN-2A	180	0.90	B8M
18	3-V-0012-23248/01		96 465 646 0000	1.1/4"-8UN-2A	215	1.32	B8M
19	3-V-0013-23248/01		96 465 647 0000	1.1/4"-8UN-2A	250	1.54	B8M
20	3-V-0014-23248/01		96 465 769 0000	7/8"-9UNC-2A	120	0.36	B8M
21	3-V-0016-23248/01		96 465 830 0000	1.1/8"-8UN-2A	140	0.87	B8M
22	3-V-0015-23248		96 465 794 0000	1/2"-13UNC-2A	95	0.09	B8M
23	3-V-F933-23248		96 465 938 0000	1.1/8"-8UN-2A	220	1.41	B8M

SL.No	DRAWING No.	MATERIAL	MATL. CODE	SIZE	L	WEIGHT IN Kgs.	MATL. MARK*	
24	3-V-0017-23248	ASTM A193 Gr. B7M	96 465 854 0000	1/2"-13UNC-2A	80	0.08	B7M	
25	3-V-0018-23248		96 465 855 0000	5/8"-11UNC-2A	86	0.13	B7M	
26	3-V-0019-23248		96 465 856 0000	5/8"-11UNC-2A	105	0.16	B7M	
27	3-V-0020-23248		96 465 857 0000	5/8"-11UNC-2A	118	0.18	B7M	
28	3-V-0021-23248		96 465 858 0000	3/4"-10UNC-2A	120	0.26	B7M	
29	3-V-0022-23248		96 465 859 0000	3/4"-10UNC-2A	133	0.29	B7M	
30	3-V-0023-23248		96 465 860 0000	7/8"-9UNC-2A	150	0.45	B7M	
31	3-V-0024-23248		96 465 861 0000	1"-8UNC-2A	135	0.53	B7M	
32	3-V-0025-23248		96 465 862 0000	1"-8UNC-2A	158	0.62	B7M	
33	3-V-0026-23248		96 465 863 0000	1"-8UNC-2A	170	0.67	B7M	
34	3-V-0027-23248		96 465 864 0000	1.1/8"-8UN-2A	180	0.90	B7M	
35	3-V-0028-23248		96 465 865 0000	1.1/4"-8UN-2A	215	1.32	B7M	
36	3-V-0029-23248		96 465 866 0000	1.1/4"-8UN-2A	250	1.54	B7M	
37	3-V-0030-23248		96 465 867 0000	7/8"-9UNC-2A	120	0.36	B7M	
38	3-V-0031-23248		96 465 868 0000	1.1/8"-8UN-2A	140	0.87	B7M	
39	3-V-NL92-23248		ASTM A193 Gr. B8M CL.2, CERTIFY	96 473 027 0000	1.1/4"-8UN-2A	150	0.94	B8M
40	3-V-Z135-23248			96 473 028 0000	1.1/4"-8UN-2A	180	1.11	B8M

**NOTE**

01. FOR QUALITY REQUIREMENTS: REFER LATEST APPLICABLE PROCEDURE.

NO OFF	DESCRIPTION	MATL CODE	MATL SPECN	HEAT TREATMENT	SCRAP SORT	NET WT (kg)	GROSS WT (kg)	DRAWING No.	ITEM No
-	-	-	-	-	-	-	-	-	-



DCP No.	ALTD: TS	APPD: SSK	DCP No.	ALTD: RPS	APPD: SSK
-	CHD: RPS	DT: 07.09.22	-	CHD: SAB	DT: 22.02.21
REV 09	SL. No. 39 & 40 INCLUDED.			REV 08	3-V-F933-23248 INCLUDED.
ZONE -				ZONE -	

CAUTION: The information on this document is the property of BHARAT HEAVY ELECTRICALS LTD. It must not be used directly or indirectly in any way detrimental to the interest of the company.

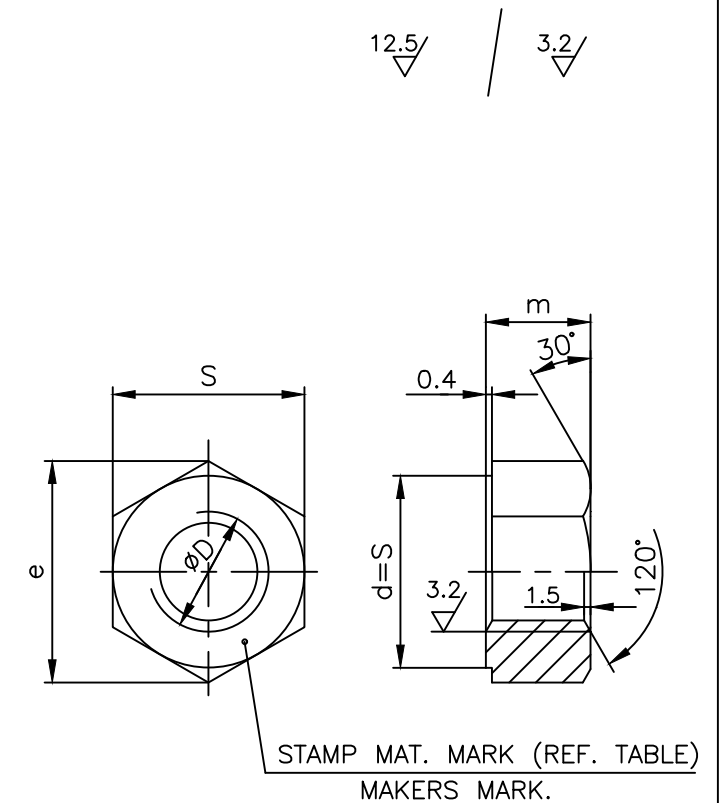
**TYPE OF PRODUCT OR NAME OF CUSTOMER/PROJECT**  
REDRAWN WITH REV.5 ON 26.03.18

 BHARAT HEAVY ELECTRICALS LTD., UNIT: HIGH PRESSURE BOILER PLANT. TIRUCHIRAPALLI-620014. 365-191 02.03.2021	DRN	NAME	SIGN	DATE	NO. OF VAR.
	CHD	K.S.RAMAN		18.05.98	
	APPD	N.NAGARAJAN		18.05.98	

DEPT VL	SCALE NTS	WEIGHT (KG) REF.TABLE	REFERENCE INFORMATION B16 & B7M	NO. OF ITEMS
CODE 320			CAD :C323248	
TITLE STUD			CARD CODE U 01	REV 09
			DRAWING NO. 3-V-0000-23248	

DRAWING NO. 3-V-0000-23249

SL. No.	DRAWING No.	COMP. CODE	MATL. SPECN.	S		e		m		øD	MATL. MARK	NET WT. (Kg.)
				MAX.	MIN.	MAX.	MIN.	MAX.	MIN.			
01	3-V-F522-23249/02	96 456 888 0000	ASTM A194 - Gr.7	36.52	35.41	42.16	40.37	22.47	21.16	7/8"-9 UNC -2B	GR.7	0.11
02	3-V-F523-23249/02	96 456 889 0000	ASTM A194 - Gr.7	31.75	30.78	36.65	35.10	19.25	18.03	3/4"-10 UNC -2B	GR.7	0.08
03	3-V-F524-23249/02	96 456 890 0000	ASTM A194 - Gr.7	41.28	40.01	47.65	45.62	25.70	24.28	1"-8 UNC -2B	GR.7	0.17
04	3-V-F525-23249/02	96 456 891 0000	ASTM A194 - Gr.7	50.80	49.23	58.65	56.11	31.78	30.15	1.1/4"-8 UN -2B	GR.7	0.27
05	3-V-F526-23249/02	96 456 892 0000	ASTM A194 - Gr.7	46.02	44.60	53.16	50.85	29.93	27.41	1.1/8"-8 UN -2B	GR.7	0.22
06	3-V-0001-23249	96 465 648 0000	ASTM A194 - Gr.8M	22.22	21.59	25.65	24.61	12.80	11.79	1/2"-13 UNC -2B	GR.8M	0.02
07	3-V-0002-23249	96 465 649 0000	ASTM A194 - Gr.8M	26.97	26.19	31.17	29.85	16.03	14.91	5/8"-11 UNC -2B	GR.8M	0.03
08	3-V-0003-23249	96 465 650 0000	ASTM A194 - Gr.8M	31.75	30.78	36.65	35.10	19.25	18.03	3/4"-10 UNC -2B	GR.8M	0.08
09	3-V-0004-23249	96 465 651 0000	ASTM A194 - Gr.8M	36.52	35.41	42.16	40.37	22.47	21.16	7/8"-9 UNC -2B	GR.8M	0.11
10	3-V-0005-23249	96 465 652 0000	ASTM A194 - Gr.8M	41.28	40.01	47.65	45.62	25.70	24.28	1"-8 UNC -2B	GR.8M	0.17
11	3-V-0006-23249	96 465 653 0000	ASTM A194 - Gr.8M	46.02	44.60	53.16	50.85	29.93	27.41	1.1/8"-8 UN -2B	GR.8M	0.22
12	3-V-0007-23249	96 465 654 0000	ASTM A194 - Gr.8M	50.80	49.23	58.65	56.11	31.78	30.15	1.1/4"-8 UN -2B	GR.8M	0.27
13	3-V-0008-23249	96 465 847 0000	ASTM A194 - Gr.2HM	22.22	21.59	25.65	24.61	12.80	11.79	1/2"-13 UNC -2B	GR.2HM	0.02
14	3-V-0009-23249	96 465 848 0000	ASTM A194 - Gr.2HM	26.97	26.19	31.17	29.85	16.03	14.91	5/8"-11 UNC -2B	GR.2HM	0.03
15	3-V-0010-23249	96 465 849 0000	ASTM A194 - Gr.2HM	31.75	30.78	36.65	35.10	19.25	18.03	3/4"-10 UNC -2B	GR.2HM	0.08
16	3-V-0011-23249	96 465 850 0000	ASTM A194 - Gr.2HM	36.52	35.41	42.16	40.37	22.47	21.16	7/8"-9 UNC -2B	GR.2HM	0.11
17	3-V-0012-23249	96 465 851 0000	ASTM A194 - Gr.2HM	41.28	40.01	47.65	45.62	25.70	24.28	1"-8 UNC -2B	GR.2HM	0.17
18	3-V-0013-23249	96 465 852 0000	ASTM A194 - Gr.2HM	46.02	44.60	53.16	50.85	29.93	27.41	1.1/8"-8 UN -2B	GR.2HM	0.22
19	3-V-0014-23249	96 465 853 0000	ASTM A194 - Gr.2HM	50.80	49.23	58.65	56.11	31.78	30.15	1.1/4"-8 UN -2B	GR.2HM	0.27
20	3-V-0015-23249	96 465 940 0000	ASTM A194 - Gr.8M	55.57	53.8	64.16	61.37	35.0	33.27	1.3/8"-8 UN -2B	GR.8M	0.42



**NOTE:**

- FOR QUALITY REQUIREMENTS REFER LATEST APPLICABLE QUALITY PROCEDURE.
- SUITABLE OIL PRESERVATIVE SHALL BE APPLIED.

-	-	-	-	-	-	-	-	-	-	-
NO OFF	DESCRIPTION	MATL CODE	MATL SPECN	HEAT TREATMENT	SCRAP SORT	NET WT (kg)	GROSS WT (kg)	DRAWING No	ITEM No	

CAUTION: The information on this document is the property of BHARAT HEAVY ELECTRICALS LTD. It must not be used directly or indirectly in any way detrimental to the interest of the company.

TYPE OF PRODUCT OR NAME OF CUSTOMER/PROJECT

**BHARAT HEAVY ELECTRICALS LTD.,**  
UNIT: HIGH PRESSURE BOILER PLANT.  
TIRUCHIRAPALLI-620014.

DRN	M.SRINIVASAN	SIGN	DATE	22.04.96	NO.OF VAR.
CHD	N.DHANAPAL		23.04.96		
APPD	A.VISWANATHAN		23.04.96		

DEPT VL 365-121

SCALE NTS

WEIGHT (KG) REF. TABLE

REFERENCE INFORMATION CAD: F323249

TITLE **HEX NUT**

CARD CODE U 01

DRAWING NO. **3-V-0000-23249**

REV 05

REV	DATE	ALTERED	R.P.SINGH
05	03.03.21	CHD & APPD	SAMEER & SSK

SL. No. 20 INCLUDED.

3-V-000-25897

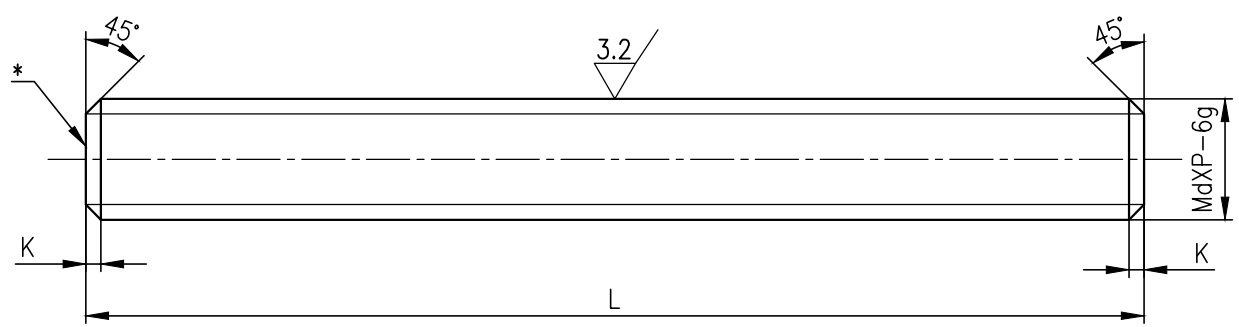
DRAWING NO.

12.5 / 3.2

SL.NO.	DRAWING NO.	COMP. CODE	MATL. SPECN.	DIMENSIONS				NET WT. (IN KGS.)
				Md	P	L	K	
1.	3-V-0001-25897/01	964658350000	ASTM A193-B8M CL.2, CERTIFY	M10	1.5	55	2	0.034
2.	3-V-0002-25897/01	964658360000		M16	2	55	2.5	0.087
3.	3-V-0003-25897/01	964658310000		M20	2.5	130	2.5	0.320
4.	3-V-0004-25897/01	964658320000		M20	2.5	150	2.5	0.370
5.	3-V-0005-25897/01	964658340000		M27	3	180	2.5	0.809
6.	3-V-0006-25897/02	964658330000		M30	3.5	185	2.5	1.027
7.	3-V-0007-25897/01	964658930000		M24	3	150	2.5	0.55
8.	3-V-0008-25897/01	964658940000		M33	3.5	220	2.5	1.5

**NOTES :**

- \* PUNCH MATERIAL MARK B8M FOR A193 - B8M
- QUALITY REQUIREMENTS SHALL BE AS PER LATEST APPLICABLE QUALITY WORK INSTRUCTION.



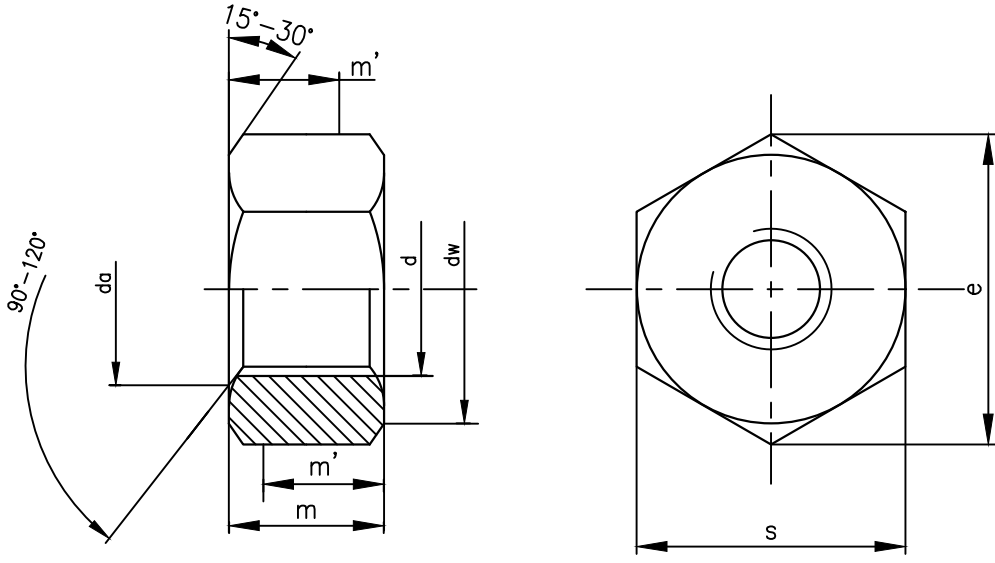
REV	DATE	ALTERED	R.P.SINGH	REV	DATE	ALTERED	R.P.SINGH
03	26.06.20	CHD & APPD	SAMEER & SSK	02	13.11.19	CHD & APPD	SAMEER & SSK
MATL. SPECIFICATION UPDATED.				M30 PITCH 3.5 WAS 3.			

CAUTION: The information on this document is the property of BHARAT HEAVY ELECTRICALS LTD. It must not be used directly or indirectly in any way detrimental to the interest of the company.

NO OFF	DESCRIPTION	MATL CODE	MATL SPECN	HEAT TREATMENT	SCRAP SORT	NET WT (kg)	GROSS WT (kg)	DRAWING No	ITEM No
	TYPE OF PRODUCT OR NAME OF CUSTOMER/PROJECT								
	<b>BHARAT HEAVY ELECTRICALS LTD.</b> UNIT: HIGH PRESSURE BOILER PLANT. TIRUCHIRAPALLI_620014.				DRN	NAME	SIGN	DATE	NO.OF VAR.
	365-121				CHD	R.P.SINGH		27.03.18	
					APPD	S.SATHEES		27.03.18	
						K.RAJASEKARAN		27.03.18	
	DEPT VL			SCALE	WEIGHT (KG).	REFERENCE INFORMATION			NO. OF ITEMS
	CODE 320			NTS					
	TITLE				CARD CODE	DRAWING NO.			REV
	STUD				U 01	3-V-0000-25897			03

CAUTION: The information on this document is the property of BHARAT HEAVY ELECTRICALS LTD. It must not be used directly or indirectly in any way detrimental to the interest of the company.

REV 01	DATE 29.10.18	ALTERED CHD & APPD	R.P.SINGH SSK & KRS	REV	DATE	ALTERED
				CHD & APPD		
MATERIAL SPECIFICATION CHANGED FROM B8MA TO Gr.8M				GROUP No. 0006 & 0007 ADDED		



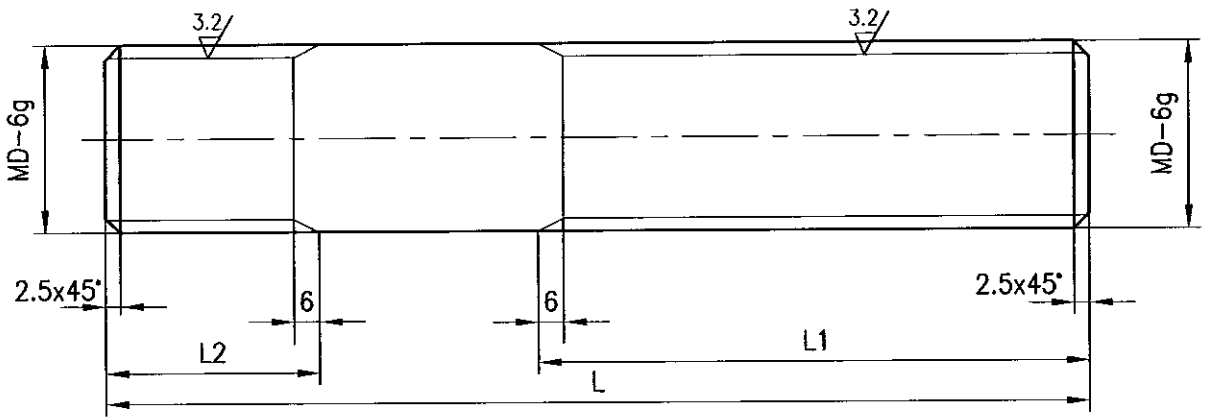
NOTE:- FOR OTHER DIMENSIONS/DETAILS REFER IS:1364.

MATERIAL CODE	DRAWING NO	Thread Size	da		dw	e	m		m'		S		WEIGHT
			d	Min	Max	Min	Min	Max	Min	Min	Max	Min	
964658380000	4-V-0001-27368	M10	10	10.8	14.6	17.77	10	9.64	7.7	16	15.73	0.0108	
964658390000	4-V-0002-27368	M20	20	21.6	27.7	32.95	20.7	19.40	15.5	30	29.16	0.0645	
964658400000	4-V-0003-27368	M27	27	29.16	38	45.2	24.7	22.6	18.1	41	40	0.185	
964658410000	4-V-0004-27368	M30	30	32.4	42.7	50.85	30.7	29.10	23.3	46	45	0.253	
964658440000	4-V-0005-27368	M12	12	13.0	16.6	20.03	12	11.57	9.30	18	17.73	0.0165	
964658970000	4-V-0006-27368	M33	33	35.6	46.6	55.37	33	31.4	25.1	50	49	0.30	
964658960000	4-V-0007-27368	M24	24	25.9	33.2	39.55	24.2	22.9	18.3	36	35	0.11	

HEXAGON NUT		ASTM A194 Gr.8M, CERTIFY											
NO OFF	DESCRIPTION	MATL CODE	MATL SPECN	HEAT TREATMENT	SCRAP SORT	NET WT (kg)	GROSS WT (kg)	DRAWING No		ITEM No			
<b>BHARAT HEAVY ELECTRICALS LTD.,</b> UNIT: HIGH PRESSURE BOILER PLANT. TIRUCHIRAPALLI 620014.						DRN	NAME R.P.SINGH		SIGN	DATE 16.04.18	NO.OF VAR		
						CHD	S.SATHEES			16.04.18			
						APPD	K.RAJASEKARAN			16.04.18			
DEPT VL		SCALE		WEIGHT (KG).		REFERENCE INFORMATIONS				NO. OF ITEMS			
CODE 320		NTS		REFER TABULATION		---							
TITLE HEX NUT						CARD CODE U 01	DRAWING NO. 4-V-0000-27368				REV 01		

REV	DATE	ALTERED V.B
4	15.03.04	CHD & APPD M.R.K
SL.No.08 INCLUDED.		

12.5 / 3.2



REDRAWN WITH REV.4 ON 15.03.04

CAUTION: The information on this document is the property of BHARAT HEAVY ELECTRICALS LTD. It must not be used directly or indirectly in any way detrimental to the interest of the company.

SL. No.	COMP. CODE	MATL. CODE	MATL SPECN.	SCRAP SORT	NET WT(Kg)	GROSS WT(Kg)	L	L1	L2	MD-6g
DRAWING No.		SUGGESTED SIZE			DIMENSIONS					
08	931301830000	153391390000	SA105, NR CERTIFY	10	1.10	1.70	440	120	20	M20
	4-V-NA06-06800	ø25x450			0.80	1.20	300	120	20	M20
07	931097630000	153391390000			0.40	1.0	250	50	16	M16
	4-V-N846-06800	ø25x310			0.50	0.85	210	100	20	M20
06	931191430000	153391390000			0.35	0.60	140	80	20	M20
	4-V-W084-06800	ø25x260			0.70	1.10	270	120	20	M20
05	931086530000	153391390000			0.94	1.50	380	100	20	M20
	4-V-N722-06800	ø25x220			0.42	0.72	170	100	20	M20
04	931055020000	153391390000								
	4-V-K591-06800	ø25x150								
03	931054810000	153391390000								
	4-V-N231-06800	ø25x280								
02	931054750000	153391390000								
	4-V-C434-06800	ø25x390								
01	931051010000	153391390000								
	4-V-N224-06800	ø25x180								



**BHARAT HEAVY ELECTRICALS LTD.,**  
 UNIT: HIGH PRESSURE BOILER PLANT.  
 TIRUCHIRAPALLI 620014.

DRN	NAME	SIGN	DATE	NO. OF VAR
CHD	V. BAIRAVAN		15.03.04	
APPD	R.L. NARAYANAN		15.03.04	
	M. RAJAKUMAR		15.03.04	

DEPT VL		SCALE	WEIGHT (KG).	REFERENCE INFORMATIONS	NO. OF ITEMS	
CODE 320		N T S		CAD REF. C406800		
TITLE				CARD CODE	DRAWING NO.	REV
INDICATOR STUD				U 01	4-V-0000-06800	4



# PLANT STANDARD

BPS 41101

Rev. No. 00

PAGE 01 of 03

HPBP TIRUCHIRAPPALLI

## STUDS – TYPE A

(AS PER IS: 1862 - 1975)

**1.0 SCOPE:** Covers the requirement of STUDS - TYPE A in the size range M3 to M39x3

### 2.0 SPECIFICATION AND REFERENCE STANDARDS

MATERIAL	STEEL
DIMENSION AND PREFERRED SIZES	FIG 1 & TABLE 1 OF THIS STANDARD
PREFERRED LENGTH, SIZE COMBINATION	TABLE 2 OF THIS STANDARD
THREAD	PITCH AS PER TABLE – 1, TOLERANCE 6g, STANDARD IS: 4218 PART - 3,5&6
MECHANICAL PROPERTIES	CLASS 6.6, AS PER IS:1367 PART-3
TOLERANCE	PRODUCT GRADE- A, AS PER IS:1367 PART-2
SAMPLING AND ACCEPTIBILITY	IS:2614
GENERAL REQUIREMENTS	STUDS SHALL COMPLY WITH IS: 1862 IN RESPECT OF REQUIREMENTS NOT COVERED IN THIS STANDARD.

### 2.1 Referred standards (Only current versions are applicable)

IS: 1862	Specification for Studs.
IS: 1367	Technical supply conditions for threaded steel fasteners.
IS: 2614	Methods for sampling of fasteners.
IS: 4218	ISO Metric screw threads.

### 3.0 Designation

A Grade A Stud to this standard of thread size M10 and nominal length 25 mm shall be designated as:

#### 3.1 On Drawings

i) Material Specification column	IS: 1862 - A
ii) Description column	STUD A GR. A 6.6 M10x25
iii) Drawing number column	BPS 41101
iv) Material Code Column	41101 10025 00

### 3.2 Order Description

For placing indents, issuing enquiries and on purchase order, ordering description given below shall be followed.

**Stud A M10x25, IS: 1862 – A 6.6**

Revisions

Approved

STANDARDS SECTION  
ITSS, HPBP, TIRUCHIRAPPALLI

Rev. No.00

Amd. No.

Reaffirmed

Prepared

Issued

Dt of 1st Issue

Dt.

Dt.

Year

STANDARDS

STANDARDS

18.10.2013

### 4.0 ADDITIONAL INFORMATION

4.1 Property class 5.6 or 6.8 may also be accepted on agreement between the purchaser and supplier.

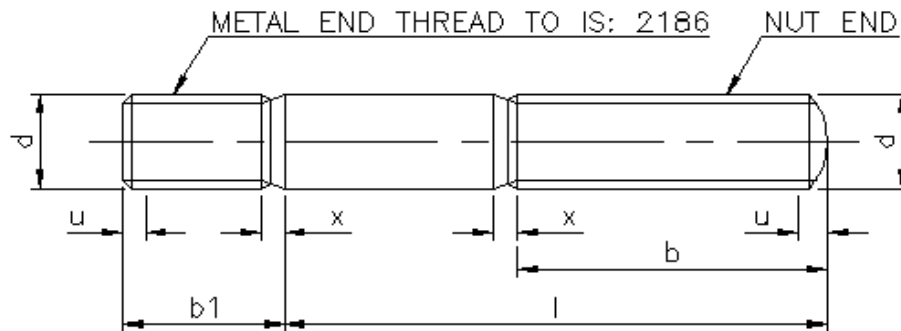
4.2 For Cadmium plated studs, refer BPS: 41141.

4.3 These studs are recommended for use in steel.

4.4 For studs for use in cast iron, refer BPS: 41102.

4.5 Studs with cut threads are also acceptable.

**FIG. 1 DIMENSION FOR STUDS**  
(All dimensions are in millimeters)



u according to IS:1368 – Dimensions of ends of bolts and Screws

x according to IS:1369 – Dimensions of Screw thread runouts and undercuts

(Table 1. All dimensions are in millimeters)

Thread Size d (h13)	b + 2p *			b1 (js 16)		
	1≤125	125<1≤200	1>200	Nom	Max	Min
M3	12	-	-	3	3.3	2.7
M4	14	-	-	4	4.38	3.62
M5	16	-	-	5	5.38	4.62
M6	18	-	-	6	6.38	5.62
M8	22	-	-	8	8.45	7.55
M10	26	32	-	10	10.45	9.55
M12	30	36	-	12	12.55	11.45
M16	38	44	57	16	16.55	15.45
M20	46	52	65	20	20.65	19.35
M24	54	60	73	24	24.65	23.35
M30	66	72	85	30	30.65	29.35
M36x3 (M39x3)	78 84	84 90	97 103	36 39	36.8 39.8	35.2 38.2

Note:

1. Sizes in brackets are non-preferred.

\* 2. P is pitch of thread.



# PLANT STANDARD

HPBP TIRUCHIRAPPALLI

BPS

41101

Rev. No.

00

PAGE

03 of 03

Table 2 – Preferred length – size combinations for studs  
(All dimensions are in millimeters)

Nominal Length 'l'	M3	M4	M5	M6	M8	M10	M12	M16	M20	M24	M30	M36X3	(M39x3)
14													
16													
20													
25						17.8							
30													
35						24.2							
40							41						
45						29.4							
50								92.7					
55													
60								108					
65													
70													
75													
80										224			
85													
90													
100										271			
110													
120													
130													
140													
150													
160													
170													
180													
190													
200													
225													
250													
275													
300													

**NOTE:**

1. Preferred lengths are between the bold stepped lines.
2. Weights are given in kg per 1000 numbers only.
3. For stocked sizes refer BPS components booklet.
4. For studs with length above the stepped bold line, thread length  $b \sim 1 - (x+3)$



**Product: CARBON & ALLOY STEEL FASTENERS (STUDS, BOLTS & NUTS) FOR VALVES, OIL FIELD EQUIPMENT (OFE) AND OTHER APPLICATIONS**

Revision Record: 00: 17.01.90: First issue. Rev: 01:21.06.90 Editorial corrections. Rev 02:21.04.91 TC for studs/bolts added. Rev 03: 04.04.96: Annexure I amended. CI 3.3.3 & 5.3 modified. Rev 04:20.10.96: NDT, Acid pickling added & re-written. Rev 05: 28.04.98: CI 3 modified to include MPI, certificate modified & CI 7.4 deleted. Rev 06:15.06.99: Title, CI 1 to 5 & 7.1 modified. CI 7.2 changed to CI 7.3. CI 7.3 changed to 7.4 and modified. CI 7.2 Galvanizing added. Test certificate sample format modified.  
Rev 07: 15/06/2017: TDC: 5:166 for CS & AS Nuts has been merged with this TDC. Totally revised in line with changed requirements and Xylan coating requirements added.  
Rev 08: 14/09/2019: CI 1.0, 2.0, 3.0, 4.0, 5.0 modified in line with API 6A 21<sup>st</sup> Ed 2018 Errata 1 and for better clarity.  
Rev.09: 19/02/2021: Latest version of the referred Standards/Specifications indicated throughout TDC; CI.2.0 iid added; CI.4.1 added; Annexure-1 modified;


### 1.0 MATERIAL SPECIFICATIONS:

All the codes, standards, specifications, drawings & procedures, etc., referred in this TDC shall be of latest revision as on the date of Purchase Order, unless specified otherwise.

Studs/Bolts - Alloy Steel	:	ASME SA 193-19 /ASTM A 193-20 Gr B7, B7M & B16.
Nuts - Carbon Steel	:	ASME SA 194-19 /ASTM A 194-20A Gr 2H & 2HM
Alloy Steel	:	ASME SA 194-19 /ASTM A 194-20A Gr 4 & 7
Additional Requirements	:	As listed below (Supplementary to the above material specifications)
Size and Quantity	:	As per Purchase Order (PO) & Applicable Drawing

### 2.0 GENERAL REQUIREMENTS:

- i. This TDC is applicable for Valves, OFE (API 6A 21<sup>st</sup> Ed 2018 Errata 3 Addendum 1 & API 16C 2<sup>nd</sup> Ed 2015 Addendum 1 Errata 4) and other applications including NACE MR0175 / ISO 15156:2015 Parts 1, 2 & 3. The products shall be manufactured to the relevant requirements specified in the applicable drawings, specifications, PO & this TDC.
- ii. Studs / Bolts / Nuts used for OFE application:
  - a. Studs / Bolts / Nuts shall be qualified and manufactured in accordance with BSL 1 of API 20E. The qualification & requalification records as per API 20E Ed 2017 Addendum 2 shall be maintained by the Supplier. The supplier shall prepare Manufacturing Process Specification(MPS) to include as a minimum allowable levels for all Studs/Bolts/Nuts manufacturing parameters including process control variables and heat treatment parameters as per API 20E Ed 2017 Addendum 2 and this TDC.
  - b. Raw material shall be fully wrought. Reduction ratio based on starting material diameter shall be a minimum of 4:1. The steel shall conform to the respective material specifications. Intentional addition of Boron is not allowed. All elements intentionally added to the heat shall be reported in the Test Certificate.
  - c. Furnace calibration shall be in accordance with API 6A 21<sup>st</sup> Ed 2018 Annex M; SAE AMS 2750 Rev.F; or SAE AMS H6875 Rev.C. For induction or direct resistant heat treatment, calibration shall be in accordance with manufacturer's written procedure. For forging furnaces, calibration shall be in accordance with manufacturer's written procedure
  - d. Heat lot:
    - Batch furnace: bolting or raw material of a single heat and diameter, heat treated together as a single austenitizing, quenching, tempering, and stress-relieving charge.
    - Continuous furnace: bolting or raw material of a single heat and diameter heat treated without interruption in a continuous charge
- iii. Nuts shall be hot/cold forged or manufactured from hot rolled/cold drawn bars. If made from

	<b>BHEL – Tiruchirappalli - 620014, India.</b> <b>Quality Assurance Department</b> <b>TECHNICAL DELIVERY CONDITIONS</b>	DOC No: <b>TDC:5:164 Rev: 09</b> Effective Date: <b>19/02/2021</b> Page: <b>2 of 7</b>
<b>Product: CARBON &amp; ALLOY STEEL FASTENERS (STUDS, BOLTS &amp; NUTS) FOR VALVES, OIL FIELD EQUIPMENT (OFE) AND OTHER APPLICATIONS</b>		

hexagonal bars, 100% MT is to be done on bars as per ASTM E709-15 to ensure freedom from surface/sub-surface defects.

- iv. Hot rolled & cold drawn bars, if used (for studs/bolts or nuts), shall be machined at least 2 mm (minimum) in radius (i.e. 4 mm in diameter) to remove the seams completely. After machining, at least 10% of the bars shall be tested by MPI as per ASTM E709-15 to ensure freedom from surface/sub-surface defects.
- v. Heat treatment of finished studs/bolts shall be carried as per the material specification requirements for corresponding grades. For heat treatment of finished components, salt bath or controlled atmosphere furnace shall be used. After heat treatment, the threads shall be thoroughly cleaned to remove all deposits. If acid pickling is done for cleaning, it shall be as per Cl. 6 (v) of this TDC.
- vi. Cadmium Plating (Cl 6 (i) of this TDC), Electroplating (Cl 6 (ii) of this TDC) and/or Xylan Coating (Cl 6 (iii) of this TDC) shall be done on the fasteners if specified in Drawing/PO. For all other cases, rust preventive coating (Cl 6 (iv) of this TDC) shall be done.

### 3.0 CHEMICAL, MECHANICAL PROPERTIES & NDE:

- i. Mill certificate from steel manufacturer for conformance to chemistry heat-wise shall be submitted. Additionally, product analysis shall be done on one sample/heat by the stud/bolt/nut manufacturer. Methods and practices for chemical analysis shall be in accordance with ASTM A 751-20.
- ii. The microstructure and macrostructure shall conform to the requirements of the respective material specifications.
- iii. **Tensile Testing for Studs/Bolts:** One tensile test/heat/size/ HT batch shall be carried out in the finished heat treated condition as per SA / A 193 and shall meet the material specification requirements for corresponding grades.

#### iv. Hardness Testing for Studs/Bolts:

Hardness testing, including specimen preparation, shall be performed in accordance with ASTM A 370-20 including Annex A3, except that testing shall also be in conformance with ASTM E10-18 or ASTM E18-20.

- a) **For ASME SA 193-19 / ASTM A 193-20 Gr B7 & B16:** Hardness check shall be carried out on finished stud/ bolt as per ASME SA 193-19 / ASTM A 193-20, at least on 10% of the finished studs/bolts.

Gr B7: Hardness: 25 to 34 HRC or 253 to 319 HBW.  
Gr B16: Hardness: 25 to 35 HRC or 253 to 321 HBW.

- b) **For ASME SA 193-19 / ASTM A 193-20 Gr B7M:**

Hardness check on 100% of studs/bolts as per SA193.  
Gr B7M: Hardness: 94 to 99 HRB or 201 to 235 HBW.

#### v. Mechanical Testing for Nuts:

- a) **For ASME SA 194-19 / ASTM A 194-20A Gr 2H, Gr 4, & Gr 7:**

Hardness check on finished nuts shall be as per ASME SA 194-19 / ASTM A 194-20A (including quantum of testing).

Gr 4: Hardness: 24 to 35 HRC or 248 to 327 HBW.

Gr 2H & Gr 7: Hardness: 24 to 34 HRC or 248 to 319 HBW.

- b) **For ASME SA 194-19 / ASTM A 194-20A Gr 2HM:**

Hardness check on 100% of finished nuts shall be carried out as per ASME SA 194-19 /



Product: CARBON & ALLOY STEEL FASTENERS (STUDS, BOLTS & NUTS) FOR VALVES, OIL FIELD EQUIPMENT (OFE) AND OTHER APPLICATIONS

ASTM A 194-20A.  
Gr 2HM: Hardness: 159 to 235 HBW.

- c) **Proof load test shall be done as per ASME SA 194-19 / ASTM A 194-20A for all grades of nuts** and shall meet the requirements of corresponding grades of the material specification.
- d) After final heat treatment, sample nuts shall be heat treated as per Table 1 and meet the corresponding hardness requirements.

Table 1.

Grade	Temperature (°C)	Soaking Time (Hr)	Cooling	Minimum Hardness (HBW) at room temperature
2H	540	24	Slow Cool	179
2HM	540	24	Slow Cool	159
4, 7	590	24	Slow Cool	201

- e) **Cone Stripping Test:** This test shall be performed as per ASME SA 194-19 / ASTM A 194-20A in case of visible surface discontinuities. On such cases Proof load shall be as per ASME SA 194-19 / ASTM A 194-20A.
- vi. **NDE:**  
Magnetic particle inspection shall be carried out as per ASTM E709-15 in at least 10% of the finished studs/bolts of all grades. Cracks, linear indications (length  $\geq$  3 times its width) are unacceptable.

#### 4.0 SAMPLING INSPECTION:

All inspection shall be in accordance with relevant drawing or BPS (Boiler Plant Standard), PO, this TDC and ASME SA 193-19 / ASTM A 193-20 for studs/bolts and ASME SA 194-20 / ASTM A 194-20A for nuts. The threads shall be checked with calibrated ring gauges for studs/bolts & plug gauges for nuts in the final heat treated condition for black variety and *prior to* final plated/coated condition for the cadmium plated/electroplated/ xylan coated items.

Visual, dimensional checks and their acceptance shall be as per applicable drawing and ASME SA 193-19 / ASTM A 193-20 for studs/bolts & ASME SA 194-20 / ASTM A 194-20A for nuts.

#### 4.1 Gauging Requirements for Xylan along with Zinc Coated Fasteners

- i. **Studs**
- No under sizing is allowed
  - Prior to Xylan and Zinc Coating, Class 2A Gauge to be used for inspection
  - After coating, No Gauge inspection is required
- ii. **Nut**
- Under sizing is allowed to maximum of 0.2mm in the internal diameter of threads
  - Prior to under sizing, Class 2B Gauge to be used for inspection
  - After under sizing, a gauge having an allowance as per Class 2B along with 0.2mm under sizing allowance to be made and inspected thereof
- iii. **Assembly of Stud and Nut**
- Free run of nut over stud to be ensured
  - No play is allowed
  - After free run of nut over stud, Xylan coating should not get peeled off.

#### 5.0 MARKING & PACKING:

- Punch/emboss each finished component with applicable material grade (B7/ B7M/ B16 for studs/bolts; 2H/2HM/4/7 for nuts) and supplier's emblem. Studs/bolts of grade B7M and nuts of Gr 2HM shall have a line under the grade symbol.
- Punch/emboss serial number also in B7M studs/bolts and Gr 2HM nuts in addition to the above, to correlate with hardness. Protect the threaded ends with plastic end caps. Pack in wooden



**Product: CARBON & ALLOY STEEL FASTENERS (STUDS, BOLTS & NUTS) FOR VALVES, OIL FIELD EQUIPMENT (OFE) AND OTHER APPLICATIONS**

box/ gunny bag of convenient size for easy handling and transportation. Mark quantity in each box/gunny bag.

- iii. In addition to the above, studs / Bolts / Nuts for OFE applications shall be marked with unique heat lot identification and followed by "20E1". Each piece 1 in. nominal diameter and larger shall be marked. For studs / Bolts / Nuts less than 1 in. nominal diameter, the studs / Bolts / Nuts shall be securely containerized to maintain heat lot identification and traceability. Multiple heat lots shall not be mixed in a single container. Containers used in the processing, storing, and shipping of studs / Bolts / Nuts not individually marked shall be clearly labeled with all marking information required by the relevant material specifications and API 20E Ed 2017 Addendum 2.

**6.0 SPECIAL REQUIREMENTS:**

**i. CADMIUM PLATING:**

- Clean the fasteners to make them free from rust, grease, oil, scale, etc., before plating. When pickling is considered essential, it shall be done as per Cl 6 (v) of this TDC.
- Apply Cadmium Plating to the specified thickness on specified areas. Thickness shall be measured on 5% of the PO quantity of fasteners.
- After plating, bake the parts at 175°C to 205°C for a minimum period of 3 hours. The elapsed time between plating and baking shall not exceed 8 hours.
- Apply a Chromate Conversion coating after plating and baking.

**ii. ELECTROPLATING OF ZINC CHROMATE:**

- Clean the fasteners to make them free from rust, grease, oil, scale, etc., by suitable organic solvents/ hand tool methods before electroplating. Then, pickling shall be done as per Cl 6 (v) of this TDC.
- The fasteners shall then be electroplated as per the method and to the minimum coating thickness specified in the applicable drawing. Thickness shall be measured on 5% of the PO quantity of fasteners.
- All electroplated parts (regardless of strength level) shall be baked within 2 hours after plating at 375 °F–425 °F (191 °C–218 °C ) for 8 hours minimum at temperature

**iii. XYLAN COATING:**

- Clean the fasteners by blast cleaning to Sa2.5 to make them free from rust, grease, oil, scales, etc., before xylan coating.
- The fasteners shall then be xylan coated as per the requirements and to the minimum coating thickness specified in the applicable drawing.

**c) Tests for Xylan Coating:**

The following test shall be carried out on Xylan coated fasteners and results to be reported in the Test certificate (in addition to the Test Certificate for the fastener material and other inspections requirements):

**i) Thickness measurement:**


Dry film thickness of Xylan coating to be measured using a magnetic induction or Eddy current type electronic gauge and the reading shall meet the drawing/PO requirement for thickness of coating of Xylan 1070. The thickness measurements shall be made in accordance with ASTM D7091-20. Thickness shall be measured on 5% of the PO quantity of fasteners.

**ii) Cure Test:**

This test method is for ensuring the completeness of cure of Xylan 1070 coating by evaluating the resistance of the cured coating to a solvent known to attack uncured film. The testing method shall be as per Whitford test method 115B (as recommended by the Xylan coating supplier).

**Acceptance criteria:** No white precipitate or stain shall be available after the test.

**iii) Adhesion Test using Cross-hatch and Cello Tape:**

	<b>BHEL – Tiruchirappalli - 620014, India.</b> <b>Quality Assurance Department</b> <b>TECHNICAL DELIVERY CONDITIONS</b>	<b>DOC No: TDC:5:164 Rev: 09</b> <b>Effective Date: 19/02/2021</b> <b>Page: 5 of 7</b>
	<b>Product: CARBON &amp; ALLOY STEEL FASTENERS (STUDS, BOLTS &amp; NUTS) FOR VALVES, OIL FIELD EQUIPMENT (OFE) AND OTHER APPLICATIONS</b>	

Test as per ASTM D3359-17 Method B for measuring Adhesion by Tape Test.  
**Acceptance Criteria:** No loss of adhesion (5B Classification).

**iv) Salt Spray Test:**

Xylan coated fasteners should pass a minimum requirement of 500 hours of salt spray test as per ASTM B117-19. Certificate of compliance for meeting the salt spray test requirements shall be provided.

**iv. RUST PREVENTIVE FLUIDS/COATING REQUIREMENTS:**

- a) Clean the fasteners to make them free from rust, grease, oil, scale, etc., by hand tool/ manual cleaning method.
- b) Apply one coat of rust preventive fluid, of any of the following brands of the suppliers (Table 2), to obtain dry film thickness of 20 microns minimum:

**Table 2. Rust Preventive Fluid/Coatings Brands**

SI No	Brand/Chemical	Supplier Name and Address
1	BONITA-RPF	M/s Bonita Chemicals, 64, Industrial Estate, Nunhai, Agra-282 006
2	CHAMPION-RPF	M/s Guardian Chemicals, 8, Rajaji Hind st, West Lake Area, Nungambakkam, Madras-600 034
3	ECONOL RPF (non-drying type)	M/s Process Aids, Bangalore
4	TECTYL 506	M/s Plastipeel Chemicals and Plastics (P) Ltd, Thane-400 604
5	TRPF	M/s Sundaram Paints Pvt. Ltd., Thanjavur-613 004
6	TRPF	M/s Solar Paints, Pudukkotai.
7	WICOR-P	M/s Western India Paint and Color Co P. Ltd, Madras-600 017

Use of any other brand/chemical shall be done with the prior approval of BHEL.

**v. ACID PICKLING:**

- a) Wherever pickling done, it shall be done using Hydrochloric acid of 5-10% concentration for a period of 5 to 10 minutes at room temperature with suitable inhibitor.
- b) After pickling thorough rinsing shall be carried out with water to remove acid residues & further DM water rinsing. After thorough rinsing with DM water, the rinsing shall not show any red color (free acidity) when tested with methyl orange indicator.

**7.0 CERTIFICATION:**

The manufacturer shall provide Test Certificates (TC) duly countersigned by the Authorized Inspecting Authority nominated by BHEL in P.O. (if specified) along with raw material TC from Steel Maker. *The applicable versions of the referred Codes, Standards and Specifications shall be reported in the Test Certificates and NDE reports.* Manufacturer's TC shall contain the following details as per the sample format attached as Annexure-1 to this TDC:

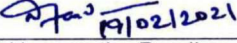

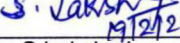
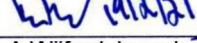

- i. BHEL PO No & PO Date
- ii. Technical Delivery Condition (TDC) No & its Revision No, Drawing & its revision no
- iii. Melt/Heat No, Serial No (if applicable)
- iv. Raw Material TC Number and Date
- v. Chemical and Mechanical properties for Studs/Bolts and Nuts *including the location and orientation of test specimens*
- vi. Heat treatment details (temperature, time, cooling medium, etc.)
- vii. *NDE reports with NDE Personnel qualification records, all relevant NDE operating parameters and NDE Results with reference and acceptance criteria*
- viii. Type of Surface coating & its coating thickness – Cadmium Plating, Chromate conversion coating, Electroplating, Xylan Coating, Rust preventive coating, etc.
- ix. Test methods and results on Xylan Coating
- x. Baking details for cadmium plating, electroplating & Xylan coating
- xi. Manufacturers' identification mark
- xii. Certify soundness & confirmation to PO requirements.



BHEL – Tiruchirappalli - 620014, India.  
Quality Assurance Department  
TECHNICAL DELIVERY CONDITIONS

DOC No: TDC:5:164 Rev: 09  
Effective Date: 19/02/2021  
Page: 6 of 7

Product: CARBON & ALLOY STEEL FASTENERS (STUDS, BOLTS & NUTS) FOR VALVES, OIL FIELD EQUIPMENT (OFE) AND OTHER APPLICATIONS

 19/02/2021	 19/2/21	 19/2/21	 19/2/21	 19/02/2021
N Nagamuthu Pandian	P Arun kumar	S Lakshmi	A Wilfred Joseph	J V V Aruna Kumar
Manager/QA	DM / Valves Engg	DGM/QA	AGM / Valves/MM	SDGM / QA
Prepared By	Reviewed By			Approved By



Product: CARBON & ALLOY STEEL FASTENERS (STUDS, BOLTS & NUTS) FOR VALVES, OIL FIELD EQUIPMENT (OFE) AND OTHER APPLICATIONS

**Annexure-1. Test certificate for Studs/Bolts & Nuts– Sample format**

TC No:	Date:
Customer :	PO No./ Amd :
TDC No./Rev.:	DC No. :
Product :	Drg. No./Rev :
Description : (Spec, dia, pitch, length)	Thread Spec. :
Quantity :	
<u>Requirement</u> :	<u>Records/ Observation</u>
Size of bar - Before machining :	
- After machining :	
Type of furnace used for hardening :	

TDC Clause no.	Raw Material mill TC No: Melt/Heat Number:	TC Date: Reduction Ratio:
2.0 & 3.0	<b>a) Heat Treatment Details:</b> Hardening Temperature: °C; Soaking time: Cooling Medium: Tempering Temperature: °C; Soaking time: Cooling Medium: <b>b) Additional Tempering for Nuts (after final tempering):</b> Temperature: °C; Soaking time: Cooling Medium:	
3.0	<b>a) Product analysis for chemistry</b>	
	<b>Report No &amp; Date:</b>	
	Spec	C Mn P S Si Cr Mo V Ni Others
	Min.	
	Max.	
	Actual	
	<b>b) Tensile test after H &amp; T and final drying (Finished heat treated condition) – For Studs/Bolts</b>	
		UTS (MPa) YS (MPa) %Elongation %Red in Area
	Reqd/Spec Value	
	Test result	
	Spec Value Test result Remarks	
	c) Hardness Test Result (for Studs/Bolts, Nuts):	
	d) Hardness Test Result (for Nuts after 24 hrs of tempering):	
	e) Proof load (kN) for nuts & result	
	f) Result of Cone Stripping test for nuts	
	g) NDE Result for Studs/Bolts:	
4.0	Visual and dimensional checking as per applicable drawing for studs/bolts & nuts:	
5.0	Punching details (identification): End cap for threaded portion:	
6.0	<b>a) Type of coating:</b> Cadmium Plating /Chromate Conversion / Electroplating/ Xylan /Rust preventive coating (Tick applicable coating) Coating thickness/DFT:	
	<b>b) Tests for Xylan Coating</b>	<b>Results</b>
	<b>c) Pickling Acid:</b> Concentration: Drying after pickling. Temperature: °C; Soaking time:	

This is to certify that the above results are correct and the parts meet specification and PO requirements.

Signature with date  
Supplier: In-charge of Quality

Signature with date  
BHEL / Authorized Inspection Agency

Note: Additional Sheets may be attached, if required.



# भारत हैवी इलेक्ट्रिकल्स लिमिटेड

(भारत सरकार का उपक्रम)

इंडस्ट्रियल वाल्वस प्लांट

## Bharat Heavy Electricals Limited

(A Govt. of India Undertaking)

### Industrial Valves Plant

Quality Assurance Plan for Fasteners\*:  
NUT, BOLT (INCL EYE BOLT, LIFTING EYE BOLT), STUD

BHE:QAP:FAS:02  
Dt:15.03.2019

SN	Stage of inspection	Inspection type		Ref doc	Quantum of check	Format of Record	Agency	
							M	BHEL/TPIA
1	Raw material	Chemical/Mechanical properties		Material test certificate	100%	MTC report	V	V
2	Finished product	Chemical Analysis	Chemical composition	Material specification in drg	one sample per heat	Annex 1 of TDC	P	W
		Mechanical Properties	Tensile strength	Material specification in drg	one sample per heat	Annex 1 of TDC	P	W
			Mechanical testing for nut		10% or 20 nos			
			Hardness		hardness check at manufacturer end, one sample each type per heat for TPIA or BHEL**			
		Dimension	As per drawing, Thread with GO/ NO GO Gauge	Material drg/BPS	10% or 20 nos/type.	Inspection report	P	P
		Visual	Free from burrs, physical damages		100%	Annex 1 of TDC	P	P
MPI	ASTM E709	As per procedure	10% or 20 nos/type.	MPI report	P	W		
Marking/Identification	Material grade/supplier name or symbol	As per PO/Drawing/TDC	10%	Annex 1 of TDC	P	W		

Vid  
15/03/19  
(MKS/MP)

S. R. Kanungo  
15/03/19  
(S. R. Kanungo)

S. R. Kanungo  
15/03/19  
S. R. Kanungo



# भारत हैवी इलेक्ट्रिकल्स लिमिटेड

(भारत सरकार का उपक्रम)

इंडस्ट्रियल वाल्वस प्लांट

## Bharat Heavy Electricals Limited




(A Govt. of India Undertaking)

### Industrial Valves Plant

3	Rust preventive oil		As per TDC:5:164	100%	Annex 1 of TDC	P	W
	Packing	Packed in wooden/cardbo ard box with layer to layer cushioning material.		10%	Annex 1 of TDC	P	W
	Test certificate	MTC			Annex 1 of TDC	P	V

M-Manufacturer, V-Verification, W-Witness, P-Perform

- \* QAP IS PREPARED TO MEET REQUIREMENT OF TDC:5:164 (latest), PLS REFER IT, IN CASE OF AMBIGUITY ARISES.
- \*\* TPIA/BHEL MAY INCREASE SAMPLE QTY UP TO 10%.

 Vikas Kumar Sr. Engr / QM Prepared	 Samir Shandilya Sr Mgr/ QM &HSE Reviewed	 S R Kenny AGM/QM, HSE, Engg, TEC & SM) Approved
---	---	--



**भारत हेवी इलेक्ट्रिकल्स लिमिटेड**  
 (भारत सरकार का उपक्रम)  
**इंडस्ट्रियल वाल्वस प्लांट**  
**Bharat Heavy Electricals Limited**  
 (A Govt. of India Undertaking)  
**Industrial Valves Plant**

Standard Quality Assurance Plan for Stainless steel fasteners

BHE:SQAP:SS:01

Dt:12.08.2021

SN	Stage of inspection	Inspection type		Ref doc	Quantum of check	Format of Record	Agency	
							M	BHEL/TPIA
1	Raw material	Chemical/Mechanical properties		Material test certificate	100%	MTC report	V	V
2	Finished product	Chemical Analysis	Chemical composition (for both stud and nut)	Material specification in drawing/PO	one sample per heat	Chemical Test Report	P	W
		Mechanical Properties	Tensile strength	Material specification in drawing/PO	one sample per heat	Mechanical Test Report	P	W
			Yield strength/Proof Load (for both stud and nut)		one sample per heat			
			Elongation		one sample per heat			
			Reduction of area		one sample per heat			
			Hardness (for both stud and nut)		10% or 20 nos.			
Dimension	As per drawing, Thread with GO/ NO GO Gauge (for both stud and nut)	Material drg/BPS	10% or 20 nos/type whichever is lower.	Inspection report	P	P		

अमनप्रीत सिंह / Amanpreet Singh  
 उप प्रबंधक / Dy. Manager (QM)  
 भारत हेवी इलेक्ट्रिकल्स लिमिटेड  
 Bharat Heavy Electricals Limited  
 (A Govt. of India Undertaking)  
 इंडस्ट्रियल वाल्व प्लांट / Industrial Valves Plant  
 गोइंदवाल साहिब / Goindwal Sahib (Tarn Taran) - 147 122

Manvir Singh  
 Sr. Manager (QM)  
 BHEL, IVP, Goindwal

*(Signature)*



**भारत हेवी इलेक्ट्रिकल्स लिमिटेड**  
 (भारत सरकार का उपक्रम)  
**इंडस्ट्रियल वाल्वस प्लांट**  
**Bharat Heavy Electricals Limited**  
 (A Govt. of India Undertaking)  
**Industrial Valves Plant**

	Heat Treatment	-----	Material specification in drawing/PO	100%	Heat Treatment Report	P	V
	Visual	Free from burrs, physical damages		100%		P	P
	Marking/Identification	Material grade and supplier name or symbol	As per PO/Drawing/Applicable Standard	10%		P	W
3	Packing	Packed in wooden/cardboard box with layer to layer cushioning material.	As per PO/Drawing/Applicable Standard	10%		P	W

M-Manufacturer, V-Verification, W-Witness, P-Perform

- QAP IS PREPARED TO MEET REQUIREMENT OF ASTM 193 & ASTM 194 (Latest Revisions), PLS REFER IT, IN CASE OF AMBIGUITY ARISES.
- TPIA/BHEL MAY INCREASE SAMPLE QTY UP TO 10%.

 अमनप्रीत सिंह / Amanpreet Singh डप प्रबंधक / Dy. Manager (QM) भारत हेवी इलेक्ट्रिकल्स लिमिटेड Bharat Heavy Electricals Limited (A Govt. of India Undertaking) इंडस्ट्रियल वाल्वस प्लांट / Industrial Valves Plant गोइन्दवाल साहिब / Goindwal Sahib (Dist. Tarn Taran)	 Manvir Singh Sr. Manager (QM) BHEL, IVP, Goindwal	
Amanpreet Singh Dy. Manager / QM	Manvir Singh Sr Mgr/ QM & BE	S R Kenny AGM/QM & BE
Prepared	Reviewed	Approved