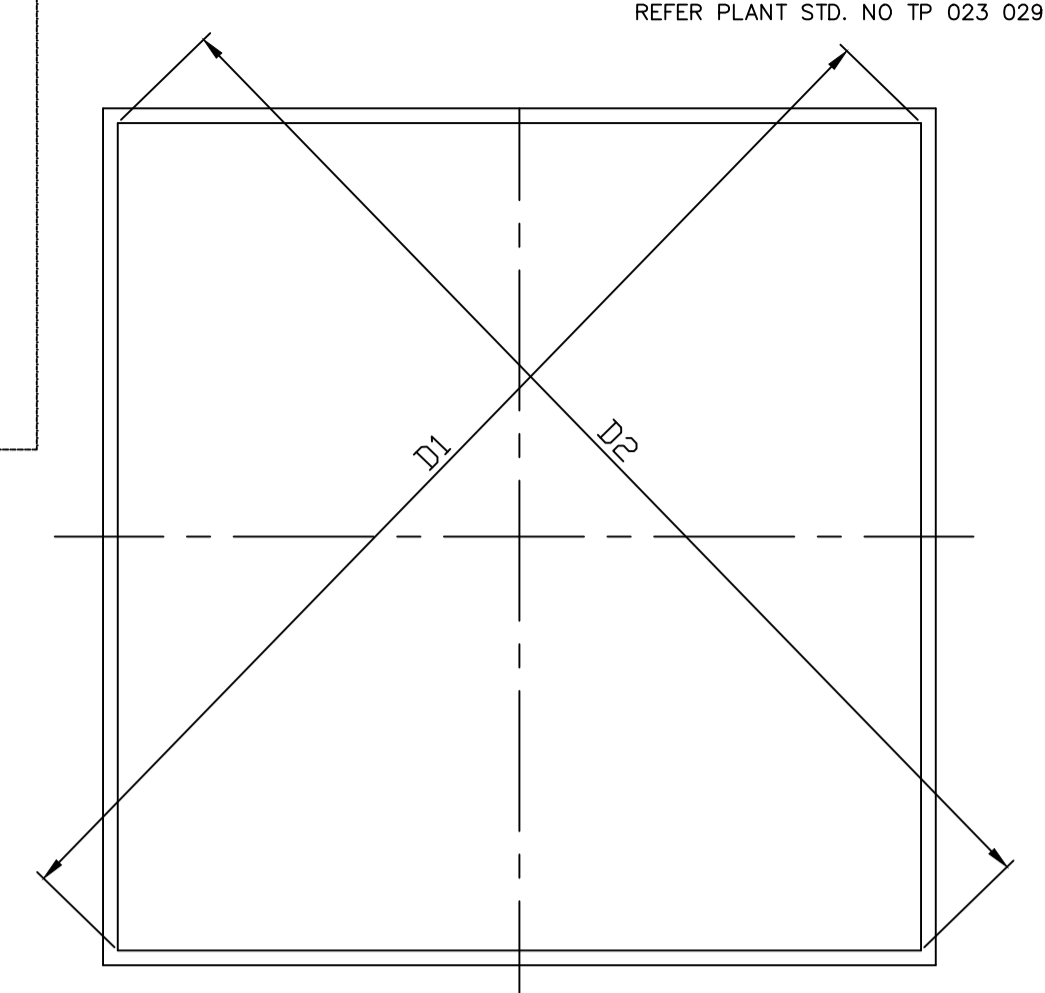
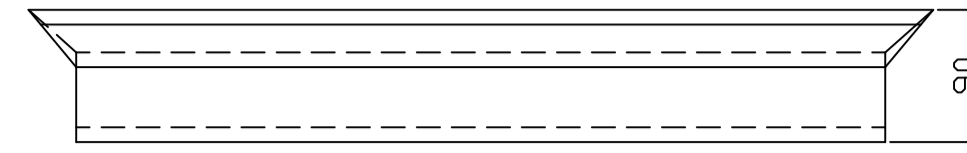
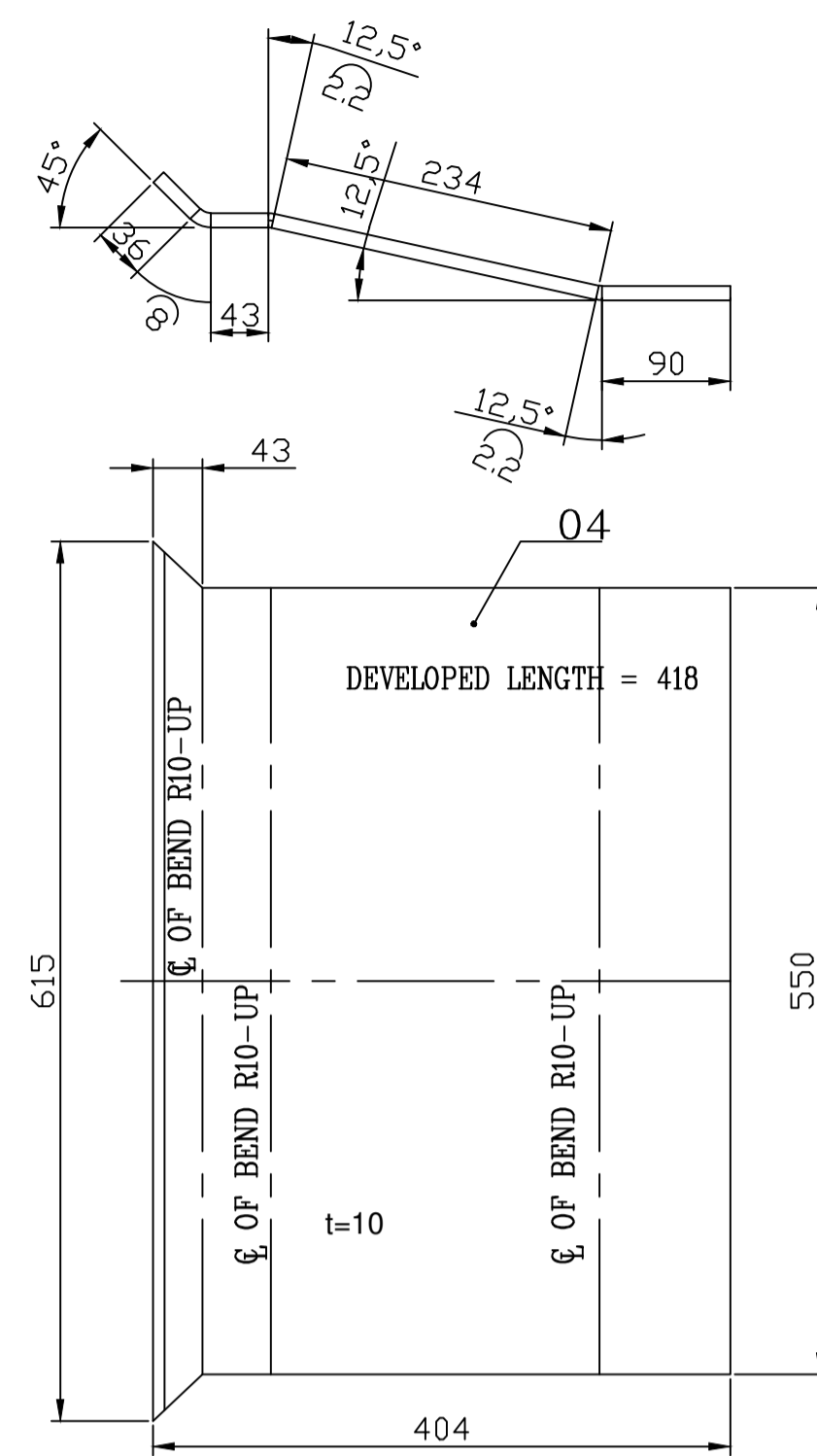
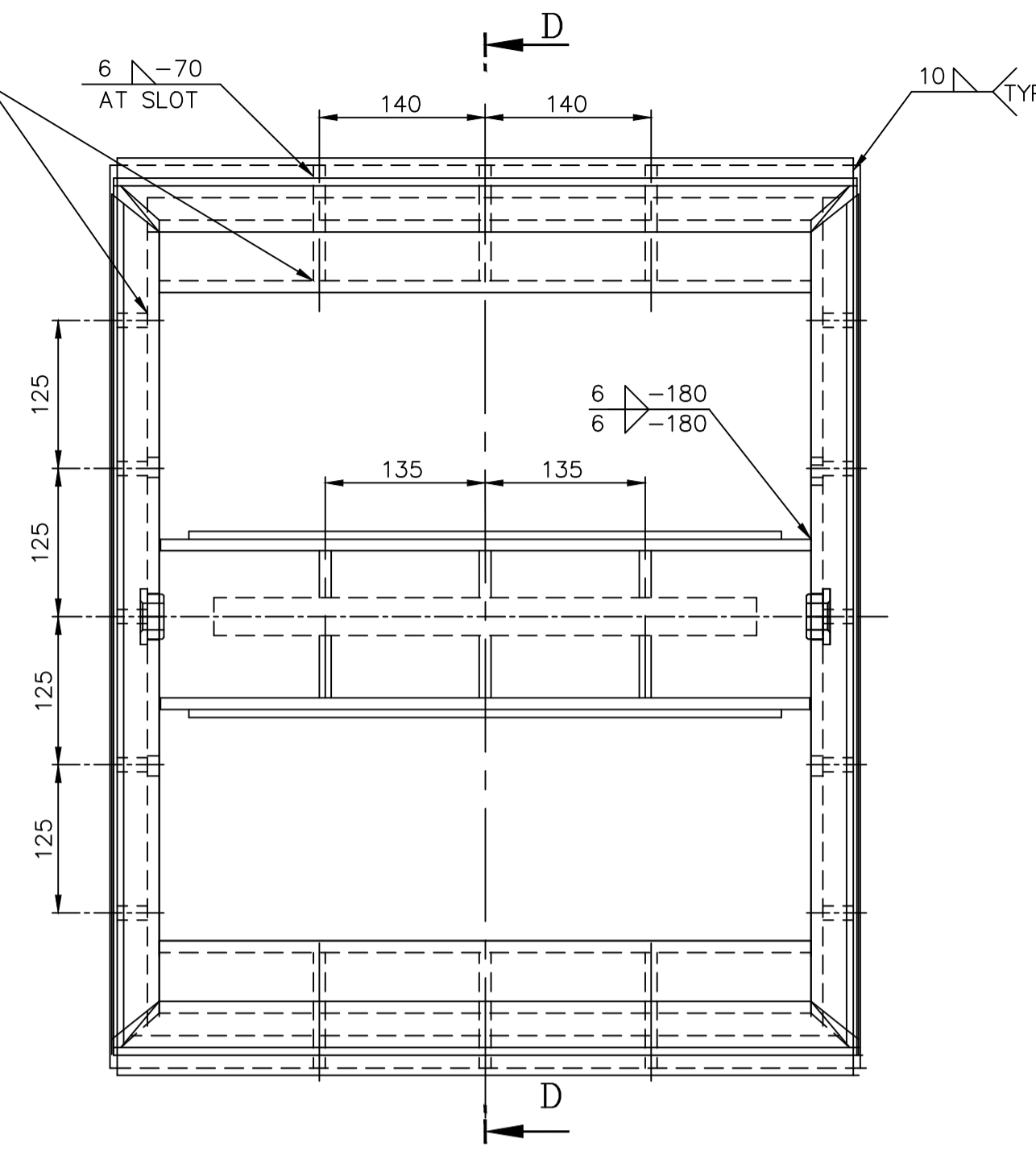
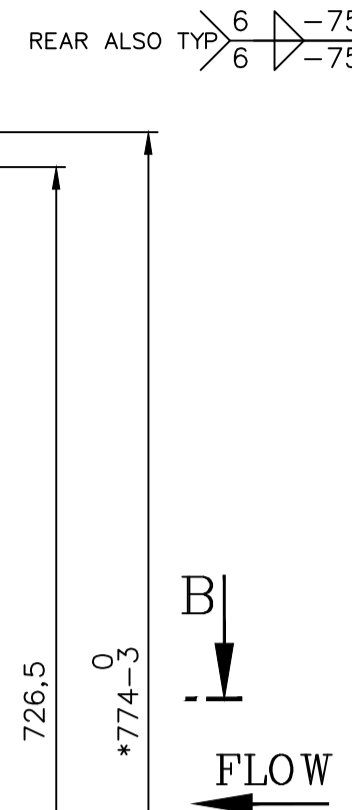
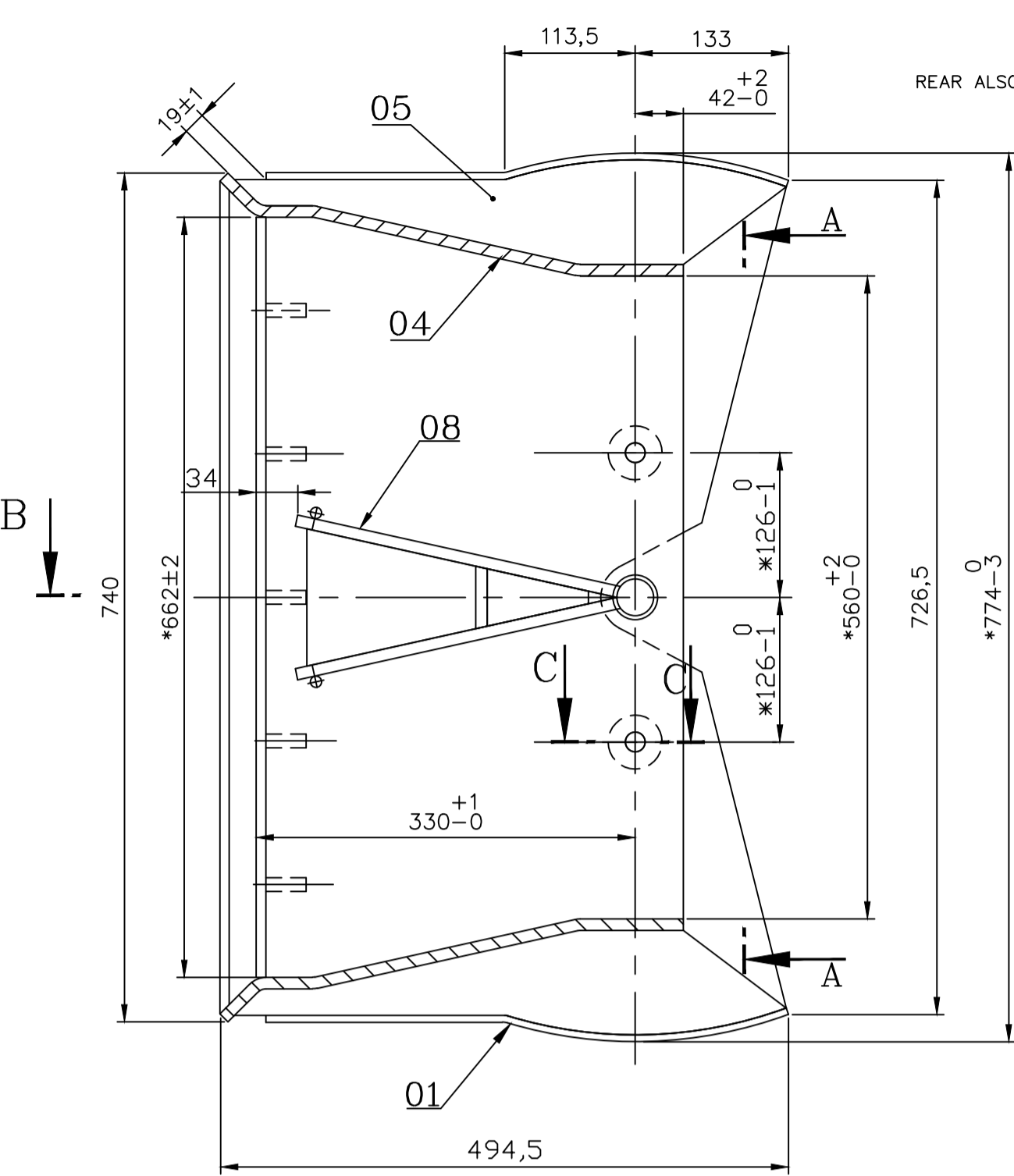




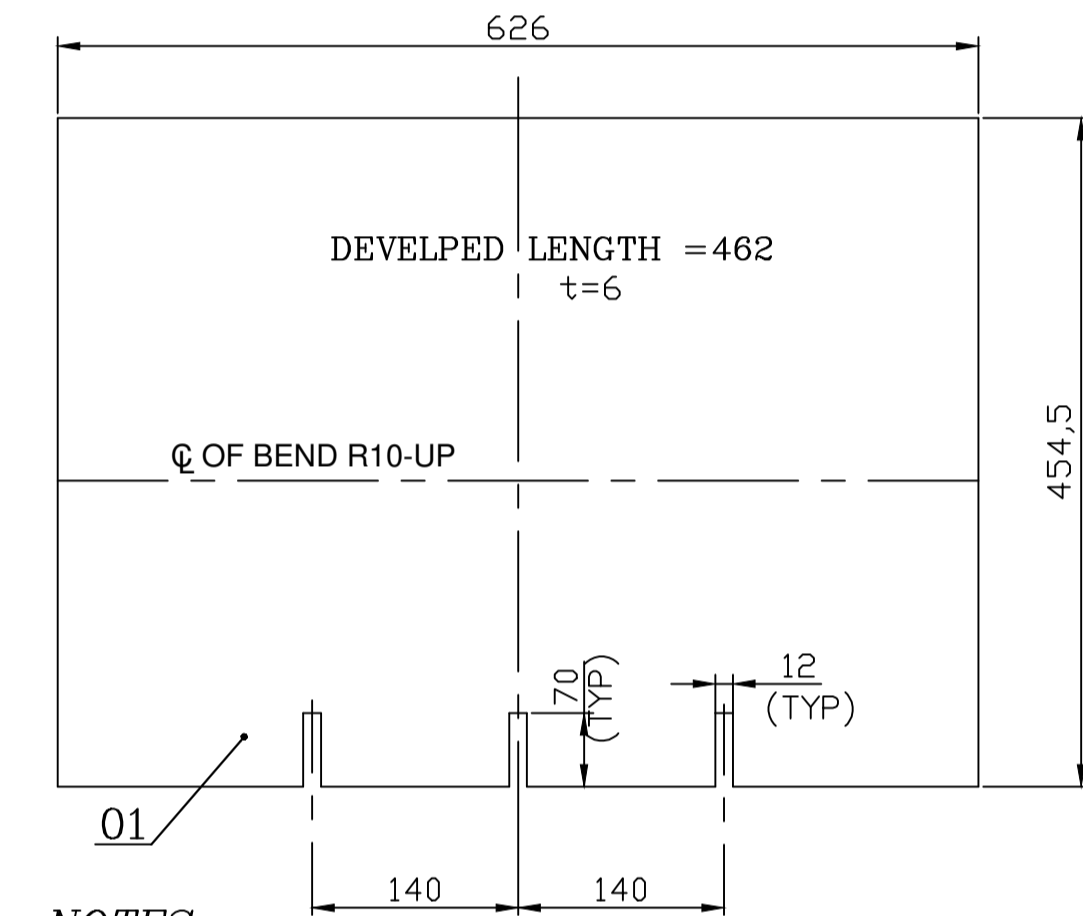
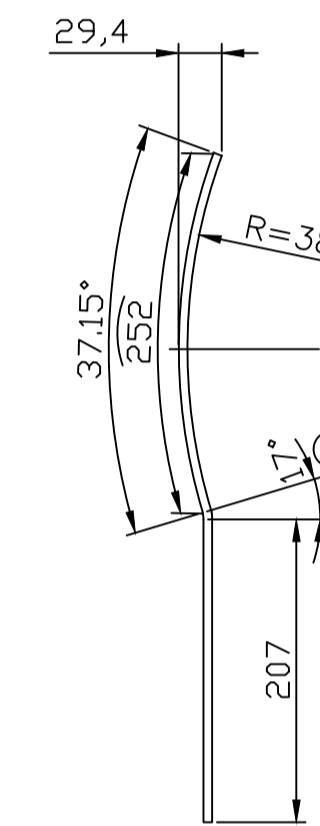
1-45-220-00943

SECTION - DD



D1 & D2 (DIAGONALS) TO BE WITH IN 1.5MM OF EACH OTHER.

VIEW-AA

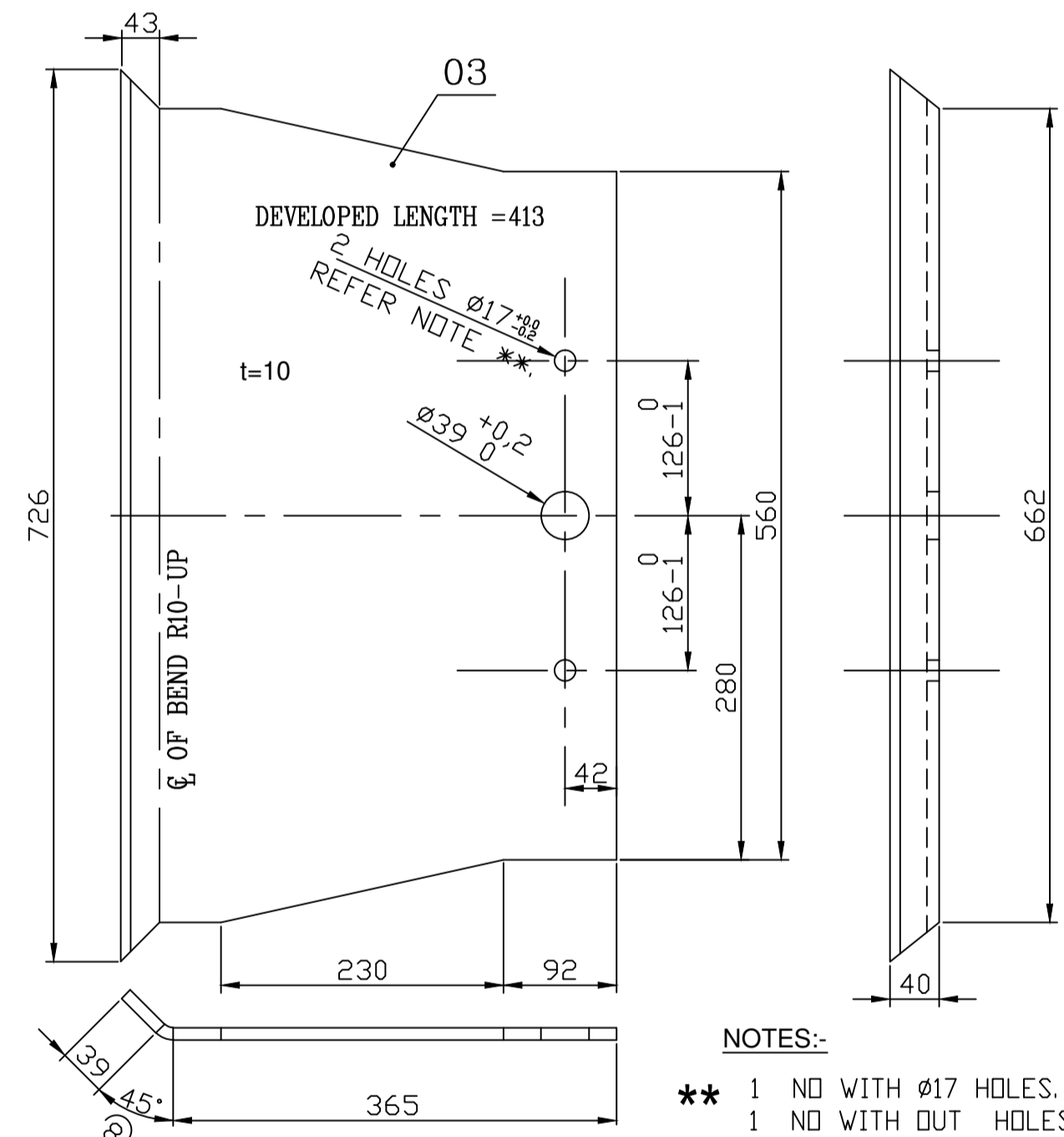
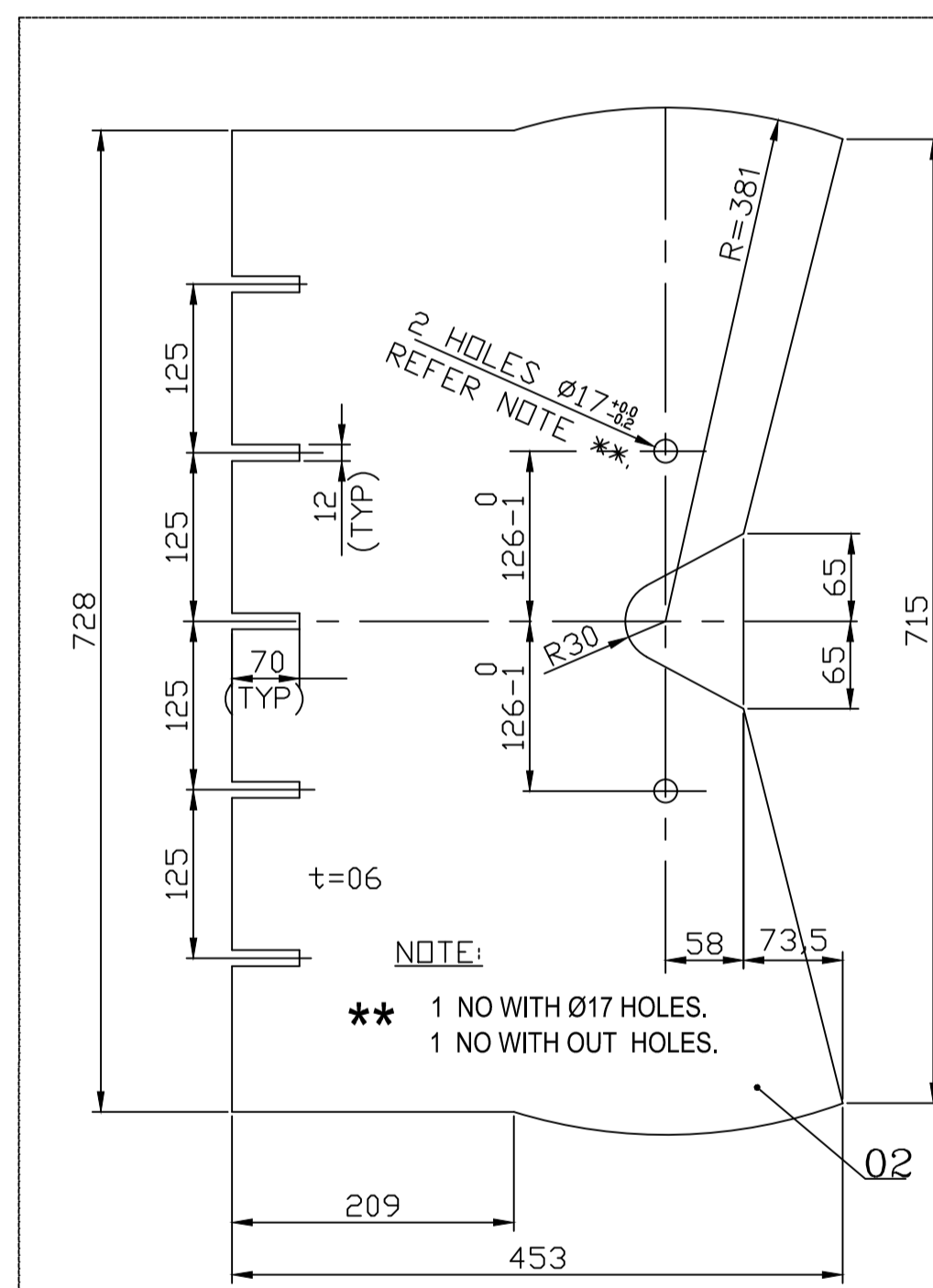
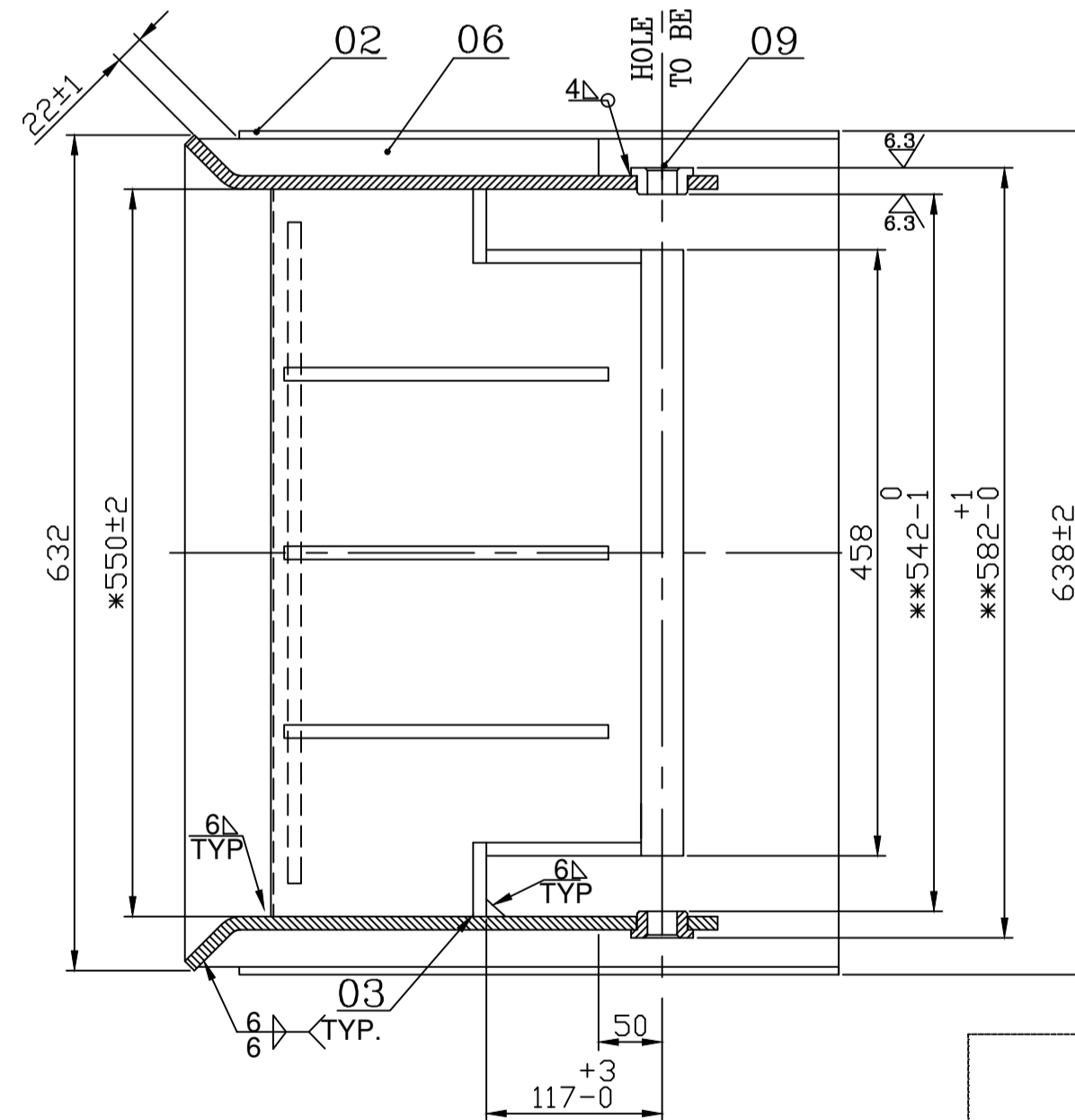


NOTES:

- 1.\*MOST CRITICAL DIMENSION.
- 2.DRILLED HOLES SHALL BE FREE OF BURRS.
- 3.FOR ALL WELDING USE APPLICABLE WPS.
- 4.FOR TOLERANCES REFER DRG.NO:1-45-220-00805.
- 5.FOR WELDING DETAIL REFER DRG.NO:4-45-00-00975.

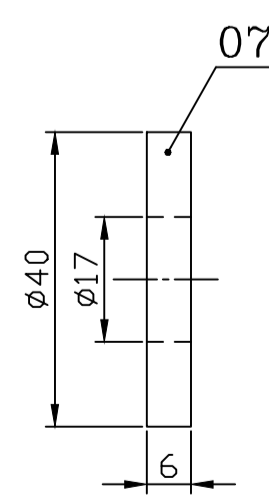
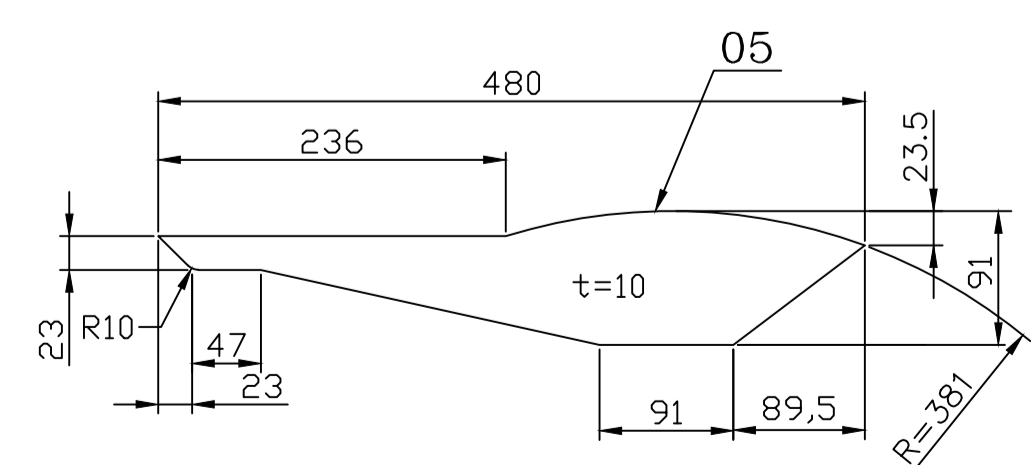
- \* MOST CRITICAL DIMENSION
- \*\* PVT. BRG. FACES MAY BE GROUND TO ACHIEVE REQD. DIMENSION.

HOLE DIA25 H11 OF ITEM NO 09 TO BE CO-AXIAL & ENSURED.

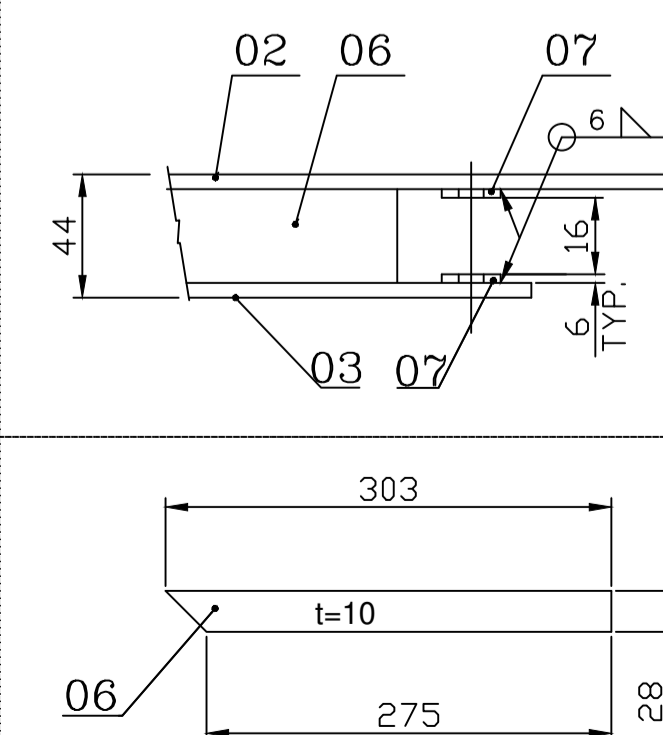


- \*\* 1 NO WITH Ø17 HOLES.
- 1 NO WITH OUT HOLES.

SECTION - BB



SECTION - CC



REV	DATE	ALTERED	BY	ZONE	REV	DATE	ALTERED	BY	ZONE	REV	DATE	ALTERED	BY	ZONE
06	25.1.12	CHD & APPD	GSK		04	27.07.02	CHD & APPD	R.SESHARAJAN		02	11.03.98	CHD & APPD	R.SESHARAJAN	
05	27.9.04	CHD & APPD	KRM		03	28.10.98	CHD & APPD	R.SESHARAJAN		01	19.2.98	CHD & APPD	R.SESHARAJAN	

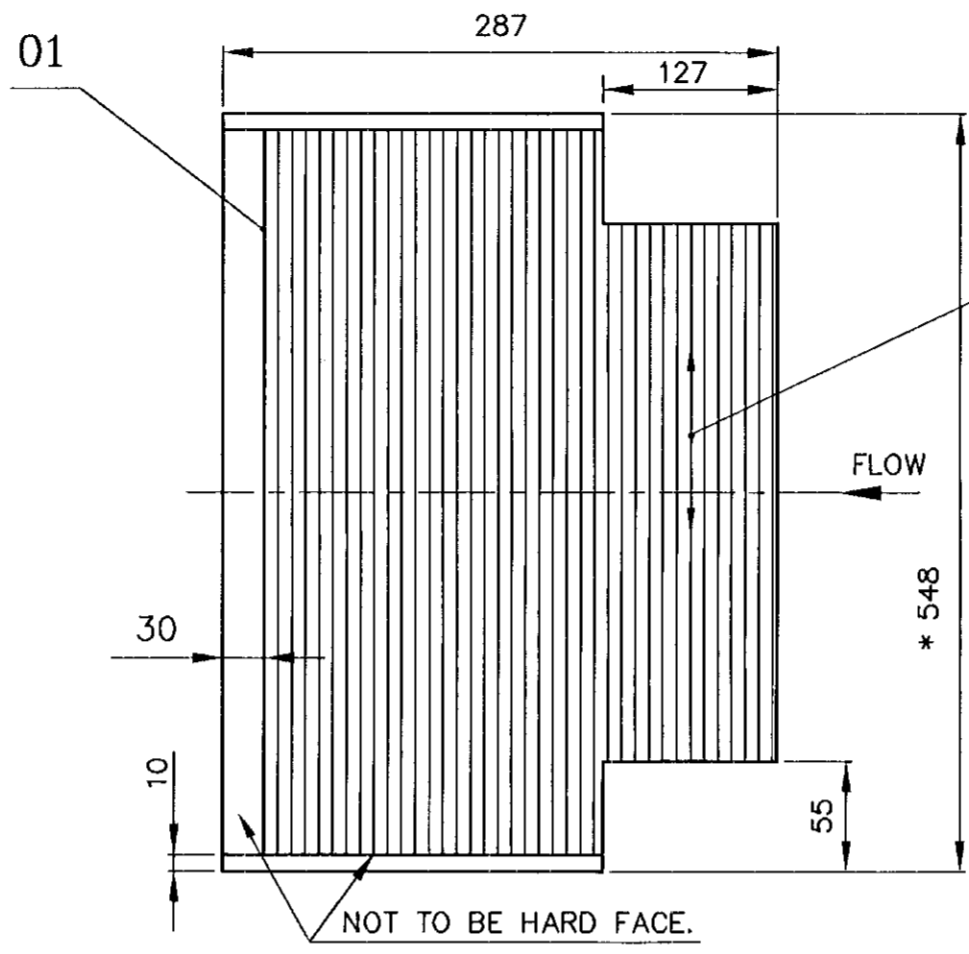
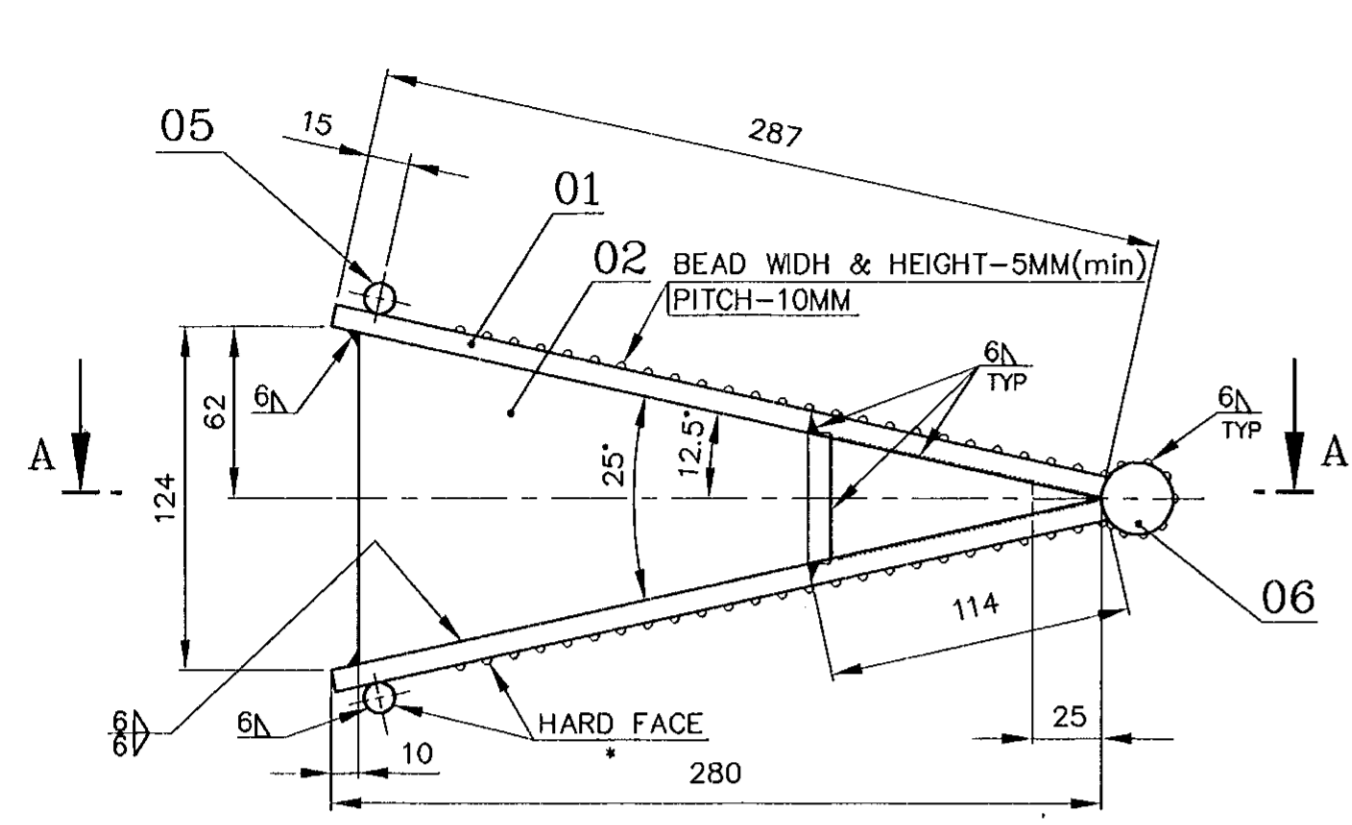
VARIANT NUMBER		ITEM NUMBER	DESCRIPTION	STD	DRAWING NUMBER	ITEM NO	MATERIAL CODE	UNIT	UNIT WEIGHT	ZONE
	09	CNT PIVOT BEARING	4-45-220-01262		15-024-159			0.170		
					SA 479 TYP304			02		
	08	VEE BLOCK-CNTIP	2-45-220-00998		WELDMENT			31.988		
					15-011-741			0.049		
	07	ROUND D40; 6			SA 240 TYP309			0.647		
					SA 167 TYP309			10		
	06	PL 10X303X28			15-011-469			2.026		
					SA 167 TYP309			06		
	05	PL 10X480X91			15-011-469			18.466		
					SA 167 TYP309			02		
	04	PL 10X615X418			15-011-469			20.425		
					SA 167 TYP309			02		
	03	PL 10X726X413			15-011-741			14.271		
					SA 167 TYP309			02		
	02	PL 6X762X453			15-011-741			13.882		
					SA 167 TYP309			02		
	01	PL 6X626X462			SA 167 TYP309			02		

CAUTION: The information on this document is the property of BHARAT HEAVY ELECTRICALS LTD. It must not be used directly or indirectly in any way without the consent of the company.

TYPE OF PRODUCT OR NAME OF CUSTOMER/PROJECT		SIGNATURE		DATE
Bharat Heavy Electricals Ltd		DRN	ANBU.K	31.12.1997
UNIT: HIGH PRESSURE BOILER PLANT		CHD	R.SESHARAJAN	31.12.1997
TIRUCHIRAPALLI - 620014		APPD	P.RAMREDDY	31.12.1997
DEPT	355-053	PRODUCTION		
CC	ALL DIMENSIONS ARE IN MM	SCALE	1:5	WEIGHT (Kg)
CODE	129	NTS		185.238
TITLE	WIDE RANGE COAL NOZZLE TIP			REF TO ASSY / OLD DWG
DRAWING NO :	1-45-220-00943			REV
				06

2-45-220-00998  
DRAWING NO.

FOR TOLERANCES OF UNTOLERANCED DIMENSIONS DURING MANUFACTURE REFER PLANT STD. NO TP 023 0299

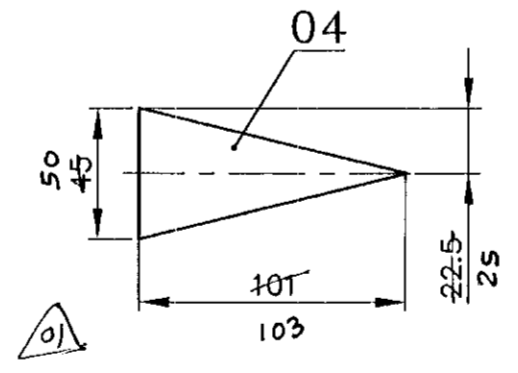
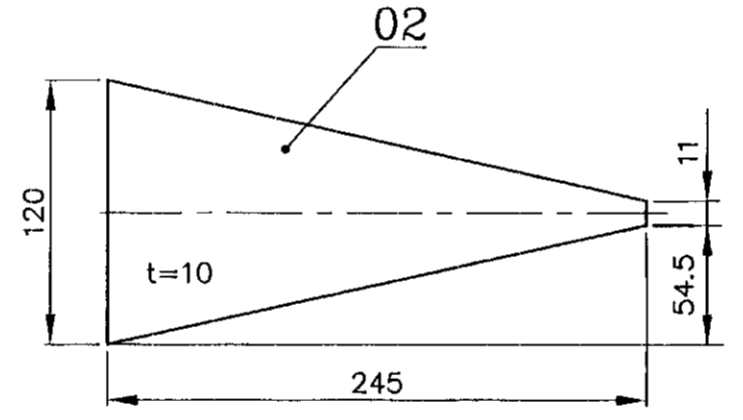
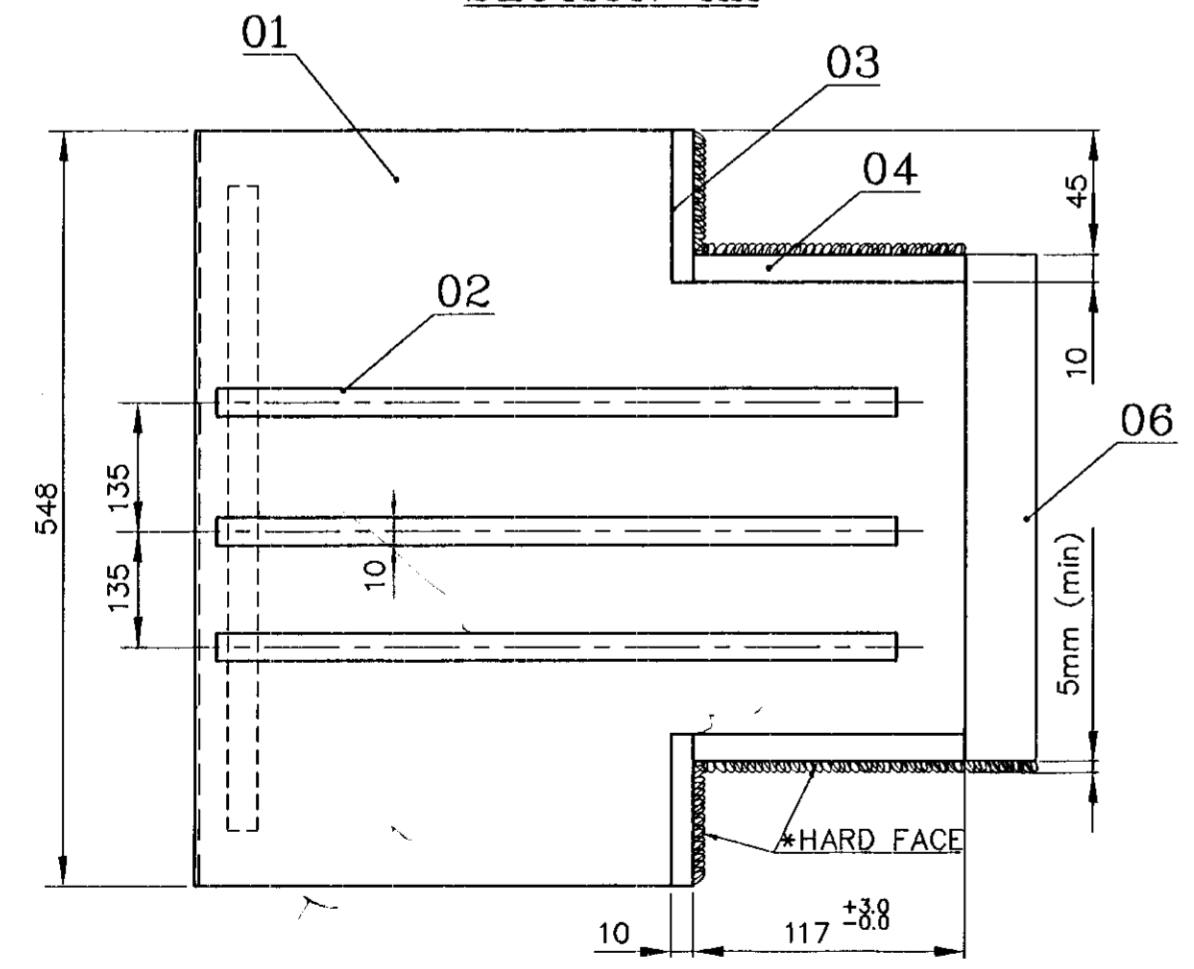


\* DIRECTION OF WELD LAY- J TO FLOW DIRECTION ONE SIDE ONLY.

NOTES: -

1. FOR ALL WELDINGS & FOR HARD FACING USE APPLICABLE WPS.
2. HARD FACING SHALL BE CARRIED TO ACHIEVE A HARDNESS OF 52-58 HRC.

SECTION-AA



VARIANT NUMBER	ITEM NUMBER	DESCRIPTION	STD	DRAWING NUMBER	ITEM NO	MATERIAL CODE	A/C/P	UNIT	UNIT WEIGHT	SS	ZONE
VAR NO		MATERIAL SPECN					DI	QUANTITY			
	06	ROD D32 ; 458				15 024 194			2.970		
						SA 479TYP.304		1			
	05	ROD D10 ; 500				15 024 130			0.310		
						SA 479TYP.304		2			
	04	PL.10 x 45 x 101 50 113				15 011 469			0.182		
						SA 167-TYP 309		2			
	03	PL.10 x 49 x 55 55				15 011 469			0.216		
						SA 167TYP 309		2			
	02	PL.10 x 120 x 245				15 011 469			1.300		
						SA 167TYP 309		3			
	01	PL.10 x 287 x 548				15 011 469			11.856		
						SA 167-TYP 309		2			

REV	DATE	ALTERED: NRN	REV	DATE	ALTERED: NRN
02	29/09/04	CHD&APPD: KRM.	01	18/5/99	CHD & APPD: R...
05		MATL SPECN SA167TYP309 WAS SA240TYP309 MATL CODE 15 011 469 WAS 15 011 100.			

CAUTION: The information on this drawing is the property of BHARAT HEAVY ELECTRICALS LTD. It must not be used directly or indirectly in any way detrimental to the interest of the company.

TYPE OF PRODUCT OR NAME OF CUSTOMER/PROJECT			
Bharat Heavy Electricals Ltd UNIT: HIGH PRESSURE BOILER PLANT TIRUCHIRAPALLI - 620014			
DRN	NAME	SIGNATURE	DATE
CHD	SIVA P	P. Siva P	31/12/97
APPD	R.S.R	R.S.R	31/12/97
APPD	P.R.R	P.R.R	31/12/97
DEPT	ALL DIMENSIONS ARE IN MM	PROJECTION	SCALE
CC			N.T.S
CODE	WEIGHT (Kg)	REF TO ASSY / OLD DWG	
129	31.998		
TITLE			DRAWING NO :
VEE BLOCK - CNTIP			2-45-220-00998 02
			REV