



BHEL Tender Enquiry No. B/4011/2023/2664/V1 for the requirement of EHA WITH SPARES for Mahan project on GeM Portal

LIST OF ENCLOSURES

	<u>Document</u>	<u>Number of pages</u>
1.	PRE-QUALIFICATION REQUIREMENT	04
2.	A BRIEF WRITE UP ON EHA FOR MAIN STEAM TURBINE VALVE	07
3.	BUYER SPECIFIC TERMS & COND SPECIAL CONDITIONS OF TENDER	10
4.	MADE IN INDIA DECLARATION FORMAT	01
5.	BHEL STANDARD PBG FORMAT	02
6.	FCA FORMAT	07
7.	INTEGRITY PACT	05
8.	General Terms and Conditions on GeM 4.0 (Version 1.11)	54
9.	BHEL QP NO QP/EHA Rev.00	02
	TOTAL PAGES	92

Sachin Gupta (Engineer/PPX-BOI)
Email: gupta.sachin@bhel.in
Ph. 01334-281690

Pankaj Kumar (Manager/ PPX-BOI)
Email: ssbgpankaj@bhel.in
Ph. 01334- 281690

Pre-qualification requirements (PQR) for "Electro-hydraulic actuators of Main Turbine valves"

Clause No.	Pre-Qualification Requirements	Vendor Response
1	The vendor should have the experience of Design, Manufacturing, Testing, Supply & Commissioning of Electro-hydraulic actuators of Main Turbine valves for Steam Turbine MW rating 660 MW (or above) with parameters listed below (a to c): a- Quick closing time (Trip time) of Electro-hydraulic actuators should be 170 Mili second (or less); b- Operational philosophy of Electro-hydraulic actuators should be "Oil pressure to open & Spring force to close"; c- Electro-hydraulic actuators should be operated from an independent Hydraulic power supply unit; The vendor to confirm.	
2	The vendor should also have the experience of Design, Manufacturing, Testing, Supply & Commissioning of Electro-hydraulic actuators of Main Turbine valves for Steam Turbines MW rating 250 MW (or above) with working pressure of control fluid inside Actuator 160 bar (or above). The vendor to confirm.	
3	The vendor to submit experience details of supplied Electro-hydraulic actuators as per Annexure-A (copy enclosed) complying the requirements mentioned at Sl. No. 1 & 2 above, for at least one power station having minimum one year of satisfactory running experience as on date of issuance of purchase enquiry.	
4	The vendor should have the in-house testing facilities for testing (like stroke test, timing test, hydraulic test etc.) of Electro-hydraulic actuators. The vendor to confirm. Also furnish the supporting documents.	
5	The vendor to furnish the following documents for our review for executed purchase orders referred against Sl. No.-3 above: a- Copy of Unpriced Purchase Order. The date of Purchase order shall not be older than 10 years from the date of issuance of BHEL purchase enquiry; b- Test reports of the Electro-hydraulic Actuators; c- Commissioning protocols of Electro-hydraulic Actuators at project site; d- Material acceptance certificate/ dispatch documents of Electro-hydraulic Actuators; e- Customer/End user certificate of min. one year of satisfactory operation of Electro-hydraulic Actuators. The date of issue of certificate shall not be older than 10 years from the date of issuance of BHEL purchase enquiry. For vendors who have supplied Electro-hydraulic actuators of Main Turbine valves (as per Sl. No.-1 & 2 above) earlier to BHEL, Haridwar may inform Purchase Order number only.	
6	A Joint Venture/ Subsidiary Company/ Sister Company/ Collaborator Company formed for manufacturing and supply of Electro-hydraulic actuators in India can also be considered, provided that it has a valid collaboration or licensing agreement with a qualified original equipment manufacturer (OEM) who meets the qualification requirements stipulated at Sl. No. 1, 2, 3 & 4 above. Valid collaboration /licensing agreement should be in existence before the date of issuance of purchase enquiry & shall be maintained for a lock-in period of Ten (10) years from the date of issuance of purchase enquiry. Vendor to submit supporting documents in this regard.	
7	In case the qualification is sought as per clause 6: a-The details of vendor shall be submitted as per Annexure-B & details of its collaborator (i.e. manufacturer of proven equipment as per clause-1, 2, 3 & 4) shall be submitted as per Annexure-A. b- The vendor should have established manufacturing and testing facilities at its works as per Collaborator/licensor's design, manufacturing and quality control system for such equipment duly certified by the Collaborator/licensor as on date of issuance of purchase enquiry. Evidence/Confirmation to be furnished from OEM. c- Collaborator/Licenser shall provide all design documents, manufacturing drawings and must provide technical and quality surveillance assistance and supervision during manufacturing, erection, testing & commissioning of equipment. Evidence/Confirmation to be furnished from OEM. Also Collaborator/licensor shall provide the required technical and service support during operation of Actuators, if needed. d- Collaborator/Licenser shall provide guarantee towards quality and workmanship of the product manufactured at India. Evidence/Confirmation to be furnished from OEM. e- Vendor to confirm to provide all design documents authored/vetted by its collaborator (who meets requirements mentioned at point 1, 2, 3 & 4 above) for review/approval by BHEL after placement of purchase order; f- Vendor to confirm that all major Casting, Forgings, Bought out items such as Solenoid valves, Servo valves etc. shall be procured from its Collaborator approved sub-vendor only. Collaborator approved sub vendor list is to be furnished to BHEL along with the offer.	

Signature of authorized signatory.....

Note:-

- Against vendor's replies, BHEL reserves the right to ask for more information/documents/clarifications. Vendor's offer shall not be considered if vendor fails to furnish the document/information/clarifications as mentioned above or vendor doesn't meet the above acceptance criteria.
- A brief Write up on **Electro-hydraulic actuators for main turbine valves** is also enclosed as Annexure VI.

Sr. Mgr. (STE-TG)

Laxmi
10/11/23

AGM (STE-TG, TB)

Batra
10/11/2023

AGM & Head (STE)

Kumar
10.11.23

Annexure – A

Sl. No.		BHEL PQR requirement	Vendor's response
1.	Name of the station and its Location		*
2.	Client name and its address, Fax no. & Tel. No.		*
3.	Name, designation, e-mail id & Mobile no. of the responsible person in client's organization		*
4.	Purchase order No. & Date		*
5.	Name plate rating in MW of individual Steam turbine unit		*
6.	Actual date of supply		*
7.	Date of Commissioning of Electro-hydraulic actuators		*
8.	Years of successful operation as on date of issuance of enquiry	1 years (Min.)	*
9.	Brief Scope of work		
10.	Designed by		*
11.	Manufactured by		*
12.	Working fluid (Mineral oil/Fire resistant fluid)		*
13.	Normal working pressure of control fluid		*
14.	Operation philosophy	Oil pressure to open & Spring force to close	*
15.	Spring type		
16.	EHA's for turbine valves :		
16.1	HP Stop valve actuator:		
a)	Actuator piston diameter		
b)	Piston rod diameter		
c)	Damping stroke		
d)	Total actuator stroke, including over stroke		
e)	Actuator opening time		
f)	Actuator closing time (Trip time)	≤ 170 ±10% ms	*
g)	Spring size & no. of springs		
h)	Model no & make of EHA open/close (Pilot) valve		
i)	Model no. & make of EHA solenoid trip valve		
16.2	HP control valve actuator:		
a)	Actuator piston diameter		
b)	Piston rod diameter		
c)	Damping stroke		
d)	Total actuator stroke, including over stroke		
e)	Actuator opening time		
f)	Actuator closing time (Trip time)	≤ 170 ± 10% ms	*
g)	Spring size & no. of springs		
h)	Model no. & make of EHA Servo valve		
i)	Make and model no. of EHA solenoid trip valves		
16.3	IP stop valve actuator:		
a)	Actuator piston diameter		
b)	Piston rod diameter		
c)	Damping stroke		
d)	Total actuator stroke, including over stroke		
e)	Actuator opening time		
f)	Actuator closing time (Trip time)	≤ 170 ±10% ms	*
g)	Spring size & no. of springs		
h)	Model no & make of EHA open/close (Pilot) valve		
i)	Model no. & make of EHA solenoid trip valve		

Lakshmi

16.4	IP control valve actuator:		
a)	Actuator piston diameter		
b)	Piston rod diameter		
c)	Damping stroke		
d)	Total actuator stroke, including over stroke		
e)	Actuator opening time		
f)	Actuator closing time (Trip time)	$\leq 170 \pm 10\% \text{ ms}$	*
g)	Spring size & no. of springs		
h)	Model no. & make of EHA Servo valve		
i)	Make and model no. of EHA solenoid trip valves		
16.5	Overload control valve actuator (if applicable):		
a)	Actuator piston diameter		
b)	Piston rod diameter		
c)	Damping stroke		
d)	Total actuator stroke, including over stroke		
e)	Actuator opening time		
f)	Actuator closing time (Trip time)	$\leq 170 \pm 10\% \text{ ms}$	*
g)	Spring size & no. of springs		
h)	Model no. & make of EHA Servo valve		
i)	Make and model no. of EHA solenoid trip valves		

Note:

(i)- Vendor to fill the applicable data in the format given above.

(ii)- Further the data marked as * are to be **mandatorily** filled by the vendor.

Lehmi

Annexure-B

Detail of Indian JV /subsidiary company/ Sister Company/Collaborator Company proposed for manufacturing of Electro-hydraulic actuators as per clause no. 6 of Pre-qualification requirement			
SL. NO.	Item Description	BHEL Requirement	Applicable data
1	Name and address with telephone no. of the Indian JV /subsidiary company/ Sister Company/Collaborator Company proposed for manufacturing of Electro-hydraulic actuators .		
2	Name and address with telephone no. of the promoter of JV /subsidiary company/ Sister Company/Collaborator Company, who meets the requirement of clause 1,2,3&4 of Pre-qualification requirement.		
3	% of the equity held by the promoter(s).		
4	Collaboration /licensing agreement lock in period	Ten (10) years from the date of issuance of purchase enquiry	
5	M/s. (JV/subsidiary company/Sister Company/Collaborator Company) has a collaboration or valid licensing agreement with M/s..... (Promoter company) for design, Engineering, manufacturing & supply of Electro-hydraulic actuators .	The vendor to furnish valid collaboration/licensing agreement which should be in existence before the date of issuance of purchase enquiry & shall be maintained for a lock-in period of Ten (10) years from the date of date of issuance of purchase enquiry.	
6	The vendor to furnish commitment for lock in period as per requirement.	Confirmation to be provided by the vendor	

The vendor to submit documentary evidence in support of above requirements.

Signature of authorized signatory.....

Laxmi



A BRIEF WRITE UP ON ELECTRO-HYDRAULIC ACTUATORS FOR MAIN STEAM VALVES FOR 660/800 MW RATING STEAM TURBINE SETS

Status:	Released
Protection class:	Confidential

Rev.	Date	Issue resp./ Modification	Office	Prepared by	Reviewed by
00	27.08.2016	First issue	STE, CIE	Lakhmi Singh (STE-TG) Nitin (CIE)	Rajeev Rawat (STE-TG) Sheetal Singh (CIE)

BHEL HARIDWAR

Transmittal, reproduction, dissemination and/or editing of this document as well as utilization of its contents and communication thereof to others without express authorization are prohibited. Offenders will be held liable for payment of damages. All rights created by patent grant or registration of a utility model or design patent are reserved.



A BRIEF WRITE UP ON ELECTRO-HYDRAULIC ACTUATORS FOR MAIN STEAM VALVES FOR 660/800 MW RATING STEAM TURBINE SETS

1 INTRODUCTION:

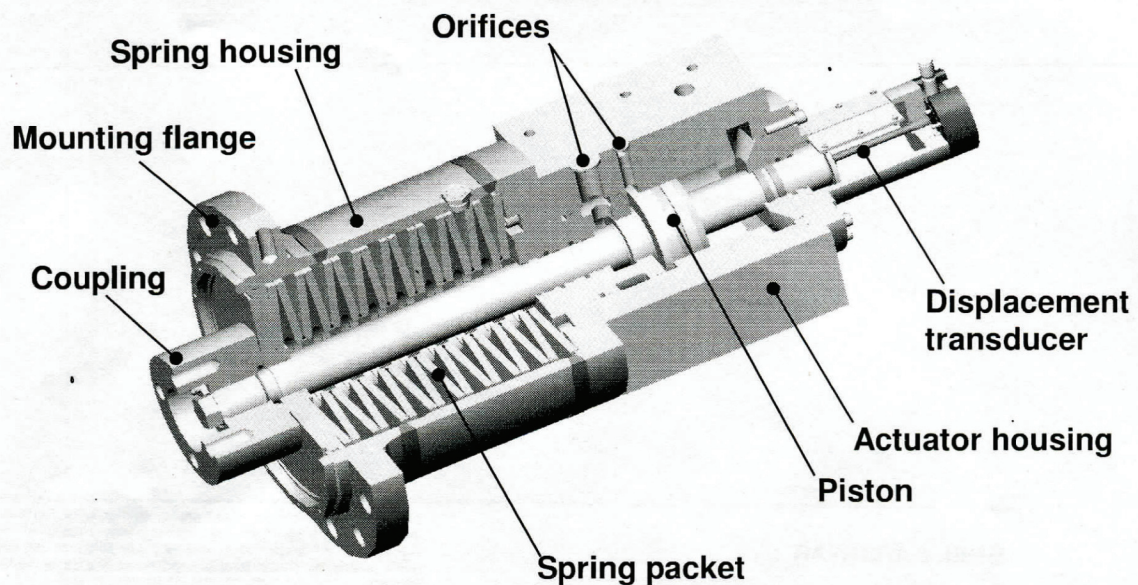
The steam turbine output is controlled by adjusting steam mass flow rate by turbine valves. **There are total 9 nos. turbine valves viz. 2 nos. HP stop valves, 2 nos. HP control valves, 2 nos. IP stop valves, 2 nos. IP control valves and 1 no. overload control valve.** These turbine valves are hydraulically actuated. In the case of a turbine trip, turbine valves interrupt the steam flow into the turbine instantly.

There is dedicated Electro-hydraulic actuator for each turbine stop and control valve. Hence **total 9 nos. actuators are envisaged.** All the actuators are operated with 160 bar high pressure fire resistant fluid supplied from centralized Hydraulic Power Supply Unit (HPSU).

Electro-hydraulic actuators mainly consists of Hydraulic pistons, Disc spring, Servo valves, Pilot valve, Trip solenoid valve, Cartridge valve, Check valves, Filter etc. Servo valve/Pilot valve transmit the electrical input signal of the turbine controller output into a hydraulic signal and amplify it, guide the control fluid flow to the hydraulic actuators so that the required steam flow rate can be regulated/stopped.

Cartridge valves mounted on the control blocks of actuators assemblies takes care that hydraulic actuators can close the steam valves within a very short time.

A typical cross section drg. of actuator is shown below.





A BRIEF WRITE UP ON ELECTRO-HYDRAULIC ACTUATORS FOR MAIN STEAM VALVES FOR 660/800 MW RATING STEAM TURBINE SETS

2 STOP VALVE ACTUATOR (HP, IP):

The stop valve actuator is an Electro-Hydraulic Actuator with control fluid supply from HPSU. The actuator comprises an operating cylinder, control unit & valve position transmitter to monitor the opening and closing of the actuator/valve. Turbine stop valve is coupled with control piston of power cylinder. The control piston which is pressure loaded in opening direction and pressure relieved on the opposite side, moves in power cylinder. The closing force is supplied to the control piston by a cup – spring stack housed inside the actuator. The actuator is connected to the HPSU through control fluid supply and return lines. A filter along with D.P. switch is fitted in pressure line (upstream side) to prevent ingress of contamination from the pipe lines. A terminal box is also provided for wiring purpose.

2.1 CONTROL UNIT (MANIFOLD):

The control unit is mounted on the power cylinder and comprises of the Pilot valve, Trip solenoid valves, cartridge valves, check valves and orifices. All these control elements are connected via a control plate to the power cylinder through internal fluid ducts.

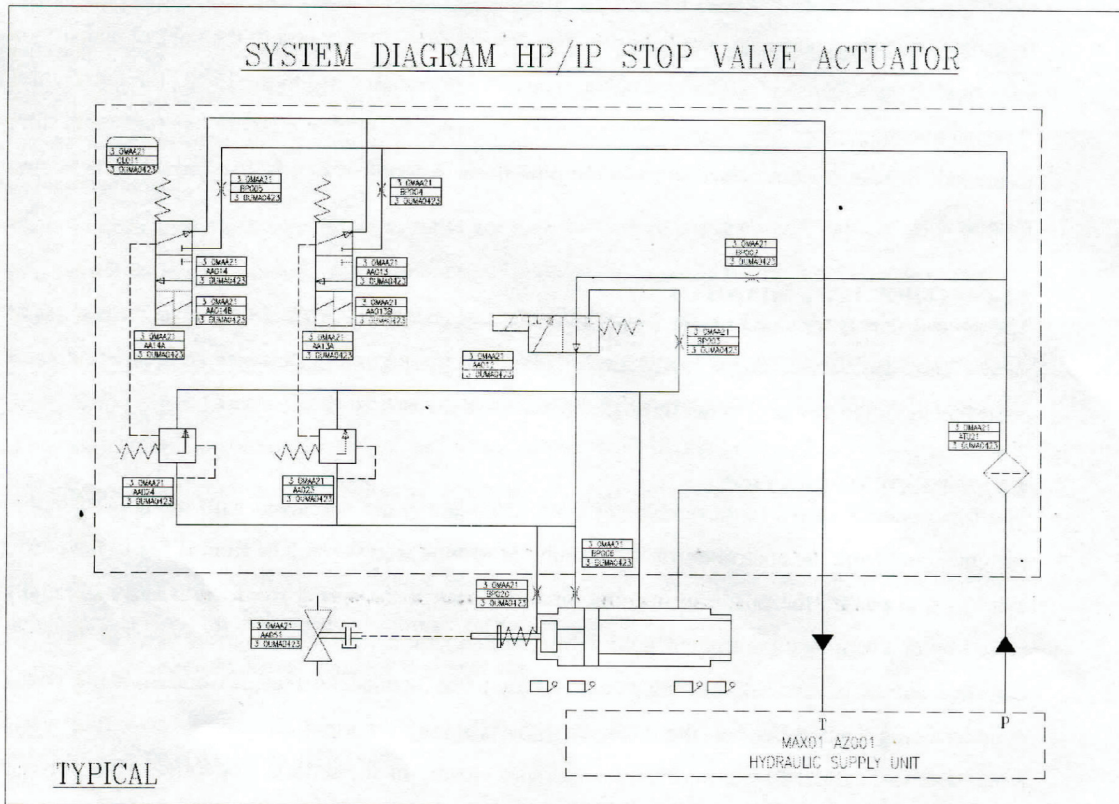
2.2 MODE OF OPERATION:

The trip solenoid valves (with double coils for redundancy) are energized with the help of output current signal from the controller for the opening of turbine stop valve. The fluid is fed to the power cylinder and pushes the piston in opening direction against the spring force. Stop valve is rapidly closed by de-energizing the trip solenoid valves, in that case the pressure over the discs of the logic cartridge valves is reduced, causing these valves to be opened by the pressure from the power cylinder being applied beneath the discs, thereby initiating the rapid closure of valve. Pilot valve remains in de-energized state during opening/rapid closing of the turbine stop valve. Pilot valve is energized only in case of normal closing of the turbine stop valves, keeping trip solenoid valves in energized state. The flow of oil to the actuator is realized through orifices. The sizing of these orifices is done based on the closing time of actuator. A leakage sensor is also provided in the leakage tray of actuator. It gives the signal to control room in case of leakage through actuator.

POSITION MONITORING:- 2 no. Position Transmitters and Limit Switches for Open and Close position of the valve are provided in each actuator.



A BRIEF WRITE UP ON ELECTRO-HYDRAULIC ACTUATORS FOR MAIN STEAM VALVES FOR 660/800 MW RATING STEAM TURBINE SETS





A BRIEF WRITE UP ON ELECTRO-HYDRAULIC ACTUATORS FOR MAIN STEAM VALVES FOR 660/800 MW RATING STEAM TURBINE SETS

3 CONTROL VALVE ACTUATOR:

The control valve actuator is an Electro-Hydraulic Actuator with control fluid supply from HPSU. The actuator comprises an operating cylinder, control unit and valve position transmitters. Turbine control valve is coupled with the control piston of power cylinder. The control piston which is pressure loaded in opening direction and pressure relieved on the opposite side, moves in power cylinder. The closing force is supplied to the control piston by a cup – spring stack housed inside the actuator. The actuator is connected to the HPSU through control fluid supply and return lines. A filter along with D.P. switch is fitted in pressure line (upstream side) to prevent ingress of contamination from the pipe lines. A terminal box is also provided for wiring purpose.

3.1 CONTROL UNIT (MANIFOLD):

The control unit comprises of servo valve, trip solenoid valves, cartridge valves, check valves and orifices. In addition a filter along with D.P. switch is also fitted to the pilot control of servo-valve. All these control elements are connected via a control plate to the power cylinder through internal fluid ducts.

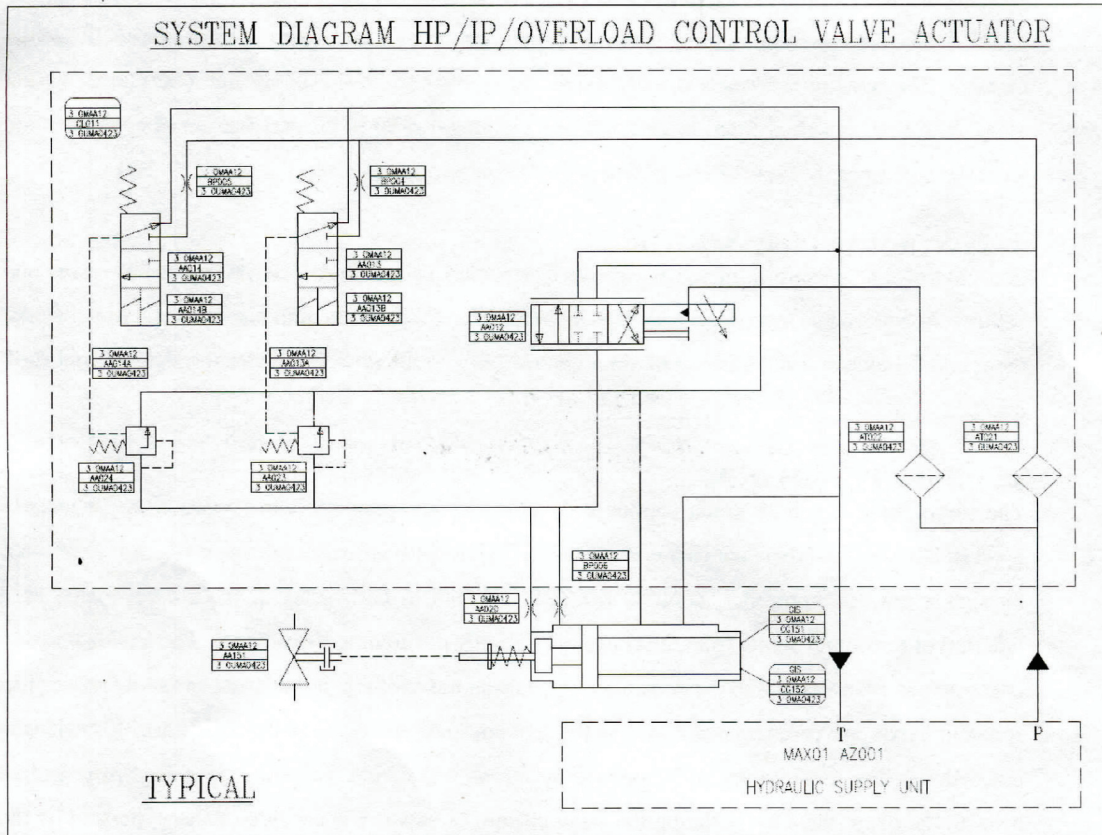
3.2 MODE OF OPERATION:

The servo valve is a high grade continuously operating directional control valve with particularly good steady state and dynamic characteristics and high amplification. Servo valve which is controlled through a position controller, controls the flow of fluid to both sides of the control piston as a function of the output signal from the controller, thereby positioning the actuator. The analog position of the actuator is feedback to the controller by position transmitters. In the event of rapid closure, trip solenoid valves are de-energized and thus the pressure over the discs of the logic cartridge valves is reduced, causing these valves to be opened by the pressure from the power cylinder being applied beneath the discs, there by initiating the rapid closure of valve. The cartridge valves operated by the trip solenoid valves (with double coils for redundancy) are opened with minimum travel time and the piston chamber is connected to the drain. The flow of oil to the actuator is realized through orifices. The sizing of these orifices is done based on the closing time of actuators. A leakage sensor is also provided in the leakage tray of actuator. It gives the signal to control room in case of leakage through actuator.

POSITION MONITORING:- 2 no. Position Transmitters are provided in each actuator.



A BRIEF WRITE UP ON ELECTRO-HYDRAULIC ACTUATORS FOR MAIN STEAM VALVES FOR 660/800 MW RATING STEAM TURBINE SETS





A BRIEF WRITE UP ON ELECTRO-HYDRAULIC ACTUATORS FOR MAIN STEAM VALVES FOR 660/800 MW RATING STEAM TURBINE SETS

4 SCOPE OF SUPPLY PER TG SET:

Sl. No.	Item description	Quantity per TG set
4.1	ELECTRO-HYDRAULIC ACTUATORS:	
4.1.1	STOP VALVE ACTUATORS WITH COMPLETE CONTROL BLOCKS (TYPE: SVA-250-98-352) FOR HP STOP VALVES (HORIZONTALLY MOUNTED VALVE)	2 NOS. (ARRANGEMENTS WILL IN MIRROR IMAGE)
4.1.2	CONTROL VALVE ACTUATORS WITH COMPLETE CONTROL BLOCKS (TYPE: CVA-200-80-347) FOR HP CONTROL VALVES (HORIZONTALLY MOUNTED VALVE)	2 NOS. (ARRANGEMENTS WILL IN MIRROR IMAGE)
4.1.3	STOP VALVE ACTUATORS WITH COMPLETE CONTROL BLOCKS (TYPE: SVA-560-208-92) FOR IP STOP VALVES (VERTICALLY MOUNTED VALVE)	2 NOS. (ARRANGEMENTS WILL IN MIRROR IMAGE)
4.1.4	CONTROL VALVE ACTUATORS WITH COMPLETE CONTROL BLOCKS (TYPE: CVA-500-170-104) FOR IP CONTROL VALVES (HORIZONTALLY MOUNTED VALVE)	2 NOS. (ARRANGEMENTS WILL IN MIRROR IMAGE)
4.1.5	CONTROL VALVE ACTUATOR WITH COMPLETE CONTROL BLOCK (TYPE: CVA-125-50-324) FOR OVERLOAD CONTROL VALVE (HORIZONTALLY SUSPENDED VALVE);	1 No.
4.2	SPECIAL TOOLS AND TACKLES FOR ASSLY & DIS-ASSLY. FOR ACTUATORS	1 SET
4.3	COMMISSIONING SPARES	1 SET
4.4	TRAINING & SUPERVISION DURING ERECTION & COMMISSIONING AT SITE:	REQUIRED FOR EACH SET

BUYERS SPECIFIC ADDITIONAL TERMS & CONDITIONS
ITEM NAME: Electro Hydraulic Actuator of Turbine Valves with its spares
PROJECTS: PROJECTS: 2X800 MAHAN MW M.P.

1. SCOPE OF ENQUIRY:

E-bids on GeM portal are invited from bidders for the supply of **Electro Hydraulic Actuator of Turbine Valves with its spares** for **2X660 MW NTPC TALCHER PROJECT** as per requirement mentioned below:

Sl. No.	Material Code & Item Description	Total Quantity	LOT Quantity & Delivery schedule
1	W90311400230 DRG: 31140030600 VAR00 REV: 00 ELECTRO HYDAULIC ACTUATORS (EHA) FOR MAIN TURBINE VALVES	02 SETS.	Lot-1: 01 ST, 19.07.2025 (Mahan unit-1) Lot-2:, 01 ST, 19.11.2025 (Mahan unit-2)
2	W90311400140 DRG: 41140056502 VAR00 REV: 02 COMMISSIONING SPARE PARTS FOR ELECTRO HYDRAULIC ACTUATORS	01 SET.	01 ST, 19.07.2025 (Mahan unit-1)
3	W99311401170 DRG: 31140030612 REV: 00 MANDATORY SPARES FOR EHA OF	01 SET.	01 ST-, 19.01.2026 (Mahan mandatory spares)

2. Project Detail:

Project Name	ITEMS TO BE DISPATCHED DIRECTLY TO 2X800 MW USCTPP MAHAN (PH-II), SINGRAULI, MP
Consignee Address	Mahan Energen Limited. 2x800 MW (Phase-II) Thermal Power Project Village: Bandhaura, Karsulal Tehsil: Waidhan, District. Singrauli-486886 (Madhya Pradesh)

3. 3. EARNEST MONEY DEPOSIT (EMD):

All interested vendors must submit their e-bid along with the proof of submission of following Earnest Money Deposit (EMD) details in GeM portal along with offer EMD is applicable to all the bidders irrespective of PMD bidders/GeM provisions.

Details	Amount In INR	Type
EMD	INR 6,00,000/- (Six lakhs only)	Refundable

3.1: Modes of deposit: The EMD may be accepted only in the following forms:

- (i) Electronic Fund Transfer credited in BHEL account (before tender opening).
- (ii) Banker's cheque/ Pay order/ Demand draft, in favour of BHEL (along with offer).
- (iii) Fixed Deposit Receipt (FDR).
- (iv) Bank Guarantee from any of the Scheduled Banks.
- (v) Insurance Surety Bonds.

(vi) The EMD shall remain valid for a period of 45 (forty-five) days beyond the final bid validity period as

asked in NIT.

For E-Payment, the RTGS details are as mentioned below:

Bank Details	SWIFT Details of bank	Contact Details of Banker
STATE BANK OF INDIA RANIPUR BRANCH, OPP: BHEL MAIN GATE, SECTOR-5, RANIPUR, HARIDWAR, UTTRAKHAND, INDIA PIN CODE: 249403	SWIFT NO : SBININBB225 CC ACCOUNT NO : 10667995458 IFSC CODE : SBIN0000586	Contact No. +91 1334 224201 +91 1334 226125 Fax: +91 1334 226512

3.2: Forfeiture of EMD:

- a. A bidder's EMD will be forfeited if the bidder withdraws or amends its/his tender or impairs or derogates from the tender in any respect within the period of validity of the tender or if the successful bidder fails to furnish the required performance security within the specified period mentioned in the Tender.
- b. EMD by the tenderer to be withheld in case any action on the bidder is envisaged under the provisions of extant "Guidelines on Suspension of business dealings with suppliers/ contractors" and forfeited/ released based on the action as determined under these guidelines.
- c. Bid securities of the unsuccessful bidders shall be returned to them after expiry of the final bid validity period / latest by the 30th day after the award of the contract. Since it is a two-part bidding, bid securities of unsuccessful bidders during first stage i.e. technical evaluation shall be returned within 30 days of declaration of result of first stage i.e. technical evaluation.
- d. Micro and Small Enterprises (MSEs) or Start-ups as recognized by Department for Promotion of Industry and Internal Trade (DPIIT) are exempted for submission of EMD.
- e. Bid security/EMD of the successful bidder shall be returned only on conclusion of the order and receipt of a Performance Security/Performance Bank Guarantee of 10% of contract value (excluding taxes) from contractor / Supplier.
- f. EMD/PBG/PS shall not carry any interest.

4. PERFORMANCE SECURITY/PERFORMANCE BANK GUARANTEE:

Successful bidder to submit Performance Security/Performance Bank Guarantee of 10% of the contract Value (Excluding Taxes). The Performance Security/PBG shall be submitted within 30 days of notification of the award of Contract and it should remain valid for a period of 60 (sixty) days beyond the date of completion of all contractual obligations of the supplier, including warranty obligations.

PS/PBG shall be returned to the contractor without interest, after the contractor duly performs and completes the contract in all respects but not later than 60 (sixty) days of completion of all such obligations including the warranty under the contract. The Performance Security/PBG shall not carry any interest.

4.1 Modes of deposit of PS/ PBG: Performance Security/Performance Bank Guarantee shall be furnished in the following forms:

- I. Local cheques of Scheduled Banks (subject to realization)/ Pay Order/Demand Draft/ Electronic Fund Transfer in favour of BHEL.
- II. Bank Guarantee from Scheduled Banks / Public Financial Institutions as defined in the Companies Act. The Bank Guarantee format should have the approval of BHEL.
- III. Fixed Deposit Receipt issued by Scheduled Banks / Public Financial Institutions as defined in the Companies Act (FDR should be in the name of the Contractor, a/c BHEL).

- IV. Securities available from Indian Post offices such as National Savings Certificates, Kisan Vikas Patras etc. (held in the name of Contractor furnishing the security and duly endorsed/ hypothecated/ pledged, as applicable, in favour of BHEL).
- V. Insurance Surety Bond.

(Note: BHEL will not be liable or responsible in any manner for the collection of interest or renewal of the documents or in any other matter connected therewith)

4.2: Forfeiture of Performance Security/Performance Bank Guarantee:

The Performance Security/ Performance Bank Guarantee will be forfeited and credited to BHEL's account in the event of a breach of contract by the supplier.

5. BUYERS SPECIFIC ADDITIONAL TERMS & CONDITIONS IN ADDITION TO GTC

Sl. No.	Terms	Description	Supplier confirmation
1.	Documents Checklist:	<p>Please submit signed and stamped copy of your offer on each page along with following documents;</p> <ul style="list-style-type: none"> • Buyer Specific T&C. • Technical PQR & its supportive document. • Technical drawing & purchase specification. • Quality plan. • Certificate/self-certification for minimum local content as per PPP-MII order. • Replica of price bid schedule without prices with part-I offer. <p>Please note that technical documents shall be shared against submission of FCA (FCA copy enclosed) .</p>	
2.	Compliance of GTC on GeM	General Terms and Conditions on GeM 4.0 (Version 1.11) Dt. dt 21.06.2023 or it's latest revision of GeM portal shall be applicable against this enquiry. Kindly confirm that the same is acceptable to you for this tender.	
3.	Pre-Qualification Requirements	The Pre-Qualification Requirements have been compiled. All the bidders should ensure submission of complete details and documents as called for in these requirements. The Offers submitted by the bidders would be scrutinized with respect to Pre-Qualification Requirements first. Techno-Commercial offer of only those bidders shall be evaluated who meet the Pre-Qualification Requirements.	
4.	Customer approval requirement	<p>End User approval is mandatory requirement for considering your offer in this tender. Kindly submit your credentials with all supporting documents along with your offer for take up your approval with End User.</p> <p>Price bid of the offer of only those bidders who will be approved by the End User will be considered for price bid opening.</p>	
5.	Make in India Clause	<p>"For this procurement, the local content to categorize a supplier as a Class-I Local Supplier / Class-II Local Supplier/ Non-Local Supplier and purchase preference to Class-I Local Supplier, is as defined in Public Procurement (Preference to Make in India), Order-2017 Ref. No. P-45021/2/2017-PP (BE-II) dtd. 04/06/2020 issued by DPIIT. In case of subsequent orders issued, by the nodal ministry, changing the definition of local content for the items of this NIT, but before opening of Part-II bids against this NIT</p> <p>As per Make in India Order, only Class-1 and Class-2 local supplies are eligible to</p>	

		bid in this tender enquiry. For this eligibility criteria, bidders are required to submit certificate of Minimum local content as specified in attached Make In India Declaration format.									
6.	Compliance of Rule 144 (xi) of GFR 2017	Compliance of Restrictions under Rule 144 (xi) of GFR 2017 shall be as per GeM.									
7.	Bid validity/ Validity of offer	Please note that validity of the offer shall be 180 days from the date opening of Techno-Commercial bid (Part-I bid) on GeM portal. Offer of bidder's having validity less than 180 days shall liable to reject. Please confirm. The required validity is considering that offer is complete & clear w.r.t. PQR and all techno-commercial conditions. Vendors need to extend their offer validity for the time taken by them in responding BHEL's comments/clarification sought during techno-commercial scrutiny of the offer. In case regret by any bidder for such validity extension, their offer shall liable to be reject. Please confirm.									
8.	Prices/Basis of Quotation	Prices: The offered prices of the items shall remain firm and fixed at any point of time and shall be indicated in INR for each accounting unit. Ensure to quote your price inclusive of Freight & GST for Total quantity on GeM portal. Transit Insurance would be arranged by BHEL. Please quote your prices accordingly. The prices are to be quoted on Ex-Works with freight Pre-paid up to project destination basis. The goods must be dispatched through any Bank approved transporters having their branch at Haridwar. The names and addresses of transporters approved by IBA as well as BHEL are posted at our website www.bhelhwr.co.in. Please note that, if you dispatch the material by any BHEL un-approved transporter then you will necessarily be required to furnish the MRC (Material Receipt Certificate) from respective Project Site for processing of your invoice. No demurrage charges would be borne by BHEL.									
9.	Evaluation criteria	Evaluation shall be done project wise on total landed cost upto respective BHEL Project Site considering all material codes and services together.									
10.	Evaluation Currency	The evaluation currency for this tender shall be INR.									
11.	Payment terms:	The payment term shall be done after issue of consignee receipt-cum acceptance certificate (CRAC) as per the below details: <table border="1" data-bbox="370 1499 1242 1671"> <thead> <tr> <th>Type of Bidder</th> <th>Payment Terms (Number of Days)</th> </tr> </thead> <tbody> <tr> <td>Micro & Small Enterprises (MSEs)</td> <td>45 days</td> </tr> <tr> <td>Medium Enterprises</td> <td>60 days</td> </tr> <tr> <td>Non MSME</td> <td>90 days</td> </tr> </tbody> </table> Subject to submission of non-discrepant documents.	Type of Bidder	Payment Terms (Number of Days)	Micro & Small Enterprises (MSEs)	45 days	Medium Enterprises	60 days	Non MSME	90 days	
Type of Bidder	Payment Terms (Number of Days)										
Micro & Small Enterprises (MSEs)	45 days										
Medium Enterprises	60 days										
Non MSME	90 days										
12.	GeM charges	GeM charges if any shall be either side only i.e. buyer's GeM charges shall be in buyer's account and seller's GeM charges shall be on seller's account. Please confirm.									
13.	Contract execution	Bidder's are advised to read GeM related query & clarification carefully on GeM portal. Order shall be executed through GeM.									

14.	Delivery Period	Please quote your lot wise delivery completion period in line with BHEL project site requirement as mentioned in para "1" of this ATC in number of weeks/months from the date of Purchase Order.	
		For Mandatory spares (material code W99311401170)- Delivery mentioned in enquiry is indicative delivery. Actual delivery shall be taken up BHEL as per site requirement and clearance from customer, please confirm.	
15.	Technical Requirement for Mahan Project:	The offer shall be sent complete in all respect along with all the relevant documents as mentioned against clause 9 of BHEL drg. no. 1-11400-30510 1-11400-30520, 1-11400-56511, 1-11400-30540 & 1-11400-56512, kindly confirm.	
		Kindly confirm to provide 3D MODELS for supplied equipment assemblies (having all the components included) complete with all connection points/interfaces for the purpose of 3d power plant layout to be done by BHEL as per customer specification requirements. the file format of 3D model shall be informed by BHEL and the same shall be subject to customer approval.	
		Kindly offer the make/model of servo valves as per BHEL specification. In case, supplier offer equivalent make/model, the same to be got approved from Siemens Germany else the equivalent offered servo valve should be proven one and should also have minimum 3 years of satisfactory running experience in steam turbine of mw rating 660 or above all the supporting documents along with end user certificate to be furnished by the vendor in support of satisfactory running experience.	
		Pl note that training program at site for 2 days shall be provided by the vendor regarding design/construction features, operation & maintenance of the supplied equipment (including C&I) to customer / BHEL Engineers.	
		The document no. " CIE-EHA-G7 (PURCHASE SPECIFICATION FOR CIE FOR ELCTRO HYDRAULIC ACTUATORS FOR MAIN TURBINE VALVES)" is part of BHEL purchase specification and shall be complied by the vendor., kindly confirm.	
		EHA documents submitted by vendor for BHEL'S approval shall also be subject to customer's approval. therefore, timely submission of the complete set of EHA documents must be ensured by the vendor.	
		Spec ST22009, wherever called in the BHEL specification drawing to be read as ST22007.	
		In case of any conflict between stipulations in various portion of the specification, most stringent stipulation would be applicable for implementation by the vendor without any cost or delivery implication to BHEL. PL confirm.	
		Deviation, if any, whether major or minor, should be brought out very clearly on deviation sheet along with the offer. In the absence of any deviation, the offer shall be deemed to be in full conformity with the specification. Hidden deviation in the offer shall not be acceptable or binding on BHEL. PL note & confirm.	
		THE NOISE LEVEL SHALL BE LESS THAN 85 DBA AT A DISTANCE 1.0 METER FROM THE SHELL OF EQUIPMENT.	
		Functional testing of actuators shall be done only with phosphate ester based FRF TRIXYLENYL PHOSPHATE (TXP) having cas no. 25155-23-1 as per BHEL specification ST22007	
		Drawings/Data sheets/documents & Quality plan as called for in the specifications/Drawings/Documents shall be submitted for approval to BHEL for BHEL/customer approval within 30 days of purchase order. Any delay in delivery on account of late submission of drawings shall be to vendors account. BHEL will arrange the approval of the drawings/data sheets/ documents within 30 days of their receipt provided those are complete in all respect. Any delay in documents submission/approval shall be on either side.	

		<p>Documents required after order placement: Kindly confirm that in the event of ordering, you will furnish all the documents as per BHEL DRG NO 31140056501 (MDL) complying time schedule mentioned therein. for BHEL review and approval</p>	
16.	Recommended Spares	Please submit item wise price list of each item referred in BHEL Drawing no 2-11400-56510 (Recommended Spare Parts) for Mahan Project .These prices shall be used for our reference and future ordering (if required) and not to be considered for Evaluation.	
17.	Supervision during Erection & Commissioning and Training	<ul style="list-style-type: none"> Kindly note that the vendor shall carry out supervision work during Erection & Commissioning of the equipment. Since there are substantial interfaces of EHA with HPSU, therefore vendor shall carry out their supervision work at site to ensure satisfactory commissioning of all EHA's along with associated HPSU. Kindly quote the lumpsum price of the same in your offer. A period of total 12 man-days has been envisaged for supervision during erection & commissioning for 2 units of Mahan set & 02 mandays for training (once for project). Kindly note that training program at site for 2 (Two) days (Once for Total Project) shall be provided by the vendor regarding design/ construction features, operation & maintenance of the supplied equipment's (Including C&I) to customer/ BHEL Engineers. <p>Please ensure that "Per Man Day" & "Per Visit" charges for Supervision during Erection & Commissioning and Training including every expense are quoted. For evaluation total 14 Mondays and 03 visits charges shall be considered for commissioning and training. However payment will be made on actual number of days and visits involved in supervision of erection/ commissioning and training.</p>	
		Please note that the vendor should send a checklist to BHEL prior to deputation of competent representative for Commissioning. BHEL will confirm the checklist prior to issuing Commissioning Call to the vendor. After receipt of checklist from BHEL, the vendor would send the competent representative within 15 days of confirmation of site readiness. <u>In case, any additional work is required which is beyond the scope/warranty/guarantee of the vendor, the work would be commenced only after signed agreements with site representative & the vendor.</u>	
		Please confirm that the charges quoted for Supervision during Erection & Commissioning and Training shall be inclusive of applicable GST .	
18.	SPECIAL INSTRUCTION	<p>Please note that as per BHEL's Policy, we cannot allow Price impact for the requirement / scope of supply, which is a part of specifications of our tender enquiry. Hence please read all specification / documents thoroughly and submit your offer as per specifications of tender enquiry.</p> <p>In case of any confusion / un-clarity on any of the clause / requirement of specification, please clarify the same from BHEL before submission of offer.</p> <p>No deviation & request regarding un-clarity / contradictory conditions / ambiguity of specifications would be entertained after opening of techno-commercial offers. Further no price impact would be allowed for the requirement which is already part of the specifications of the tender enquiry, after opening of techno-commercial offers.</p> <p>Please note and confirm.</p>	
19.	Packing and	A -Kindly confirm the following packing requirements;	

	Storage	<ul style="list-style-type: none"> All the equipments/items shall be supplied in closed steel boxes/closed wooden boxes with steel cover sheet. packing boxes should be rain proof. Kindly confirm. Packaging of item should be done in such a way that it should not require any internal package inspection for at least one year. All the equipment /items shall be dispatched in seaworthy packing as per packing instruction document no. HW0232898. STORAGE & HANDLING INSTRUCTIONS of the equipment shall be furnished by the vendor separately and 2 copies of the same shall be supplied to site along with main equipment. <p>B-ADDITIONAL PACKING REQUIREMENTS FOR SPARES: 1- ALL spare items shall be packed for 5 year preservation. small spare items shall be packed & sealed in transparent plastic bags and drying agents shall be used. 2- ALL packing box shall be marked properly & numbered clearly. 3- Packing box of mandatory spares shall be painted with green color for easy identification at project sites.</p>	
20.	Painting requirement	All the equipment & items shall be painted with coating system c4 as per painting specification as indicated in annexure 1 (technical spec. for painting & coating of equipment & structure). total paint DFT 225 MICRON MIN. Kindly confirm. The vendor to also supply the Touch-up paint (5 % of total finish coat quantity) along with the main Equipment supply”.	
21.	Special Instructions:-	<p>For Mahan Projects: -</p> <ol style="list-style-type: none"> 8 DIGIT GST HSN code of item to be provided & same is required to mentioned in PO for MAHAN PROJECT. Documents (GR/LR, packing list, test certificates) are required in original. Material is to be dispatched on door delivery basis 	
22.	Liquidated Damages (LD) for late delivery	<p>Liquidated Damages for late delivery w.r.t to contractual delivery shall be applicable @ 0.5% of the “lot-wise total order value”(i.e. BASIC Material Value) per week of delay or part thereof subject to a maximum of 10% of the “lot-wise total order value”. ”(i.e. BASIC Material Value) . Kindly confirm.</p> <p>The date of LR//GR would be treated as the date of delivery for penalty purposes.</p>	
23.	MDCC clause	<p>Please note that, material shall be dispatched only after issue of Material dispatch clearance certificate (MDCC) end customer. For issue of MDCC, vendors are required to submit all test certificates (TC) and inspection report of third party (IR) to BHEL. After review & acceptance of the quality document, BHEL will forward the same to end customer for issuance of MDCC.</p> <p>After receipt of complete quality documents / TCs, minimum 7 days would be required by BHEL for issuance of MDCC. Material shall be dispatched within 7 days from the the date of issuance of MDCC.</p>	
24.	Force Majeure	<p>Notwithstanding any other thing contained anywhere else in the contract or PO (Purchase Order), In case the discharge of obligation under the contract by either party is impeded or made unreasonably onerous, neither party shall be considered in breach of the contract to the extent that performance of their respective obligation is prevented by an event of Force Majeure that arises after the effective date (PO date).</p> <p>In the above clause, Force Majeure means an event beyond the control of the parties to the contract which prevents a party from complying with any obligation of the contract including but not limited to:</p> <p>a) Act of God (Such as but not limited to earthquake, drought, tidal waves, floods</p>	

		<p>etc.).</p> <p>b) War (whether war be declared or not), Hostilities Invasion, Act of foreign enemy etc.</p> <p>c) Rebellion, revolution, insurrection, civil war etc.</p> <p>d) Contamination of Radio Activity from any nuclear fuel or from any other nuclear waste or any other hazardous materials.</p> <p>e) Riots, commotions, strike unless restricted to the employees of supplier.</p> <p>f) Acts of terrorism.</p> <p>Other unforeseeable circumstances beyond the control of the parties and which the affected party cannot avoid even by using its best efforts.</p> <p>h) Cancellation of contract by customer.</p> <p>i) Change in law / government. Regulation making the performance impossible.</p> <p>j) Pandemic or Epidemic.</p> <p>The party claiming to be affected by force majeure shall notify the other party in writing immediately without delay on the intervention and on the cessation of such circumstances.</p> <p>Irrespective of any extension of time, if an event of force majeure occurs and its effect continues for more than 180 days the affected party shall have right to cancel the contract.</p> <p>As soon as reasonably practicable following the date of commencement of a Force Majeure Event, and within a reasonable time following the date of termination of a Force Majeure Event, either Party invoking it shall submit to the other Party reasonable proof of the nature of the Force Majeure Event and of its effect upon the performance of the Party's obligations under this Agreement.</p> <p>The party shall, and shall ensure that its Subcontractors shall, at all times take all reasonable steps within their respective powers and consistent with Good Operating Practices (but without incurring unreasonable additional costs) to:</p> <p>a) Prevent Force Majeure Events affecting the performance of the party's obligations under this Agreement.</p> <p>b) mitigate the effect of any Force Majeure Event and</p> <p>c) Comply with its obligations under this Agreement.</p> <p>If the war like situation has developed in a country where a seller's works is located in this P.O. or there is political instability and Indian Embassy located in that country forbids or advises for not having any business dealing with the sellers located in such zone / region/ country, then BHEL reserves the right to cancel the order.</p>	
25.	Action against Bidders / vendor / supplier / contractor in case of default:	<p>In order to protect the commercial interests of BHEL, BHEL shall take action against supplies / contractors by way of suspension of business dealings, who either fail to perform or are in default without any reasonable cause, cause loss of business/ money/ reputation, indulge in malpractices, cheating, bribery, fraud or any other misconduct or formation of cartels so as to influence the bidding process or influence the price etc.</p> <p>Suspension of Business Dealings could be in the form of "Hold" or "Banning" a supplier/ contractor or a bidder and shall be as per "Guidelines for Suspension of Business Dealings with Suppliers/ Contractors" available at BHEL's website "https://www.bhel.com/guidelines-suspension-business-dealings-supplierscontractors"</p>	
26.	Arbitration/settlement of disputes clause	<p>In case of any dispute arising out of as in connection with this contract, the same shall be referred to arbitration under Arbitration & Conciliation Act 1996 of a sole arbitrator who shall be appointed by mutual consent of the parties. The seat & venue of arbitration shall be Haridwar. The proceedings shall be conducted in</p>	

		English. The Governing law of contract shall be the substitutive law of India.													
27.	Breach of contract	In case bidder to fail to full-fil the contractual obligations as per contract, Performance Security/Performance Bank Guarantee available with BHEL against the contract value, the same be encashed by BHEL. Further, legal remedies be pursued, levy of liquidated damages, debarment, termination, de-scoping, short-closure, etc., shall be applied as per provisions/extant guidelines of BHEL. Please confirm.													
28.	Integrity Pact	<p>(a) IP is a tool to ensure that activities and transactions between the Company and its Bidders/ Contractors are handled in a fair, transparent and corruption free manner. Following Independent External Monitors (IEMs) on the present panel have been appointed by BHEL with the approval of CVC to oversee implementation of IP in BHEL.</p> <table border="1"> <thead> <tr> <th>SI</th> <th>IEM</th> <th>Email</th> </tr> </thead> <tbody> <tr> <td>1.</td> <td>Shri Otem Dai, IAS (Retd.)</td> <td>iem1@bhel.in</td> </tr> <tr> <td>2.</td> <td>Shri Bishwamitra Pandey, IRAS (Retd.)</td> <td>iem2@bhel.in</td> </tr> <tr> <td>3.</td> <td>Shri Mukesh Mittal, IRS (Retd.)</td> <td>iem3@bhel.in</td> </tr> </tbody> </table> <p>(b) The IP as enclosed with the tender is to be submitted (duly signed by authorized signatory) along with techno-commercial bid (Part-I, in case of two/ three-part bid). Only those bidders who have entered into such an IP with BHEL would be competent to participate in the bidding. In other words, entering into this Pact would be a preliminary qualification.</p> <p>(c) Please refer Section-8 of IP for Role and Responsibilities of IEMs. In case of any complaint arising out of the tendering process, the matter may be referred to any of the above IEM(s). All correspondence with the IEMs shall be done through email only.</p>	SI	IEM	Email	1.	Shri Otem Dai, IAS (Retd.)	iem1@bhel.in	2.	Shri Bishwamitra Pandey, IRAS (Retd.)	iem2@bhel.in	3.	Shri Mukesh Mittal, IRS (Retd.)	iem3@bhel.in	
SI	IEM	Email													
1.	Shri Otem Dai, IAS (Retd.)	iem1@bhel.in													
2.	Shri Bishwamitra Pandey, IRAS (Retd.)	iem2@bhel.in													
3.	Shri Mukesh Mittal, IRS (Retd.)	iem3@bhel.in													
29.	Guarantee/Warranty clause	<p>Kindly confirm the following Guarantee/Warranty clause;</p> <ul style="list-style-type: none"> Guarantee/Warranty period shall be provided for a period of 36 months from the date of supply or 18 months from commissioning, whichever is earlier. In case of any failure or trouble reported from site, the supplier should depute their representative immediately to attend the problem and replace the defective component/part if required, without any additional cost to BHEL. The supplier to provide technical support/services or alternative solutions against any issues; reported in the equipment supplied by the vendor for up to at least 10 years from the supply date. <p>BHEL reserve the rights to reject/load the offers having lesser guarantee period as mentioned above.</p>													
30.	Performance Security/ Performance Bank Guarantee:	<p>Successful bidder to submit Performance Security/Performance Bank Guarantee of 10% of the contract Value (Excluding Taxes). The Performance Security/PBG shall be submitted within 30 days of notification of the award of Contract and it should remain valid for a period of 60 (sixty) days beyond the date of completion of all contractual obligations of the supplier, including Guarantee/warranty obligations.</p> <p>PS/PBG shall be returned to the contractor without interest, after the contractor duly performs and completes the contract in all respects but not later than 60 (sixty) days of completion of all such obligations including the Guarantee/ Warranty under the contract. The Performance Security/PBG shall not carry any interest. Please confirm.</p>													
31.	Order Acceptance :	Ink signed order acceptance shall be furnished within 15 days of order placement. In case, order acceptance do not received within 15 days of order placement, PO deemed to be accepted by you.													

32.	Beneficiary of PO	Kindly confirm on whom the PO will be placed in the event of ordering.	
33.	Delivery	Bidders are requested to offer best possible delivery (project/Lotwise) from PO placement.	
34.	Additional Conditions for Assessment	BHEL reserves the right to consider / Not-consider the offers based on the evaluation of documents submitted for the Pre-Qualification Criteria (PQR).	
		BHEL also reserves the right to have on-site assessment of the facilities at supplier's works during the bid evaluation.	
35.	O&M Manuals	Kindly confirm that in the event of ordering O&M manuals will be provided in 18 nos. of Hard Copies and 05 CD ROMs as per clause 2.4.1 of BHEL drawing no. 1-11400-56012. Out of these, 15 Nos. Hard Copies & 04 CD ROMs of O&M Manuals would be supplied directly to BHEL Haridwar and balance O&M Manuals shall be supplied along with the equipment at site and description of the same should be mentioned in packing list.	
		Kindly note that your documents including O&M Manual shall bear the details as per cover page (Annexure-IV). Further the cover page of the O&M Manual shall be bilingual in Hindi & English Language.	
36.	Quality Requirement	Kindly endorsed BHEL quality plan no QP/EHA rev.00 (copy attached). In the event of ordering, QP of the successful vendor shall be forwarded to End User for their approval. The supplier to specifically confirm to follow End User approved QP.	
		Kindly confirm that Inspection shall be done by Third Party Inspection agency & End user as per End User approved quality plan. <ul style="list-style-type: none"> For spares items, kindly confirm to submit test certificates endorsed by third party inspection agency as per End User approved QP. 	
		Inspection charges will be borne by BHEL. All coordination with third party inspection agency shall be done by the supplier only. Inspection call to third party inspection agency may be raised directly by the supplier; however 15 days are to be provided for deputation of representative of third party inspection agency for inspection.	

SPECIAL NOTE FOR BIDDERS:

Following documents are an integral part of this Tender Enquiry and endorsed copies of these documents (duly signed and stamped on each page, as a token of acceptance) are to be submitted/uploaded along with offer on GeM portal against this bid.

1. Please submit replica of Price schedule (without prices) showing "quoted" in place of price along with techno-commercial bid (Part-I).
2. Please submit signed & Stamped copy (each page) of duly filled of confirmation column of "Buyers Specific Additional Terms & Conditions (ATC)" and its clause wise supporting documents where required.
3. Please submit signed & stamped copy (each page) of General Terms and Conditions of GeM.
4. Please submit signed & stamped copy (each page) of PQR documents with proper filled information and related supporting documents as mentioned in PQR.
5. Please submit signed & stamped copy of QP .
6. Updated MSE/UAM certificate (if any).
7. Certification of Local content as per PPP-MII Order-2017 as per enclosed format .

Format for Self Certification under preference to Make in India order

Certificate

In line with Government Public Procurement Order No. P-45021/2/2017-PP (BE-II) dated 04.06.2020, we hereby certify that we M/s _____ (supplier name) are local supplier. The percentage of local content in the items _____ offered by us against Enquiry No. _____ is _____% (percentage).

Details of location at which local value addition will be made is as follows:

We also understand, false declarations will be in breach of the Code of Integrity under Rule 175(1)(i)(h) of the General Financial Rules for which a bidder or its successors can be debarred for up to two years as per Rule 151 (iii) of the General Financial Rules along with such other actions as may be permissible under law.

Sign & Stamped of the supplier

BANK GUARANTEE FOR PERFORMANCE SECURITY

Bank Guarantee No:

Date:

To
NAME
& ADDRESSES OF THE BENEFICIARY

Dear Sirs,

In consideration of Bharat Heavy Electricals Limited (hereinafter referred to as the 'Employer' which expression shall unless repugnant to the context or meaning thereof, include its successors and permitted assigns) incorporated under the Companies Act, 1956 and having its registered office at _____¹ through its Unit at.....(name of the Unit) having awarded to (Name of the Vendor / Contractor / Supplier) with its registered office at _____² hereinafter referred to as the 'Vendor / Contractor / Supplier ', which expression shall unless repugnant to the context or meaning thereof, include its successors and permitted assigns), a contract Ref No.....dated³ valued at Rs.....⁴ (Rupees -----)/FC.....(in words.....) for⁵ (hereinafter called the 'Contract') and the Vendor / Contractor / Supplier having agreed to provide a Contract Performance Bank Guarantee, equivalent to% (.... Percent) of the said value of the Contract to the Employer for the faithful performance of the Contract,

we,, (hereinafter referred to as the Bank), having registered/Head office at and inter alia a branch at being the Guarantor under this Guarantee, hereby, irrevocably and unconditionally undertake to forthwith and immediately pay to the Employer any sum or sums upto a maximum amount of Rs -- -----⁶ (Rupees -----) without any demur, immediately on first demand from the Employer and without any reservation, protest, and recourse and without the Employer needing to prove or demonstrate reasons for its such demand.

Any such demand made on the Bank shall be conclusive as regards the amount due and payable by the Bank under this guarantee. However, our liability under this guarantee shall be restricted to an amount not exceeding Rs. _____.

We undertake to pay to the Employer any money so demanded notwithstanding any dispute or disputes raised by the Vendor / Contractor / Supplier in any suit or proceeding pending before any Court or Tribunal, Arbitrator or any other authority, our liability under this present being absolute and unequivocal.

The payment so made by us under this Guarantee shall be a valid discharge of our liability for payment thereunder and the Vendor / Contractor / Supplier shall have no claim against us for making such payment.

We thebank further agree that the guarantee herein contained shall remain in full force and effect during the period that would be taken for the performance of the said Contract/satisfactory completion of the performance guarantee period as per the terms of the Contract and that it shall continue to be enforceable till

all the dues of the Employer under or by virtue of the said Contract have been fully paid and its claims satisfied or discharged.

WeBANK further agree with the Employer that the Employer shall have the fullest liberty without our consent and without affecting in any manner our obligations hereunder to vary any of the terms and conditions of the said Contract or to extend time of performance by the said Vendor / Contractor / Supplier from time to time or to postpone for any time or from time to time any of the powers exercisable by the Employer against the said Vendor / Contractor / Supplier and to forbear or enforce any of the terms and conditions relating to the said Contract and we shall not be relieved from our liability by reason of any such variation, or extension being granted to the said Vendor / Contractor / Supplier or for any forbearance, act or omission on the part of the Employer or any indulgence by the Employer to the said Vendor / Contractor / Supplier or by any such matter or thing whatsoever which under the law relating to sureties would but for this provision have effect of so relieving us.

The Bank also agrees that the Employer at its option shall be entitled to enforce this Guarantee against the Bank as a principal debtor, in the first instance without proceeding against the Vendor / Contractor / Supplier and notwithstanding any security or other guarantee that the Employer may have in relation to the Vendor / Contractor / Supplier 's liabilities.

This Guarantee shall remain in force upto and including.....⁷ and shall be extended from time to time for such period as may be desired by Employer.

This Guarantee shall not be determined or affected by liquidation or winding up, dissolution or change of constitution or insolvency of the Vendor / Contractor / Supplier but shall in all respects and for all purposes be binding and operative until payment of all money payable to the Employer in terms thereof.

Unless a demand or claim under this guarantee is made on us in writing on or before the⁸we shall be discharged from all liabilities under this guarantee thereafter.

We, BANK lastly undertake not to revoke this guarantee during its currency except with the previous consent of the Employer in writing.

Notwithstanding anything to the contrary contained hereinabove:

- a) The liability of the Bank under this Guarantee shall not exceed.....⁶
- b) This Guarantee shall be valid up to⁷
- c) Unless the Bank is served a written claim or demand on or before _____⁸ all rights under this guarantee shall be forfeited and the Bank shall be relieved and discharged from all liabilities under this guarantee irrespective of whether or not the original bank guarantee is returned to the Bank.

We, _____ Bank, have power to issue this Guarantee under law and the undersigned as a duly authorized person has full powers to sign this Guarantee on behalf of the Bank.

For and on behalf of
(Name of the Bank)

Dated.....

Place of Issue.....

Framework Confidentiality Agreement cum Undertaking

This Agreement made on this the _____ day of (month) _____ 20____ (“Effective Date”) by and between
M/s BHARAT HEAVY ELECTRICALS LIMITED, having registered office at “BHEL House”, Siri Fort, New Delhi – 110049 (India), acting through its _____ Unit (hereinafter may be referred to as “BHEL” or “the Company”).

And

M/s _____ (address) _____
represented by authorized representative Sri _____ (herein after referred to as the “Supplier”).

The Supplier and the Company may, unless the context otherwise requires, hereinafter be collectively referred to as “Parties” or singly as the “Party”.

RECITALS

Whereas, BHEL is engaged in the design, engineering, manufacturing, construction, testing, commissioning and servicing of a wide range of products, systems and services for the core sectors of the economy, viz. Power, Transmission, Industry, Transportation, Renewable energy, Oil & Gas and Defence and providing associated services to varied customers in relation to which BHEL/its affiliates own valuable information of a secret and confidential nature.

Whereas the Company may, in connection with Contract(s) (as defined hereunder) placed or to be placed upon the Supplier, or otherwise, from time to time, make available, Technical Information as is defined hereunder.

And Whereas BHEL is willing to provide such Technical Information to the Supplier from time to time and the Supplier understands and acknowledges that such Technical Information is valuable for the Company and as such is willing to protect confidentiality of such information, subject to the terms and conditions set out hereunder.

Now therefore, in view of the foregoing premises and in consideration of the mutual covenants and agreements hereinafter set forth, the Parties agree as under:

1. Definitions:

Unless the context so requires, in this Agreement, the following terms will bear the meaning ascribed to the said term in this clause.

- A. **“Contract”** means the Contract entered into with a Supplier and includes a Purchase Order, or a Work Order for procurement of any goods or for provision of any services.
- B. **“Effective Date”** means the date of this Agreement as mentioned in the preamble of this Agreement.

- C. **“Supplier”** includes a Contractor or a Vendor of the Company whether for supplying of goods or for providing any services under a Contract or both.
 - D. **“Technical Information”** includes Drawings, and/or Product Standards and/or Specifications and/or Corporate / Plant Specifications and/or Technological Process Sheets and/or Technical Data Sheets and/or Jigs & Fixtures and/or Pattern & Dies and/or Special Gauges and/or Tools etc. belonging to or wherein the Company has acquired from a third party a right of user and includes any improvement thereto from time to time whether carried out by the Company or by the Supplier.
 - E. **“Intended Purpose”** means the purpose for which the Technical Information is provided to the Supplier under or in connection with a Contract.
 - F. **“Improvement”** includes any modification made to, or adaptation of, the Technical Information which enhances or is calculated to enhance the performance (whether in terms of effectiveness or in terms of efficiency or both) of the product and/or the service to be provided by the Supplier under a Contract.
2. This Agreement shall come into force/deemed to have come into force, as the case may be, on the Effective Date; or, on the first date when the Technical Information or any part thereof is provided by BHEL to the Supplier; whichever is earlier.
3. **Agreement deemed to be incorporated in each Contract:** Unless and to the extent otherwise stipulated in the Contract, the conditions of this Agreement are deemed to be incorporated in all Contracts which may be entered into between the Company and the Supplier. Further, unless otherwise stipulated, the obligations under this Agreement are and will be independent of the obligations under the Contracts and such obligations of the Supplier hereunder will remain of full effect and validity notwithstanding that the period of validity of the Contracts has expired by efflux of time stipulated therein; or, the contract has been discharged by performance or breach; or, the termination of the Contracts for any reason whatsoever.
4. **Ownership:**
- 4.1 The Company may, from time to time, make available to the Supplier, Technical Information on a non-exclusive basis by way of loan.
 - 4.2 The Supplier acknowledges and agrees that all Technical Information and copies thereof that are or may be provided by the Company to the Supplier, are and shall remain the property of BHEL or that of the concerned entity from whom BHEL has obtained the Technical Information and such Technical Information are and shall constitute trade secrets of the BHEL. Nothing in this Agreement or in any disclosures made hereunder by or on behalf of the Company shall be construed as granting upon the Supplier any patent, copyright or design or any other intellectual property rights of whatsoever description that subsists or may hereinafter exist in the Technical Information. Furthermore, nothing in this Agreement or in any disclosures made hereunder by or on behalf of the Company shall be construed as granting upon the Supplier any license or rights of use of such patent, copyright or design or any other

intellectual property rights of whatsoever description which may now or hereafter exist in the Technical Information except for use of the Technical Information strictly in accordance with this Agreement and the Contract and/or as directed in writing by the Company, solely for the Intended Purpose under the Contract.

- 4.3 Neither Party is obligated by or under this Agreement to purchase from or provide to the other Party any service or product and that any such purchase/sale of any product and/or service by one Party to the other Party will be governed by the Contract if any, that may be entered into by and between the Company and the Supplier.
- 4.4 The Supplier is/has been made well aware and acknowledges that the Technical Information being/which may be shared with it by the Company has been either generated by the Company by incurring huge investment and cost or obtained from foreign collaborators under Technical Collaboration Agreement (TCA) with stringent confidentiality conditions.
- 4.5 The Supplier agrees and undertakes to adhere to confidentiality requirements as applicable to BHEL under a TCA and also ensure that the confidentiality requirements are adhered to by all its concerned employees or sub-contractors/suppliers (where permitted to be engaged by BHEL). Any damages, losses, expenses of any description whatsoever, arising out of or in connection with a breach of the confidentiality requirements under a TCA owing to any act or omission on the part of the Supplier or its employees or sub-contractors/suppliers that is claimed by a foreign collaborator from the Company shall be wholly borne by the Supplier and it shall keep BHEL fully indemnified in this behalf. The demand by the Company shall be conclusive upon the Supplier who shall thereupon forthwith pay to the Company without demur, dispute or delay the amount as demanded without demanding any further proof thereof.
- 4.6 The Supplier agrees and undertakes that unless so decided and advised by the Company in writing all rights/title to any Improvement to the Technical Information shall vest in the Company. The Supplier undertakes and agrees to inform forthwith to the Company of any such Improvement made to the Technical Information and transfer all drawings/documents or other materials connected with such Improvement to the Company and also agrees to fully cooperate with the Company for protecting the Company's interests in such Improvement in the Technical Information including but not limited to obtaining necessary protection for the intellectual property rights in such improvement, if so desired by the Company. If a question arises whether a modification amounts to Improvement to the Technical Information, the same shall be decided by the Company and such decision shall be final and binding upon the Supplier.

5. Use and Non-Disclosure:

- 5.1 Unless otherwise stipulated by the Company, all Technical Information made available to the Supplier, by the Company shall be treated as Confidential irrespective of whether the same is marked or otherwise denoted to be Confidential or not.

- 5.2 The Supplier undertakes and agrees that the Technical Information in its possession shall be held in strict confidence and will be used strictly in accordance with this Agreement and solely for the Intended Purpose under the Contract. Use of the Technical Information for any other purpose other than Intended Purpose is prohibited.
- 5.3 In particular, the Supplier shall not use Technical Information or any Improvement in its possession for the manufacture or procurement of the Product(s) or components or parts thereof or use the Technical Information or any portion thereof or any modification or adaptation thereof in any form to provide any product and/or service to any third party, without the prior written consent of the Company.
- 5.4 The Supplier shall not disclose any of such Technical Information to any third party without the prior written consent of the Company. The Supplier agrees that without prior written consent of the Company, the Supplier shall not disclose to a third party about the existence of this Agreement, or of the fact that it is/was in possession of or has experience in the use of any Technical Information nor shall the Supplier share in any manner whatsoever, with a third party, the name or details of any Contract(s) awarded by the Company to it or performed by the Supplier or the scope of work thereof or share any document or correspondence by and between the Company and the Supplier in or in connection with this Agreement or such Contract(s). Notwithstanding what is stated elsewhere, the overall responsibility of any breach of the confidentiality provisions under this Agreement shall rest with the Supplier.
- 5.5 The Supplier undertakes and agrees not to make copies or extracts of and not to disclose to others any or all of the Technical Information in its possession, except as follows:
- (a) The Supplier may disclose the Technical Information to such of its officers and employees strictly to the extent as is necessary for such officer or employee for the Intended Purpose, provided that the Confidential Information (or copies thereof) disclosed shall be marked clearly as the confidential and proprietary information of Company and that such officers and employees shall similarly be bound by undertakings of confidence, restricted use and non-disclosure in respect of the Technical Information. The Supplier shall be responsible for any breach of such confidentiality provisions by such officers and employees.
 - (b) With the prior written consent of Company, the Supplier may disclose for the Intended Purpose such Technical Information as is provided for in such consent to such of its professional advisers: consultants, insurers and subcontractors who shall be similarly bound by undertakings of confidence, restricted use and non-disclosure in respect of such Technical Information.
 - (c) The Supplier shall not be prevented to make any disclosure required by (i) order of a court of competent jurisdiction or (ii) any competent regulatory authority or agency where such disclosure is required by law, provided that where the Supplier

intends to make such disclosure, it shall first consult Company and take all reasonable steps requested by it to minimize the extent of the Technical Information disclosed and to make such disclosure in confidence and also shall cooperate with the Company in seeking any protective order or any other remedy from proper authority in this matter.

6. Exceptions:

The obligations of the Supplier pursuant to the provisions of this agreement shall not apply to any Confidential Information that:

- a) was/is known to, or in the possession of the Supplier prior to disclosure thereof by the Company;
- b) is or becomes publicly known, otherwise than as a result of a breach of this agreement by the Supplier.
- c) is developed independently of the Disclosing Party by the Supplier in circumstances that do not amount to a breach of the provisions of this Agreement or the Contract;
- d) is received from a third party in circumstances that do not result in a breach of the provisions of this Agreement.

7. The obligation of maintaining confidentiality of the Technical Information on each occasion, shall subsist for the entire duration during which the Technical Information / equipment is in possession of the Supplier and shall thereafter subsist for a further period of --- years from the date when the complete Technical Information has been returned to the Company and if Technical Information has been returned in portions on different dates then, the period of ---- years will be reckoned from the date when the last portion of the Technical Information has been returned. Notwithstanding the expiry of the confidentiality obligation, the obligation of the Supplier under clause 5.4 shall continue to subsist for a further period of ----- years.

8. Warranties & Undertakings:

a) The Supplier undertakes to ensure the due observance of the undertakings of confidence, restricted use and non-disclosure by its persons to whom it discloses or releases copies or extracts of the Technical Information.

b) The Supplier shall keep the Technical Information or improvement made therein properly segregated and not mix up the same with any other material/documents belonging to him/it or to any other third party.

c) The Supplier further undertakes that he/it shall not hypothecate or give on lease or otherwise alienate or do away with any of the Technical Information and/or equipment of the Company, made available to him/it, and undertakes that he/it shall hold the same as a trustee, in capacity of custodian thereof and use/utilise the same solely for the purpose of executing the Contract awarded by the Company.

d) The Supplier further undertakes that he/it shall return all the equipment and/or Technical Information as far as practicable in the same condition in which the same was made available to him/it by the Company together with any Improvement thereon and the documents connected with such Improvement, to the Company forthwith upon completion of the scope

of work or Contract for which such Technical Information was provided by the Company to it or as directed by the Company together with a confirmation by way of an affidavit or in such manner as directed by the Company that it has not retained any equipment and/or Technical Information/Improvement thereof. In case any such equipment and/or Technical Information or Improvement thereof shall remain in his possession or is not capable of being returned, the retention and use of such Technical Information or Improvement thereto shall continue to be governed by this Agreement.

e) The Supplier undertakes to indemnify the Company for all the direct, indirect and/or consequential losses, damages, expenses whatsoever including any consequential loss of business, profits suffered by the Company owing to breach by the Supplier of its obligations under this Agreement and/or the confidentiality requirements, if any, contained in the Contract and that the Supplier hereby agrees that the decision of the Company in all such or any such matter/s shall be final and binding on the Supplier. On mere written demand of the Company, the Supplier shall forthwith and without demur or delay pay to the Company any such sum as determined by the Company as the amount of loss or damage or expense which has been suffered by the Company. The Supplier agrees that the Company shall be entitled to withhold and appropriate any amount payable to the Supplier under any Contract then existing between the Company and the Supplier, in case the Supplier fails to make payment, in terms of the written demand, within 7 days thereof. Without prejudice to the foregoing actions, in respect to any breach of this Agreement, the Company shall be entitled to take any other action against the Supplier as per applicable laws, the Contract, Company's applicable policies, guidelines rules, procedures, etc.

9. Without prejudice to any other mode of recovery as may be available to the Company for recovery of the amount determined as due as per Clause 8(e) hereinabove, the Company shall have a right to withhold, recover and appropriate the amount due towards such losses, damages, expenses, from any amount due to the Supplier in respect of any other Contract (s) placed on him/it by any department/office/Unit/Division of the said Company.

10. Arbitration & Conciliation:

a) In case amicable settlement is not reached between the Parties, in respect of any dispute
or

difference or claim or controversy arising out of the formation, breach, termination, validity or execution of the Contract(or Agreement) or the respective rights and liabilities of the parties or in relation to interpretation of any provision of the Contract or in any manner touching upon the Contract, then, either Party may, by a notice in writing to the other Party refer such dispute or difference or controversy or claim, (except as to any matters, the decision of which is specifically provided for therein) to the sole arbitration by the arbitrator appointed by Head/In-Charge of the Unit/Division/Region.

b) The Arbitrator shall pass a reasoned award and the award of the Arbitrator shall be final and binding upon the parties to the dispute.

c) Subject as aforesaid, the provisions of Arbitration and Conciliation Act 1996 (India), or other statutory modifications or re enactments thereof and the rules made thereunder and for

the time being in force shall apply to the arbitration proceedings under this clause. The seat of arbitration shall be at ----- **(Insert the name of the city/town of the concerned BHEL Unit/Division).**

d) In case of Contract with Public Sector Enterprise (PSE) or a Government Department, the following shall be applicable:

In the event of any dispute or difference relating to the interpretation and application of the provisions of the Contract, such dispute or difference shall be referred to by either party to the arbitration of one of the arbitrators in the department of public enterprises to be nominated by the Secretary to the Government of India in-charge of the Department of Public Enterprises. The Arbitration and Conciliation Act, 1996 shall not be applicable to arbitration under this clause. The award of the arbitrator shall be binding upon the parties to the dispute, provided, however, any party aggrieved by such award may make further reference for setting aside or revision of the award to the Law Secretary, Department of Legal Affairs, Ministry of Law and Justice, Government of India. Upon such reference the dispute shall be decided by the Law Secretary or the Special Secretary or Additional Secretary when so authorized by the Law Secretary, whose decision shall bind the parties hereto finally and conclusively.

e) Notwithstanding the existence or any dispute or differences and/or reference for the arbitration, the Supplier shall proceed with and continue without hindrance the performance of its obligations under this Contract with due diligence and expedition in a professional manner.

11. Governing Law & Jurisdiction:

This Agreement shall be governed by and be construed as per applicable Indian Laws in force at the relevant time.

Subject to clauses 10(a) and 10(d) hereinabove, all matters in connection with the subject agreement shall be subject to exclusive jurisdiction of Courts situated at -----**(insert the name of the place where the BHEL Unit/Division is located)**

SIGNATURE

WITNESSES

1.

Name

Address:

2.

Name:

Address:

INTEGRITY PACT

Between

Bharat Heavy Electricals Ltd. (BHEL), a company registered under the Companies Act 1956 and having its registered office at "BHEL House", Siri Fort, New Delhi - 110049 (India) hereinafter referred to as "The Principal", which expression unless repugnant to the context or meaning hereof shall include its successors or assigns of the ONE PART

and

_____, (description of the party along with address), hereinafter referred to as "The Bidder/ Contractor" which expression unless repugnant to the context or meaning hereof shall include its successors or assigns of the OTHER PART

Preamble

The Principal intends to award, under laid-down organizational procedures, contract/s for

_____. The Principal values full compliance with all relevant laws of the land, rules and regulations, and the principles of economic use of resources, and of fairness and transparency in its relations with its Bidder(s)/ Contractor(s).

In order to achieve these goals, the Principal will appoint Independent External Monitor(s), who will monitor the tender process and the execution of the contract for compliance with the principles mentioned above.

Section 1- Commitments of the Principal

- 1.1 The Principal commits itself to take all measures necessary to prevent corruption and to observe the following principles:-
 - 1.1.1 No employee of the Principal, personally or through family members, will in connection with the tender for, or the execution of a contract, demand, take a promise for or accept, for self or third person, any material or immaterial benefit which the person is not legally entitled to.
 - 1.1.2 The Principal will, during the tender process treat all Bidder(s) with equity and reason. The Principal will in particular, before and during the tender process, provide to all Bidder(s) the same information and will not provide to any Bidder(s) confidential/ additional information through which the Bidder(s) could obtain an advantage in relation to the tender process or the contract execution.
 - 1.1.3 The Principal will exclude from the process all known prejudiced persons.
- 1.2 If the Principal obtains information on the conduct of any of its employees which is a penal offence under the Indian Penal Code 1860 and Prevention of Corruption Act 1988 or any other statutory penal enactment, or if there be a substantive suspicion in this regard, the Principal will inform its Vigilance Office and in addition can initiate disciplinary actions:

Section 2 - Commitments of the Bidder(s)/ Contractor(s)

- 2.1 The Bidder(s)/ Contractor(s) commit himself to take all measures necessary to prevent corruption. He commits himself to observe the following principles during his participation in the tender process and during the contract execution.
- 2.1.1 The Bidder(s)/ Contractor(s) will not, directly or through any other person or firm, offer, promise or give to the Principal or to any of the Principal's employees involved in the tender process or the execution of the contract or to any third person any material, immaterial or any other benefit which he/ she is not legally entitled to, in order to obtain in exchange any advantage of any kind whatsoever during the tender process or during the execution of the contract.
- 2.1.2 The Bidder(s)/ Contractor(s) will not enter with other Bidder(s) into any illegal or undisclosed agreement or understanding, whether formal or informal. This applies in particular to prices, specifications, certifications, subsidiary contracts, submission or non-submission of bids or any other actions to restrict competitiveness or to introduce cartelization in the bidding process.
- 2.1.3 The Bidder(s)/ Contractor(s) will not commit any penal offence under the relevant Indian Penal Code (IPC) and Prevention of Corruption Act; further the Bidder(s)/ Contractor(s) will not use improperly, for purposes of competition or personal gain, or pass on to others, any information or document provided by the Principal as part of the business relationship, regarding plans, technical proposals and business details, including information contained or transmitted electronically.
- 2.1.4 Foreign Bidder(s)/ Contractor(s) shall disclose the name and address of agents and representatives in India and Indian Bidder(s)/ Contractor(s) to disclose their foreign principals or associates. The Bidder(s)/ Contractor(s) will, when presenting his bid, disclose any and all payments he has made, and is committed to or intends to make to agents, brokers or any other intermediaries in connection with the award of the contract.
- 2.2 The Bidder(s)/ Contractor(s) will not instigate third persons to commit offences outlined above or be an accessory to such offences.
- 2.3 The Bidder(s)/ Contractor(s) shall not approach the Courts while representing the matters to IEMs and will await their decision in the matter.

Section 3 - Disqualification from tender process and exclusion from future contracts

If the Bidder(s)/ Contractor(s), before award or during execution has committed a transgression through a violation of Section 2 above, or acts in any other manner such as to put his reliability or credibility in question, the Principal is entitled to disqualify the Bidder(s)/ Contractor(s) from the tender process or take action as per the separate "Guidelines on Banning of Business dealings with Suppliers/ Contractors", framed by the Principal.

Section 4 - Compensation for Damages

- 4.1 If the Principal has disqualified the Bidder from the tender process prior to the award according to Section 3, the Principal is entitled to demand and recover the damages equivalent Earnest Money Deposit/ Bid Security.
- 4.2 If the Principal has terminated the contract according to Section 3, or if the Principal is entitled to terminate the contract according to section 3, the Principal shall be entitled to

demand and recover from the Contractor liquidated damages equivalent to 5% of the contract value or the amount equivalent to Security Deposit/ Performance Bank Guarantee, whichever is higher.

Section 5 - Previous Transgression

- 5.1 The Bidder declares that no previous transgressions occurred in the last 3 years with any other company in any country conforming to the anti-corruption approach or with any other Public Sector Enterprise in India that could justify his exclusion from the tender process.
- 5.2 If the Bidder makes incorrect statement on this subject, he can be disqualified from the tender process or the contract, if already awarded, can be terminated for such reason.

Section 6 - Equal treatment of all Bidders/ Contractors / Sub-contractors

- 6.1 The Principal will enter into agreements with identical conditions as this one with all Bidders and Contractors. In case of sub-contracting, the Principal contractor shall be responsible for the adoption of IP by his sub-contractors and shall continue to remain responsible for any default by his sub-contractors.
- 6.2 The Principal will disqualify from the tender process all bidders who do not sign this pact or violate its provisions.

Section 7 - Criminal Charges against violating Bidders/ Contractors /Subcontractors

If the Principal obtains knowledge of conduct of a Bidder, Contractor or Subcontractor, or of an employee or a representative or an associate of a Bidder, Contractor or Subcontractor which constitutes corruption, or if the Principal has substantive suspicion in this regard, the Principal will inform the Vigilance Office.

Section 8 - Independent External Monitor(s)

- 8.1 The Principal appoints competent and credible Independent External Monitor for this Pact. The task of the Monitor is to review independently and objectively, whether and to what extent the parties comply with the obligations under this agreement.
- 8.2 The Monitor is not subject to instructions by the representatives of the parties and performs his functions neutrally and independently. He reports to the CMD, BHEL.
- 8.3 The Bidder(s)/ Contractor(s) accepts that the Monitor has the right to access without restriction to all contract documentation of the Principal including that provided by the Bidder(s)/ Contractor(s). The Bidder(s)/ Contractor(s) will grant the monitor, upon his request and demonstration of a valid interest, unrestricted and unconditional access to his contract documentation. The same is applicable to Sub-contractor(s). The Monitor is under contractual obligation to treat the information and documents of the Bidder(s)/ Contractor(s) / Sub-contractor(s) with confidentiality in line with Non- disclosure agreement.
- 8.4 The Principal will provide to the Monitor sufficient information about all meetings among the parties related to the contract provided such meetings could have an impact on the contractual relations between the Principal and the Contractor. The parties offer to the Monitor the option to participate in such meetings.

- 8.5 The role of IEMs is advisory, would not be legally binding and it is restricted to resolving issues raised by an intending bidder regarding any aspect of the tender which allegedly restricts competition or bias towards some bidders. At the same time, it must be understood that IEMs are not consultants to the Management. Their role is independent in nature and the advice once tendered would not be subject to review at the request of the organization.
- 8.6 For ensuring the desired transparency and objectivity in dealing with the complaints arising out of any tendering process, the matter should be examined by the full panel of IEMs jointly as far as possible, who would look into the records, conduct an investigation, and submit their joint recommendations to the Management.
- 8.7 The IEMs would examine all complaints received by them and give their recommendations/ views to CMD, BHEL, at the earliest. They may also send their report directly to the CVO and the Commission, in case of suspicion of serious irregularities requiring legal/ administrative action. IEMs will tender their advice on the complaints within 10 days as far as possible.
- 8.8 The CMD, BHEL shall decide the compensation to be paid to the Monitor and its terms and conditions.
- 8.9 IEM should examine the process integrity, they are not expected to concern themselves with fixing of responsibility of officers. Complaints alleging mala fide on the part of any officer of the organization should be looked into by the CVO of the concerned organisation.
- 8.10 If the Monitor has reported to the CMD, BHEL, a substantiated suspicion of an offence under relevant Indian Penal Code/ Prevention of Corruption Act, and the CMD, BHEL has not, within reasonable time, taken visible action to proceed against such offence or reported it to the Vigilance Office, the Monitor may also transmit this information directly to the Central Vigilance Commissioner, Government of India.
- 8.11 The number of Independent External Monitor(s) shall be decided by the CMD, BHEL.
- 8.12 The word 'Monitor' would include both singular and plural.

Section 9 - Pact Duration

- 9.1 This Pact shall be operative from the date IP is signed by both the parties till the final completion of contract for successful bidder and for all other bidders 6 months after the contract has been awarded. Issues like warranty / guarantee etc. should be outside the purview of IEMs.
- 9.2 If any claim is made/ lodged during currency of IP, the same shall be binding and continue to be valid despite the lapse of this pact as specified above, unless it is discharged/ determined by the CMD, BHEL.

Section 10 - Other Provisions

- 10.1 This agreement is subject to Indian Laws and jurisdiction shall be registered office of the Principal, i.e. New Delhi.

10.2 Changes and supplements as well as termination notices need to be made in writing. Side agreements have not been made.

10.3 If the Contractor is a partnership or a consortium, this agreement must be signed by all partners or consortium members.

10.4 Should one or several provisions of this agreement turn out to be invalid, the remainder of this agreement remains valid. In this case, the parties will strive to come to an agreement to their original intentions.

10.5 Only those bidders / contractors who have entered into this agreement with the Principal would be competent to participate in the bidding. In other words, entering into this agreement would be a preliminary qualification.

For & On behalf of the Principal

(Office Seal)

Place-----

Date-----

Witness:_____

(Name & Address) _____

For & On behalf of the Bidder/

Contractor

(Office Seal)

Witness:_____

(Name & Address) _____

General Terms and Conditions on GeM 4.0 (Version 1.11)

dt 21st June 2023

1. Introduction

This document is an electronic record published by GeM under the provisions of the Information Technology Act, 2000 and the rules made there under (as applicable) and shall act as valid agreement between Seller / Service Provider and Buyer. Further the use of GeM Portal for Sale / Purchase of Goods / Services and the **resulting Contracts shall be governed by the following General Terms and Conditions (GTC) (unless otherwise superseded by Product / Service specific Special Terms and Conditions (STC), Product / Track / Domain Specific STC of Particular Service including its SLA (Service Level Agreement) and BID/Reverse Auction Specific Additional Terms and Conditions (ATC) as applicable).**

Government e-Marketplace (GeM) is the National Public Procurement Portal; an end- to-end online Marketplace for Central and State Government Ministries / Departments, Central & State Public Sector Undertakings (CPSUs & SPSUs), Autonomous institutions and Local bodies, for procurement of common use goods & services. The portal is owned and managed by GeM SPV which is a Section 8 (Non- Profit) Company registered under the Companies Act, 2013. GeM SPV operates, monitors and supervises all the business transactions on the portal through the Managed Service Provider as per defined roles and responsibilities.

2. General Terms and Definitions:

- a. **“APPLICABLE LAWS”** shall mean any statute, law, ordinance, notification, rule, regulation, judgment, order, decree, bye-law, approval, directive, guideline, policy or other governmental restriction as may be in effect.
- b. **“GOODS”** shall mean an Article / product or an intangible product like software, technology transfer, licenses, patents or other intellectual properties being offered for sale on the GeM portal by Seller(s) on GeM. The term ‘Goods’ shall also include works and services which are incidental or consequential to the supply of such goods, such as, transportation, insurance, installation, commissioning, training and guarantee / warrantee obligations as defined in the scope of supply given in the contract.

Note: If nothing contrary is specified in the contract and in the detailed specification of products given in contract, the scope of contract shall be supply of Goods on free delivery to consignee basis.

General Terms and Conditions on GeM 4.0 (Version 1.11)

dt 21st June 2023

- c. **“SERVICES”** shall mean the services offered or provided by the Seller such as IT Professional Services, Manpower Services, Security Services, Transport Services, etc. listed as Services on GeM. The term ‘Service’ shall also include supply of goods / articles which are incidental or consequential to the provisioning of such Services as defined in the scope of supply given in the contract
- d. **“SERVICE LEVEL AGREEMENT (SLA)”** shall mean the Contractual Commitment that prevails between the Buyer and the Service Provider with regard to type of service to be provided, deliverables, desired performance level, reliability and responsiveness, monitoring process and service level reporting, response and issue resolution time-frame, repercussions / penalties / remedies for service provider not meeting its commitment. The SLA of a particular contract may carry the matrix regarding the delivery of the goods and/or services and the corresponding penalties or remedies and liquidated damages as applicable.
- e. **“CATEGORY SPECIFICATION”** shall mean the framework of technical features, functional capabilities, technical properties, certifications of the items etc. in a particular category. The Specifications shall identify the key parameters defining the products with all necessary validations related to configuration, type of data, restrictions, range / allowed values, allowed units etc. Sellers as well as Buyers while offering / buying the Goods / services shall have to comply with the validation rules / restrictions provided for in the Category Specification. Buyers / Sellers can not add parameters and / or drop down values not provided for in category Specification. If any Buyer / Seller desire to add new parameter, value, validation etc. against any category specification, they have to raise request for the same to GeM for incorporation in Category Specification.
- f. **“BUYER”** is the Contract placing authority, which includes Central/State Government Ministries/Departments including its attached/subordinate offices, Central/State Public Sector Units (PSUs) and Autonomous Bodies acting through its authorized officer(s) for and on behalf of President of India/Governor of the State/PSU/Autonomous Bodies, as the case may be, for purchase of Goods/Services offered by Sellers on GeM.
- g. **“SELLER / SERVICE PROVIDER”** on GeM shall mean any legal entity such as firm(s) of Proprietorship / Partnership Firm / Limited Liability Partnership / Private Limited / Limited company / Society registered under Society’s Act / Statutory Bodies etc., registered on GeM to sell its Good(s) / Service(s) to the Buyers registered on GeM.

General Terms and Conditions on GeM 4.0 (Version 1.11)

dt 21st June 2023

The “Seller on GeM” will be either OEM (Original Equipment Manufacturer*) or Seller having authorization to sell products manufactured by the OEM in open market or Licensed manufacturer under Drugs & Cosmetics Act, 1940.

* OEM is the owner of the Brand / Trademark of the product being offered or in case of un-registered brand’s products / products with own brand, the actual manufacturer of the final product. To be recognized as an OEM on GeM, seller has to get Vendor Assessment Report from designated agency (unless exempted as per GeM VA policy) as per due process of vendor assessment notified on GeM portal (which would include production of documentary evidences and demonstration of manufacturing facilities and / or capabilities as required).

In case of Services related to Goods, Service Provider on GeM will be either OEM or Service Provider having authorization to Service products manufactured by that OEM in open market. In respect of other Services, Service Provider on GeM will be any legal entity offering its services.

By registering on GeM portal , Seller / Service Provider hereby agrees to be bound by these General Terms and Conditions for Sale / Purchase of Goods and / or Services (GTC); Product / Service Specific Special Terms and Conditions (STC) and Service Level Agreements (SLAs) for various Services; and Additional (Bid Specific) Terms and Conditions (ATC) as applicable. For the purpose of this document and transactions on GeM, Seller as well as Service Provider will be referred to as “Seller”

- h. **“USER ID and PASSWORD”** All users including Buyers and Sellers (primary as well as secondary) will get User ID and Password created on GeM following due registration process defined on GeM. It is the responsibility of the user to keep their User ID and Password secure and confidential. Individual user shall be solely and completely responsible for all transactions taking place on GeM portal using his / her User Id and Password and GeM shall not be responsible in any manner.
- i. **“LICENSE”** shall mean by registering the Seller and by offering Product / Service details on GeM and by participating in Bids floated on GeM, the Seller grants GeM a non-exclusive, royalty-free, irrevocable, perpetual and fully sub-licensable right to use, reproduce, modify, adapt, publish, translate, distribute, and/or display publicly the content / materials / documents which has been submitted to GeM and / or GeM Buyer(s) during registration / bid participation excluding Aadhaar Number. In case of registration of Primary user and creation of secondary user(s) by the Buyer/Seller, their Aadhaar (UID)

General Terms and Conditions on GeM 4.0 (Version 1.11)

dt 21st June 2023

details collected by GeM are solely for user verification and to apply e-signing on the documents. The e-sign is at par with digital signatures as per Information Technology Act Amendment 2008 and it works based on details available in Aadhaar database of UIDAI and there is no interference / intrusion in their personal details.

- j. **“CONTRACT”** shall mean the purchase order created / issued by the Buyer on GeM for supply of Goods / Services in electronic form which includes scope of supply, delivery instructions and specifications etc. as ordered by Buyer against such Contract besides the subject GTC, STC/ATC as the case may be.
- k. **“BID SECURITY”** (also known as Earnest Money Deposit) shall mean Insurance Surety Bond, Account Payee Demand Draft, Fixed Deposit Receipt, Banker’s Cheque or Bank Guarantee (**including e-Bank Guarantee**) from any of the Commercial Banks or payment online in an acceptable form as defined in the bid document, safeguarding the purchaser’s interest in all respects.
- l. **“PERFORMANCE SECURITY”** shall mean Insurance Surety Bonds, Account Payee Demand Draft, Fixed Deposit Receipt from a Commercial bank, Bank Guarantee (**including e-Bank Guarantee**) from a Commercial Bank or online payment in an acceptable form as defined in the bid document safeguarding the purchaser’s interest in all respects.

3. Role, Responsibilities and Obligations of Seller/ Buyer:

A. Role and Responsibilities of Sellers on GeM are as under:

- i. Only Director (s) / Partner (s) / Proprietor (as applicable) are authorized to become Primary User and register any legal entity on GeM as Seller.
- ii. Once Seller/Service Provider is registered and account is created on GeM, the Primary user of the Seller/Service Provider can create Secondary User Accounts within Seller/Service Provider Organization with different Roles and Responsibilities. However, the Primary User creating Secondary User accounts shall continue to be fully responsible and accountable for all actions / transactions done by Secondary Users on GeM Portal.
- iii. Since GeM is a trust based Portal, the complete accuracy and integrity of data submitted in respect of the Seller and also in respect of the Goods / Services offered on GeM will be the sole responsibility of the Seller/Service Provider. Seller will be liable for administrative action as per GeM terms and conditions in case of any discrepancy / infirmity in any data / information submitted on GeM.

General Terms and Conditions on GeM 4.0 (Version 1.11)

dt 21st June 2023

- iv. The Primary / Secondary Users of Sellers, offering Goods/Services and/or participating in e-Bidding / Reverse Auction on GeM, must ensure that they have the requisite authorization to enter into contract with Buyer(s) in GeM for and on behalf of the Seller, failing which such Seller as well as the individual(s) shall be vicariously liable for its actions and also for any liability arising out of such actions.
- v. Seller can offer any number of products. However, it will be the sole responsibility of the seller to satisfy themselves regarding possessing the requisites for doing business for the offered product(s). The Sellers are solely responsible for ensuring that there is no violation of any Intellectual Property Rights in their offer for sell / providing service on GeM.
- vi. The Seller should not exercise any corrupt influence on any aspect of contract and commit to take all measures necessary to prevent corruption maintaining complete transparency, integrity and fairness in all activities related to GeM.
- vii. The seller would represent its business on the GeM portal and is mandated to comply with all the terms and conditions of the platform. Sellers would be solely and absolutely responsible for the information provided about their organization, business, products and services on the portal and would be required to produce proof of such information, if requested at any point in time by the Buyer and / or GeM.
- viii. GeM would not allow creation of any fresh data related to Seller identity on GeM portal. All details provided by the Seller at the time of registration would be counter checked / verified through other data bases of Government such as PAN, MCA 21, Udyam Registration, etc. For Financial details, PAN / Income tax Database shall be primary validating database and will override any conflicting data in any other database. If the data / details entered by the seller while registering on GeM is not verified with validating databases, registration will not be allowed. Further, in case of any conflict in details after registration, Seller's registration would be automatically suspended. It is the Seller's responsibility to keep all their information on GeM updated with the latest change(s). Non-updating of details on GeM within 7 days of such occurrence would make Seller liable for administrative actions.
- ix. Eligibility of Sellers in terms of Turn Over / Past Performance / Profitability etc. and also their eligibility for availing various benefits / advantages in terms of various Govt. Policies / Guidelines / Acts / Laws etc. shall be determined solely on the basis of data fetched / validated or verified through external agency / owner of that set of database such as Income Tax / PAN Data Base, MCA 21, Udyam

General Terms and Conditions on GeM 4.0 (Version 1.11)

dt 21st June 2023

Registration, GSTN, Certifying Agencies such as BIS, BEE etc. In case of any discrepancy in data available in these databases, Seller has to get the same updated in the corresponding validating database before updating the same on GeM. Till such time only the existing validated information shall be used to decide seller's eligibility on GeM. Any default in sellers updating their data on partner sites / validating databases and any fall out of the same impacting adversely any transaction on GeM, shall entirely and exclusively be Seller's responsibility. GeM shall not be responsible for any consequential impact on any GeM transaction due to data discrepancy and / or suspension of seller account due to data discrepancy. Seller will be solely responsible for the same.

- x. The Seller shall be solely responsible for the Goods / Services including, without limitation, the applicable guarantee / warranty, shelf-life, quantity, quality and the title and for giving the correct and accurate details of the offer their Goods and / or /Services indicating product specifications, quantity which can be supplied over the specified time period, etc. as per catalogue or catalogue based template prescribed in GeM. Seller would ensure that the Goods or /Services offered are latest, new and complete in all respects. Where Seller is selling any Goods which needs spare parts, Seller should ensure and make available such spare parts for a minimum period of three years from the date of expiry of warranty period (unless otherwise specified). The individual Sellers shall ensure that the products offered in e-Bidding and/or ordered shall remain available on GeM during the bid / contract validity period.
- xi. Sellers shall offer minimum discount of 10% on the Maximum Retail Price (MRP) mandatorily (unless otherwise specified for offering their products on GeM). Sellers are free to offer higher discounts. The Seller must offer its best possible lowest price on GeM and undertake that it would not sell or offer to sell the same product outside GeM in comparable quantity on similar terms and conditions at a price lower than Offer Price on GeM. In case any such infringement by Seller is noticed, the Seller shall be liable to be removed / debarred from the GeM.
- xii. By offering their product on GeM, the Seller agrees for sharing price details of the offered Goods / Service by GeM authorities with other Government agencies including Department of Excise & Customs, Income tax, GST etc.
- xiii. Sellers shall ensure uploading of their product / service in the correct category in all respects. Any offering of wrong and misleading product(s) or service(s) in any of the category will be removed by GeM from the portal when noticed without making any reference to the seller(s). The seller(s) will also be liable for any other

General Terms and Conditions on GeM 4.0 (Version 1.11)

dt 21st June 2023

Administrative action as deemed fit by GeM for uploading wrong product(s) or service(s) in any category.

If any such infringement made by Seller leads to placement of a contract by any Buyer for such inappropriately offered product(s) / service(s) by the Seller, such contract shall be treated as null and void.

No claim whatsoever against such contract shall be admissible and entertained.

- xiv. The Seller(s) shall pass on all the benefits associated with any scheme / offer / freebies provided by the OEM on any product from time to time on an "as-is basis" to the Buyer. This obligation will also apply to OEM's directly supplying the goods. Holding back any such offer or accounting such freebies in quantity supplied shall make such consignments liable to be rejected by the consignee and shall also be considered as inappropriate and against the GeM policies for which GeM reserves all rights to take necessary action against such Seller/OEM as deemed fit.

By registering on GeM and by participating in any bid on GeM, Seller undertakes that presently it is not "Debarred from Bidding" on the grounds mentioned in Rule 151 of GFR 2017.

- xv. In case of drug manufacturer licensed under Drugs & Cosmetics Act 1940, drug manufacturers have to submit a notarized undertaking that the license for the product submitted by them has been issued under Drugs & Cosmetics Act, 1940 and is authentic and that the data of the same has been uploaded by the manufacturer on the SUGAM Portal under rule 84AB of Drugs Rules, 1945.

Only such manufacturers who have given the said undertaking as above will be considered as authentic for registration on GeM.

The said undertaking / affidavit to be submitted by the Drug Manufacturer, in prescribed form, would enable / empower Buyer / Ministry / Central Drugs Standard Control Organization (CDSCO) to initiate criminal proceedings in case of false declarations.

- xvi. By offering their product and fulfilling the basic need of regular updating of the stock on GeM as stipulated on the portal, the Seller agrees for the acceptance of the order placed through the Direct purchase and L1 purchase without any need for any acceptance or confirmation. The seller commits to hold the price and offer as valid till the date seller itself removes the product offer from GeM or changes the price in compliance with online price change guidelines / rule

General Terms and Conditions on GeM 4.0 (Version 1.11)

dt 21st June 2023

engines applicable in that category. The action as deemed fit may be initiated for the declining of the such orders as incident policy of the GeM.

B. **Role and Responsibilities of Buyer on GeM:**

Buyer Registration on GeM is divided in two categories:

a. **Primary User:** In GeM, the Primary User is as under:

- i. Any officer of Central / State Government / PSU / Autonomous Bodies / Local Bodies / Constitutional Bodies / Statuary Bodies at the level of Deputy Secretary of the Government of India or equivalent
- ii. Head of the Office at Sub Centre / Unit / Branch, can Register his / her organization / unit on GeM portal as Primary User.

Primary User shall be responsible for registering the organization on GeM, for creating User accounts for Secondary Users, assigning them roles and responsibilities on GeM and for supervision of all transactions performed by Secondary Users under him / her.

Primary User shall also be vicariously responsible for ensuring compliance of General Financial Rules and / or Rules Governing Public Procurement in respect of their organization, all GeM terms and conditions and other Procurement Policies / Guidelines notified by the government from time to time, by all the secondary users including timely payments and for dispute resolutions as per GeM terms and conditions.

Primary user cannot perform any Procurement related transactions on GeM portal.

- b. **Secondary Users:** Secondary Users are officials responsible for procurement transactions on GeM including Placement of Contracts, Receipt of Stores, and Payments to the Sellers etc. The access rights permissible to registered Secondary users would be decided by the Primary User of the Department. Secondary Users may be given the roles of Buyer / Consignee / Drawing and Disbursement Office (DDO) / Paying Authority / Indentor / Technical Evaluator, etc. For transaction on GeM portal, Buyer is the official who is responsible for processing procurement transaction up to Order Placement stage. Consignee is the Secondary User in Buyer Organization responsible for certifying receipt and acceptance of the goods procured.

General Terms and Conditions on GeM 4.0 (Version 1.11)

dt 21st June 2023

Buyer's responsibilities on GeM portal are as under:

- i. The Buyers are responsible to ensure that the procurement done by them are in compliance of General Financial Rules and / or Rules Governing Public Procurement in respect of their organization, all GeM terms and conditions and other procurement Policies / Guidelines notified by the government from time to time, including timely payments as per GeM terms and conditions.
- ii. The Buyers (in all capacities i.e. as Buyer, Consignee, DDO, Paying Authority etc.) are responsible to ensure that the procurement done by them are in compliance with GeM Terms and Conditions / Guidelines and all contract related transactions are completed within time lines prescribed in GeM Contract.
- iii. The Buyers must ensure that they have the requisite authorization to enter into contract with Seller(s) on GeM for and on behalf of the organization, failing which such individual(s) shall be individually liable for its actions and also for any liability arising out of such actions.
- iv. While making procurement on GeM, the Buyers shall judiciously search and shortlist items using filters such as quantity, technical parameters, delivery period, warranty period, consignee location(s), Seller's eligibility etc. as per their approved requirements. Placement of contract for a product / service uploaded by the Seller in any wrong/inappropriate product category is strictly prohibited and such contracts shall be treated as null and void and such Buying shall adversely affect Buyer Rating on GeM.
- v. The Buyers shall satisfy themselves that the price of the selected offer is reasonable. Buyer is at liberty to utilize all the data / information and Business Analytics made available in GeM including e-bidding and reverse auction.
- vi. The Buyers, before placing the order on GeM, should have the required mandatory approval with prior sanction and approval of the competent authorities and shall be in compliance with and as per procedures outlined in GFR and other procurement guidelines issued by the Government from time to time.
- vii. On award of the Contract(s), it would be construed that the Buyer has obtained all necessary Administrative & Financial sanctions of the competent authority and adequate funds are available indicating the relevant Head of accounts in the awarded Contract(s).

General Terms and Conditions on GeM 4.0 (Version 1.11)

dt 21th June 2023

- viii. The Buyers should not exercise any corrupt influence on any aspect of contract and commit to take all measures necessary to prevent corruption maintaining complete transparency and fairness in all activities related to GeM.
- ix. Buyers are not allowed to place any order at GeM prices outside GeM. The prices on GeM are only applicable if the procurement is made through GeM portal. Using GeM prices for procurement outside GeM portal is strictly prohibited. Further, Buyers are not allowed to place any off-line contract to the Seller directly based on the outcome of e-Bidding / RA conducted on GeM. All such contracts shall be treated as null and void and GeM reserves the right to delete all data related to such transactions from GeM database besides taking suitable actions against such Buyers including suspension from GeM and / or reduction of Buyer rating etc.

4. Enabling provisions of Rule 149 of General Financial Rules- 2017

Enabling provisions of Rule 149 of General Financial Rules- 2017 as amended vide Ministry of Finance OM dated 02.04.2019 regarding procurement through GeM and necessary guidelines and terms and conditions thereon:

GeM portal may be utilized by the Government buyers for on-line purchases as under:-

- i. Up to INR 25,000/- through any of the available suppliers on the GeM, meeting the requisite quality, specification and delivery period.
- ii. Above INR 25,000/- and up to INR 5,00,000/- through the GeM Seller having lowest price amongst the available sellers (excluding Automobiles where there is no ceiling limit), of at least three different manufacturers, on GeM, meeting the requisite quality, specification and delivery period. The tools for online bidding and online reverse auction available on GeM can be used by the Buyer if decided by the competent authority.
- iii. Above INR 5,00,000/- through the supplier having lowest price meeting the requisite quality, specification and delivery period after mandatorily obtaining bids, using online bidding or reverse auction tool provided on GeM (excluding Automobiles where there is no ceiling limit).
- iv. The Government Buyers may ascertain the reasonableness of prices before placement of order using the Business Analytics (BA) tools

General Terms and Conditions on GeM 4.0 (Version 1.11)

dt 21th June 2023

available on GeM including the Last Purchase Price on GeM, Department's own Last Purchase Price etc.

- v. GFR rule 149 allows direct on-line purchases on GeM up to INR 25,000/- through any of the available suppliers on the GeM, meeting the requisite quality, specification and delivery period. However, this is subject to procuring authorities certifying the reasonability of rates. While making such direct on-line purchase below INR 25,000/-, the buyer should have approval of competent authority and should also record reasons for selecting the specific product in case lowest priced products are not being accepted / ordered.
- vi. Tools have been deployed on GeM portal to show the price of compared products on other e-commerce sites (wherever available) and also the rates at which orders have been placed on GeM for such items in recent past. While taking decision on reasonableness of price, the buyers may also take into account the discount over MRP; Last Purchase Price (LPP) on GeM, Department's own Last Purchase Price; rates on other e-commerce websites etc. The prices on e-commerce site give a broad idea and its terms and conditions may be different. If it is found that the price available on GeM marketplace is not reasonable or is substantially higher than e-commerce sites or LPP, the GeM Portal provides tools for online bidding or reverse auction which can be used by the Buyers to get better competitive rates and then satisfy themselves about reasonableness of the price as per GFR -2017 before placement of contract. Bidding should be considered as the preferred mode of procurement above INR 25,000/-.
- vii. In case of Direct Purchase, during carting period, rates for carted quantity, for that buyer, are frozen for carting period as notified from time to time on GeM against any upward revision by seller. However, advantage of any downward revision in the offer price of carted item shall be automatically provided to the buyer.
- viii. According to the provisions of Rule 149 (ii) of GFR, 2017, GeM shall be utilized by Government buyers for direct on-line purchases above INR 25,000/- and up to INR 5,00,000/- however such purchase has to be through the Seller having the lowest price (L-1) amongst the available Sellers on the GeM. In order to ensure that buyers select only L-1 available offer, the GeM portal enables buyer to first compare all the product options available on GeM to ensure that it meets its requirements/specifications. While comparing, care should be taken by the Buyer that comparison has to be done between products of at least

General Terms and Conditions on GeM 4.0 (Version 1.11)

dt 21th June 2023

three different Manufacturers / OEMs. For L-1 buying, comparison has to be made between products of at least three different OEMs, as per GFR. If Buyer wants to buy any specific OEM's product then he has to go for Proprietary Article Certificate (PAC) buying after obtaining necessary approvals of competent authorities for PAC buying as per GFR-2017, as amended from time to time or the Procurement Guidelines of the respective Organisation as the case may be.

- ix. **Proprietary Article Certificate (PAC) Buying:** While making procurement under PAC Buying on GeM, it is the responsibility of the Buyer to ensure that compliances with the conditions / rules as laid down under GFR, 2017, as amended from time to time or the Procurement Guidelines of the respective Organisation, as the case may be, is met before initiating procurement under PAC:

(a) In case a Govt. Buyer on GeM wants to make procurement on proprietary basis on the GeM Portal after obtaining the requisite approvals / PAC certificate from their competent authority as per Rule 166 of GFR-2017 or the Procurement Guidelines of the respective Organisation, as the case may be, the Buyer can use PAC filter provided on GeM for selecting a specific model/ make available from a particular GeM Seller. The Buyer should ensure before procuring the goods under PAC Buying that the Proprietary Article Certificate as per the conditions laid down in GFR or the Procurement Guidelines of the respective Organisation, as the case may be, is available with the Buyer. It is the responsibility of the Buyer to ensure compliance with GFR or the Procurement Guidelines of the respective Organisation while procuring goods on proprietary basis through the GeM Portal including ensuring the certificate to be in proper format as per GFR or the Procurement Guidelines of the respective Organisation, as the casemay be.

(b) The Buyer should note that the Seller's price on the Portal is just their offer prices and the proper discovery of price generally happens through bidding/RA. Moreover, in PAC procurement irrespective of multiple listing by authorized sellers, the important issue of price control remaining with the OEM should not be overlooked. Therefore, in case of all the PAC procurements, the Buyers are advised to carry out extra due diligence in establishing the reasonableness of prices

General Terms and Conditions on GeM 4.0 (Version 1.11)

dt 21th June 2023

before placement of contract as per Para (vii) of Rule -149 of GFR-2017 or the Procurement Guidelines of the respective Organisation, as the case may be.

(c) Except for direct buying up to INR 25,000/- subject to establishing the reasonableness of price, the bidding is mandatory for procurements above INR 25,000/- as per GFR. As result of bidding, the response could be as under:

- i. Only OEM is available or only single authorised seller is available.
- ii. OEM as well as multiple authorised Sellers are available.
- iii. Multiple authorised Sellers of the OEM are available.

(d) After bidding, under PAC buying, the Buyer may take decision with the approval of the competent authority to process the procurement subject to establishing the reasonableness of prices before placement of contract as per Para (vii) of Rule - 149 of GFR-2017 or the Procurement Guidelines of the respective Organisation, as the case may be.

- x. In order to give flexibility to the buyers in sourcing their requirements through GeM, provision has been made in e-bid and RA modules for indicating delivery period in terms of “number of days from date of placement of contract”. While stipulating delivery period in their bid documents, Buyers are advised to be careful since un-realistic delivery period stipulations may result in elimination of some genuine sellers, lack of competition and may ultimately have impact on cost of procurement. While fixing delivery period in e-bid/ RA bid, buyers should not only take into consideration the quantity required and the essentiality of requirement of that quantity within stipulated time period but also the possible impact of shorter delivery period on competition in e-bidding / RA.
- xi. Splitting of demands by creating multiple Bids / RAs of same goods / services or making repeated procurements of same Goods / Services through L-1 buying as per rule 149(i) and 149(ii) of GFR-2017 are strictly prohibited on GeM. Splitting of demand deprives the organizations from achieving the best competitive prices leveraging economies of scale. It also implies avoiding the necessity of obtaining the sanction of higher authority required with reference to the estimated value of the total demand. It is a violation of Para Rule 149 (viii) of GFR -2017 and terms and conditions of GeM Portal and Buyer including the Primary Buyer shall be entirely responsible for the same. If

General Terms and Conditions on GeM 4.0 (Version 1.11)

dt 21th June 2023

any such splitting of demand is noticed, GeM shall have the right to take necessary action such as blocking of such Bids/RAs and / or cancelling such contracts.

- xii. GeM is a dynamic online marketplace. The product/service listings across the existing categories are dynamic. Moreover, new categories of products/services are continuously being added on GeM. In situations where there is only one offer available in a product/ service category and/or there is offer from only one Seller after filter based search, the buyer should not select such offer for buying. Efforts should be made by Buyer to get their past suppliers and prospective Sellers on-boarded on GeM so as to ensure availability of sufficient Sellers on GeM. This however will not apply for PAC procurement.

xiii. e-Bidding and Reverse Auction (RA) on GeM

- (a) The e-Bidding / RA module of GeM is a tool provided to the Buyer(s) for organizing bidding / RA from GeM Sellers of the particular product category for a pre-defined requirement i.e. quantity, technical parameters for Goods/ Services of the particular product category required for one or more Buyers / Consignees.
- (b) Prior to initiating e-Bidding / RA, the Buyer shall judiciously search and shortlist item among the items offered on GeM using filters such as quantity, technical parameters, warranty period, consignee location(s) etc. as per the requirement. In case the search made using actual quantity required, fails to identify sufficient offers, the Buyer may use an indicative quantity for initial search and selection of product and quantity may be amended to match the actual requirement at the time of finalizing e-Bidding / RA.
- (c) The technical parameters and warranty of the item identified by the Buyer shall be base parameters of the item for conducting e- Bidding / RA for the required Goods/Services.
- (d) The e-Bidding / RA document will be finalized by the Buyer(s) by stipulating requirements such as Quantity, Consignee Details, Terms of Delivery, Delivery Period, Bid Security, Performance Security, Time & Date for Start and End of Bid Submission and for Opening of Bids and required Bid Validity period etc. GeM system shall decide Start /

General Terms and Conditions on GeM 4.0 (Version 1.11)

dt 21th June 2023

Reference Price and Step Value of Decrement in case of RA based on product selection and / or outcome of bidding process.

- (e) The e-Bidding / RA invitation / Notice shall be published on GEM, stipulating the last date for bid submission / opening of bids giving at least clear 10 days time after the publication. Any change in last date for bid submission will be intimated to eligible bidders through e-mail / GeM. The e-Bidding invitation shall be extended to all the registered Sellers on GeM who have Goods / Services for that particular category listed on GeM, at least 2 hours prior to closing time of e-Bidding / RA. The GeM normally requires 48 hrs for approval / rejection of the product / service offered by Sellers before it is listed on the portal. Considering these time lines, the Sellers are required to offer their Goods / Services on GeM well in advance before bid closure. The decision of the Buyer / GeM regarding technical/commercial eligibility of the individual Seller to be invited for e-Bidding / RA shall be final.
- (f) The Seller participating in the e-bidding / RA may offer any one of their product(s) already listed on GeM. The bid submitted under:
 - i) e-Bidding shall remain valid for 15 days (or as stipulated by the Buyer in the bid document) from the Bid Opening Date (till 24.00 Hrs IST).
 - ii) RA in Bid to RA case, where the bid offer validity is less than 30 days, will be extended to 30 days including the RA initiation date.

Bid Validity can be further extended with mutual consent between Buyer and Seller. The products offered in e-Bidding / RA cannot be withdrawn by the Sellers from GeM during the bid validity period. The Buyer reserves the right to postpone/cancel the e-bidding and intimation thereof will be sent by e-mail / GeM to the Bidders. Any amendment / corrigendum to the e-bid invitation issued by the Buyer will be made online and shall be uploaded on the GeM. The participation by the Seller in e-bidding shall be construed as his / her acceptance for all the Terms and Conditions as outlined in the e-bidding including GTC, STC and ATC. However, the Buyer shall have right to decide the technical and commercial acceptability of the individual bids based on eligibility criteria and compliances as stipulated in the bid document. The technical parameters shown in the bid are from a particular catalogue as selected by the buyer while applying initial filters in selection of the product. The sellers are free to bid for same, equivalent or superior specifications

General Terms and Conditions on GeM 4.0 (Version 1.11)

dt 21th June 2023

catalogue / products. In the public interest, buyers will evaluate such bids based on their requirements / end use and bid parameters and will accordingly technically accept or reject the bids on merits.

- (g) In bid documents, Buyers can incorporate suitable eligibility criteria and additional terms and conditions only using various filters and ATC module available in e-bidding / RA modules of GeM. Buyers are not allowed to incorporate eligibility criteria and / or additional / special terms and conditions exterior to the GeM portal by making reference to any other website / documents etc.
- (h) In case, two or more acceptable bidders are found to have quoted identical lowest bid price, Buyer has to conduct Reverse Auction for the required Goods among all technically qualified bidders in case of bids for Goods. In case of Services bids, if the multiple L-1 bidders have quoted the lowest allowed price for that service, Buyer shall place the Contract by selection of a bidder amongst the L-1 bidders through a Random Algorithm executed by GeM system.
- (i) The Buyer reserves the right to accept/reject any bid including the lowest bid received through e-bid and/or annul the e- bidding process.
- (j) The participating bidders shall not disclose details of their bids or other details of their e-bids to other bidders or indulge in any anti-competitive behaviour including price manipulation in violation of Competition Act, 2002.
- (k) The Buyer/GeM will not be held responsible for consequential damages such as no internet connection, no power supply, system problems, loss of electronic information, power interruption etc.
- (l) Against any bidding or RA conducted on GeM, if a bidder quotes Nil Charges/consideration, the bid shall be treated as non- responsive and will not be considered.
- (m) There shall be no Bid Security for Bids / RA having estimated value less than INR 5 lakh. For bids / RA having estimated value more than INR 5 Lakh, while finalizing e-Bid / RA, Buyer shall indicate the exact amount of Bid Security required to be submitted by bidders. Scanned copy of the same shall be uploaded by Seller in the online bid and hard copy of the same will have to be submitted directly to the Buyer within 5 working days of bid opening, failing which the bid may be treated as incomplete & may lead to rejection of the bid by buyer without making any reference to the seller.

General Terms and Conditions on GeM 4.0 (Version 1.11)

dt 21th June 2023

GeM recommends quantum of Bid Security @ 1% of estimated value of procurement. The Buyer also has the option to select Bid Security between 0.5% to 5%. The same should be valid for 45 days beyond the bid validity. No interest shall be payable upon the Bid Security / EMD or any other amounts payable by the Seller to the Buyer under the Contract. Following categories of Sellers shall however, be exempted from furnishing Bid Security:

- i. Micro and Small Enterprises (MSEs) who are holding valid Udyam Registration and are manufacturer of the offered Product or Service (Primary Product / Service - in case of bunch bid with total value wise evaluation) and give specific confirmation to this effect at the time of bid submission and claim EMD exemption and whose credentials are validated online through Udyam Registration website of Ministry of MSME and also through supporting document uploaded during bidding process and validated by the Buyer. State Government Buyers may, however, choose to exempt only MSEs from the State of Bid Inviting Authority by specifying the same in ATC of the Bid. In case no such ATC is included, eligible MSEs of all states are exempted.
- ii. Start-ups as recognized by Department for Promotion of Industry and Internal Trade (DPIIT), holding valid Startup Recognition Certificate which is to be uploaded while bidding and claiming EMD exemption and to be validated by the Buyer. Bidder to ensure that turnover for any of the financial years has not exceeded beyond limits prescribed in the certificate / Start Up scheme of DPIIT.
- iii. KVIC, ACASH, WDO, Coir Board, TRIFED and Kendriya Bhandar.
- iv. Sellers who have got their credentials verified through the process of Vendor Assessment by Vendor Assessment Agencies for the Primary Product / Primary Service for which Bid / RA has been invited and holding valid Vendor Assessment or Vendor Assessment Exemption Report / confirmation (Seller to upload VA report / VAE confirmation to be validated by the Buyer).
- v. Sellers / Service Provider having annual turnover of INR 500 Crore or more, at least in one of the past three completed financial year(s) (only applicable for bids issued on or before 31st July 2023)

General Terms and Conditions on GeM 4.0 (Version 1.11)

dt 21th June 2023

- vi. Sellers / Service Providers holding valid BIS License for the Primary Product Category whose credentials are validated through BIS database and through uploaded supporting documents to be validated by the buyer.
- vii. Central / State PSUs.
- viii. Seller / Service Provider registered with designated Agency / Authority as specified in the bid document by the Buyer – such bidder shall have to upload scanned copy of relevant valid registration document in place of Bid Security document while bidding.

Note: No EMD to be taken from exempt category of sellers even by way of specific clauses mentioned in ATC / STC by the Buyers. Such clauses which are against the GeM GTC, will be treated as null and void.

- (n) Bid Security submitted by the bidder shall be forfeited, if the bidder:
 - i. Withdraws or modify or impairs or derogates from the bid in any respect within the period of validity of its bid; or
 - ii. If it comes to notice that the information / documents furnished in its bid is false, misleading or forged; or
 - iii. Fails to furnish requisite performance security within stipulated time required as per e-bid / RA conditions.
- (o) Notwithstanding above, GeM SPV / GeM Admin also reserve the right to debar such seller from GeM portal. Such debarment shall be for minimum 3 months initially on first such offence and on repeat offence, the debarment period can be increased suitably by GeM SPV / GeM Admin. By submitting a bid on GeM, the Bidder explicitly undertakes to abide by the above clause.
- (p) Earnest money of unsuccessful bidders shall be returned within 15 days after the award of contract or expiry of bid validity, whichever is earlier. However, in case of two packet or two stage bidding, Bid securities of unsuccessful bidders during first stage i.e. technical evaluation should be returned within 15 days of declaration of result of first stage itself i.e. technical evaluation. Earnest money of successful bidder shall be returned within 15 days after receipt of Performance Security / e-PBG.
- (q) In case of RA, Start / Reference Price and Step Value of Decrement shall be indicated to the Bidders at the start of the auction. Any participating bidder can bid one or multiple Step Decrement lower than the prevailing

General Terms and Conditions on GeM 4.0 (Version 1.11)

dt 21th June 2023

Lowest Bid at that time.

- (r) The Bidder shall be able to view Bid Start Price, Bid Decrement Value, Prevailing Lowest Bid value and last Bid Placed by him. Whenever a lower price bid is received in the closing moment i.e. within 15 minutes of existing end time of Reverse Auction, the end time of reverse auction shall be extended automatically by another 15 minutes. All participant sellers of that RA shall be allowed to submit revised bid under the RA. The same process shall be repeated, if there is another lower bid received in the RA during last 15 minutes of RA.
- (s) GeM / Buyer shall not have any liability to bidders for any interruption or delay in access to the GeM site / Reverse Auction link etc, irrespective of the cause.
- (t) By creating a bid on GeM, the Buyer undertakes as under:

"I confirm that this tender document complies with the "Public Procurement (Preference to Make in India) Order, 2017, as amended from time to time" issued by DIPP and "Public Procurement Policy for Micro and Small Enterprises (MSEs) Order, 2012, as amended from time to time " issued by MoSME".

(u) Bid to RA:

While creating bid on GeM, Buyer shall have the provision to select Bid to RA option. If this option is selected by the Buyer at the time of bid creation, Sellers would be required to submit their Technical and Commercial bids before bid closure. After completion of technical evaluation by the Buyer, Reverse Auction would be conducted as per Bid to RA qualification rule selected by the buyer, which have been stated below:

1) Bid to RA with 50% elimination rule:

Reverse Auction would be conducted amongst first 50% of the technically qualified bidders arranged in the order of prices from lowest to highest. Number of sellers eligible for participating in RA would be rounded off to next higher integer value if number of technically qualified bidders is odd (e.g. if 7 bids are technically qualified, then RA will be conducted amongst L-1 to L-4). In case number of technically qualified bidders are 2 or 3, RA will be between all without any elimination. If Buyer has chosen to split the bid amongst N sellers, then minimum N sellers would be taken to RA round. In case Primary products of only one OEM are left in contention for

General Terms and Conditions on GeM 4.0 (Version 1.11)

dt 21th June 2023

participation in RA based on lowest 50% bidders qualifying for RA, the number of sellers qualifying for RA would be increased to get at least products of one more OEM (directly participated or through its reseller) if available. Further, if bid(s) of any seller(s) eligible for MSE preference is / are coming within price band of 15% of Non MSE L-1 or if bid of any seller(s) eligible for Make in India preference is / are coming within price band of 20% of non MII L-1, then such MSE / Make in India seller shall also be allowed to participate in the RA process.

2) Bid to RA with H-1 elimination rule:

Reverse Auction would be conducted amongst all the technically qualified bidders except the Highest quoting bidder. The technically qualified Highest Quoting bidder will not be allowed to participate in RA. However, H-1 will be allowed to participate in RA in following cases:

- (a) If number of technically qualified bidders are only 2 or 3.
- (b) If Buyer has chosen to split the bid amongst N sellers, and H1 bid is coming within N.
- (c) In case Primary product of only one OEM is left in contention for participation in RA on elimination of H-1.
- (d) If L-1 is non-MSE and H-1 is eligible MSE and H-1 price is coming within price band of 15% of Non-MSE L-1.
- (e) If L-1 is non-MII and H-1 is eligible MII and H-1 price is coming within price band of 20% of Non-MII L-1

After the RA process, the award of contract(s) shall be made by the buyer keeping in view the Public Procurement Policy for Micro and Small Enterprises (MSEs) Order, 2012 and Public Procurement (Preference to Make-in-India) Order, 2017 as amended from time to time.

- (v) In case any Seller / Service provider has been debarred in any particular Department / Organization, Buyers of that particular Department / Organization only shall have the right to disqualify such Sellers / Service providers at the time of technical evaluation of Bids during the period of debarment, subject to the condition that orders of such debarment has been taken with approval of Competent Authority of that Department / Organization and has been communicated to the concerned Seller / Service

General Terms and Conditions on GeM 4.0 (Version 1.11)

dt 21th June 2023

Provider before bid opening date.

- (w) GeM is an end to end on-line procurement portal and not a tender publishing portal. GeM has detailed GTC, product / service specific STC and a rich ATC library in-built in the portal which can be used to create a comprehensive bid document. Based on the available terms and conditions, there is hardly any need to add any additional conditions to be attached with any GeM bid. However, for inclusion of some clause which is considered absolutely necessary for that particular bid for reasons to be explained in detail, a provision for inclusion of additional conditions in the bid through corrigendum is available in Request Management System. Only indispensable conditions that are not covered in and are not in conflict with GeM GTC, Product / Service STC and the standard ATC library, and which are in compliance with the Govt. orders on Public Procurement and are not restrictive and not against the core principals of transparency, fairness and efficiency enshrined in GeM, can be requested through RMS ATC request for making part of GeM bid through corrigendum. Each such request has to be made only after due approval of the Competent Authority in Buyer Organization confirming that the request has been made with the approval of the Competent Authority. Buyer organization shall be solely responsible for the impact of the requested clauses on the bidding process and its outcome. The clauses which are already covered in standard ATC library available on GeM Portal, will not be allowed through RMS.
- (x) Determination of eligibility in case of products requiring BIS License: In case the bid requires availability of BIS License, bidder has to upload currently valid and operative BIS License copy (Valid on the date of bid opening) to be considered eligible. Submitted BIS License may be in the name of Bidder / OEM or in the name of the Manufacturer to whom the OEM has outsourced manufacturing of his brand of product. The name of the Brand of the offered product should be mentioned in the BIS License. BIS certificate issued under Compulsory registration Scheme for electronic products to OEM/Brand owners for the products marketed under their brand name wherein their products are manufactured at third-party manufacturing unit is valid and is allowed for participation in the bids floated on GeM. The Manufacturer's Authorization in all such cases wherein the manufacturing is done by a third party shall be issued by the Brand owner / OEM and not by the third-party manufacturing unit mentioned in the BIS certificate.
- (y) Bid Splitting: In case of critical / vital / safety / security nature of the item,

General Terms and Conditions on GeM 4.0 (Version 1.11)

dt 21th June 2023

and / or large quantity under procurement and / or urgent delivery requirements and / or inadequate vendor capacity, Buyer may decide to have more than one source of supply. In such cases Buyer may opt for Bid Splitting while creating the bid on GeM, clearly indicating the Bid Splitting ratio in which order will be split among L-1, L-2, L-3, etc. as per ratio of splitting pre- disclosed in the bid. After technical and financial evaluation, before splitting the quantity, it should be ensured by the Buyer that the L1 price is reasonable. After deciding the acceptable reasonable price, L1 would be awarded contract for at least the first / highest percentage indicated in the bid splitting ratio. For the rest of the bid quantity, the L-1 rates / lowest accepted rate will be counter offered to the next higher quoting bidder(s) for price matching. On acceptance of the counter offer, the order will be placed on next higher quoting bidder(s) for the respective percentage. In case of non- acceptance of the counter offer by the next higher quoting bidder(s), a similar offer shall be made to L3 and L4, and so on. In case counter offered rates are not accepted for ratio of splitting quantity as per bid document by any of the subsequent bidders, the left over quantity will be divided between bidders who have accepted the rates in the ratio of their originally allocated quantities subject to their confirmation and after getting consent on mutually agreed delivery schedule for the additional quantity.

5. Contract(s):

Following documents shall be construed to be part of the contract generated through GeM:

- i. Scope of supply including price as enumerated in the Contract Document.
- ii. General Terms and Conditions (GTC).
- iii. Product / Service specific Special Terms and Conditions (STC).
- iv. Product / Track / Domain Specific STC of Particular Service including its SLA (Service Level Agreement)
- v. Bid / RA specific Additional Terms and Conditions (ATC).

The Terms and Conditions stipulated in STC & SLA will supersede those in GTC and Terms and Conditions stipulated in ATC will supersede those in GTC and STC in case of any conflicting provisions.

General Terms and Conditions on GeM 4.0 (Version 1.11)

dt 21th June 2023

6. Prices:

- i. **Offer price on GeM portal:** The prices of the offered Goods or Services shall be firm and fixed at any point of time and shall be indicated in INR for each accounting unit. The Seller can choose to offer Goods or Services with uniform all inclusive unit price for deliveries at locations across India on All India basis or for specified locations selected at the time of product listing. As such, for supply of Goods contract, no additional charges such as local levies / transportation / loading unloading charges etc., shall be payable over and above the contract price. For selected freight intensive products, as notified on GeM, the Seller may quote unit price inclusive of GST with delivery charge(s) (including transportation, loading unloading and local levies) payable extra as defined in the relevant categories. In respect of items requiring installation and / or commissioning and other services (as indicated in technical details of the item), the charges for the same shall also be included in the offered price on GeM.

Once a Buyer carts a particular quantity of offered Goods / Service, during carting period as notified from time to time on GeM, rates for carted quantity, for that buyer, are frozen for the period as specified on the portal against any upward revision by seller. However, advantage of any downward revision in the offer price of carted item shall be automatically provided to the buyer.

By offering their product and fulfilling the basic need of regular updating of the stock on GeM as stipulated on the portal, the Seller agrees for the acceptance of the order placed through the Direct purchase and L1 purchase without any need for any acceptance or confirmation. The seller commits to hold the price and offer as valid till the date seller itself removes the product offer from GeM or changes the price in compliance with online price change guidelines / rule engines applicable in that category. The action as deemed fit may be initiated for the declining of the such orders as incident policy of the GeM.

- ii. **Offer price in e-bidding:** Bidder is required to indicate offer price in the price schedule as provided in the bidding document. Complete breakup of price as required must be indicated. However, evaluation of the bid shall be on the basis of total all inclusive, landed price at consignee destination (unless otherwise specified in the ATC).
- iii. **Offer price in RA:** Bidder is required to indicate total offer price.

General Terms and Conditions on GeM 4.0 (Version 1.11)

dt 21th June 2023

Evaluation of the bid shall be on the basis of total all inclusive, landed price at consignee destination (unless otherwise specified in the ATC). Successful bidder shall have to provide complete breakup of the quoted price in the required price bid format before award of contract.

- iv. **Transaction / Annual Milestone Charge:** Sellers / Buyers will have to pay Transaction Charge and / or Annual Milestone Charge, wherever applicable, as per extant Revenue Policy of GeM.

7. Performance Security and Performance:

- i. There shall be no Performance security requirement for contracts:
 - a) Placed under Direct Purchase / L-1 Purchase Option under Para (i) and (ii) of GFR rule 149;
 - b) Placed through Bids / RA with estimated bid value up to INR 5 Lakh (in case of Goods contracts); and
 - c) Placed through Bids / RA with estimated bid value up to INR 5 Lakh (in case of Services contracts)
- ii. In case of contracts placed following e-Bidding / RA, Performance Security valid for 2 months beyond the date of completion of all contractual obligations including warrantee obligations, will be obtained from the successful Bidder, for ensuring due performance of the contract. GeM recommends quantum of Performance Security @ 2% of the value of contract. The Buyer also has the option to select Performance Security between 2% to 10%. While finalizing e- Bid / RA, Buyer shall indicate the percentage (%) of Performance Security required to be submitted by successful bidders. In case of any extension of contract obligation period, the seller shall be liable to suitably extend the validity of the Performance Security.

Such Performance Security must be submitted by Seller to the Buyer within 15 days of award of contract on GeM. The payments to the seller shall become due only after receipt of Performance Security by the Buyer and verification of its genuineness. No interest shall be payable upon the Performance Security / PBG or any other amounts payable by the Seller to the Buyer under the Contract.

If the Seller fails or neglects to observe or perform any of his obligations under the contract it shall be lawful for the Buyer to forfeit either in whole or in part, the Performance Security furnished by the Seller.

General Terms and Conditions on GeM 4.0 (Version 1.11)

dt 21th June 2023

If the Seller duly performs and completes the contract in all respects the Buyer shall, refund the Performance Security, as the case may be, to the Seller within 30 days of completion of all contractual obligations by the Seller.

8. Duties & Taxes:

- i. Offer Prices on GeM shall be on all inclusive basis i.e. including all taxes, duties, local levies / transportation / loading-unloading charges etc. In the case of Bid / RA, complete break-up of the quoted price in the required price bid format shall be furnished by the Bidder, before award of contract.
- ii. Any Statutory variation in the rate of GST, taking place between the Bid Submission by seller and Bid End Date, shall be to the Seller's account. Hence, Seller must ensure that any Statutory variation in the rate of GST till Bid End Date is duly incorporated in the bid submitted by the seller. In case seller fails to incorporate the same in bid, the seller will not be eligible for claiming any change in price due to such Statutory variation.
- iii. Statutory variation in the rate of GST, taking place between the Bid end date and the original / refixed delivery period, shall be to the Buyer's account. For claiming any change in price due to such Statutory variation, the seller shall have to lodge claim before the Buyer providing documentary evidence of change in rate of GST taking place after Bid end date and the date of supply within the original / refixed delivery period along with an undertaking that the provisions of anti-profiteering clause under GST Act have been complied with.

In respect of contracts awarded under Direct Purchase and L-1 purchase, Statutory variation taking place after date of award of contract shall only be admissible subject to submission of documentary evidence and anti-profiteering compliance certificate to the Buyer. Changing Seller's offered price on GeM portal immediately after any such change in GST rates is seller's responsibility and in case of failure on part of seller, no increase shall be admissible for such changes taking place before award of contract under Direct Purchase and L-1 purchase.
- iv. No increase in price on account of statutory increase in the rate of GST taking place during the period of delivery period extension with liquidated Damages shall be admissible. Nevertheless, the Buyer shall be entitled to the benefit of any decrease in price on account of reduction in GST taking place during extended delivery period.

General Terms and Conditions on GeM 4.0 (Version 1.11)

dt 21th June 2023

- v. The Bill Form / On-line invoice shall be generated by the Seller which may inter-alia include the following confirmations from the Seller:
- a. Certified that the Goods and Services Tax (GST) charged on this Bill is not more than what is payable under the provision of the relevant Act or the Rules made there under.
 - b. Certified that the goods on which GST has been charged have not been exempted under the GST Act or the rules made there under and the charges on account of GST on these goods are correct under the provisions of that Act or the Rules made there under.
 - c. Certified that the Seller is registered with above indicated GSTIN as dealer in the State where in their Billing address is located for the purpose of GST.
 - d. The seller shall provide an undertaking that the provisions of anti-profiteering clause under GST Act have been complied with.
- vi. The on-line bill form / invoice generated on GeM is not a replacement for the GST invoice. The proper GST invoice as per requirements of GST rules shall be sent by the seller to the buyer / consignee directly along with the Goods / Services as and when deliveries are made to the consignee.
- vii. Seller shall comply with all the necessary statutory compliances, including but not limited to, GST registration in line with the extant provisions of GST Act, providing GST invoices or other documentation as per GST Law relating to the supply of Goods or Services, uploading the details of the invoices, payment of taxes, timely filing of valid statutory returns for the tax period in the GST portal, etc.

In case the Input Tax Credit of GST is denied or demand is recovered from Buyer on account of any act/ omission of the Seller in this regard, the Seller shall be liable in respect of all claims of tax, penalty and / or interest, loss, damages, costs, expenses and liability that may arise due to such non-compliance. Buyer shall have the right to recover such amount from any payments due to the Seller or from Performance Security, or any other legal recourse from the said Seller. If any tax is required to be paid by the Seller in pursuance of any demand from tax authorities, on account of Seller's suppression of facts, fraud or willful misstatement of facts while offering the products or submitting the bids, then the same shall not be passed on to Buyer through debit notes or Invoices or Supplementary Invoices and the seller shall be solely liable for payment of the same.

General Terms and Conditions on GeM 4.0 (Version 1.11)

dt 21th June 2023

9. Integrity Pact:

All the Users in GeM i.e. Seller as well as Buyer agree not to indulge in any corrupt practices including without limitation any activity or action to influence the transaction on any aspect of contract and commit to take all measures necessary to prevent corruption maintaining complete transparency and fairness in all activities related to GeM. Users agree to follow and adhere with the Integrity Pact guidelines provided on GeM Portal.

10. Guarantee and Warrantee:

- i. The Goods/Services supplied under the Contract(s) shall be in accordance with the contract specifications & quality and the Goods shall be brand new and have standard Guarantee/Warrantee for one year period from the date of final acceptance by the consignee unless otherwise specified in category specifications, specific Bid / RA. Seller, at the time of listing their product on GeM portal or offering their products against any Bid / RA, may accordingly provide longer Guarantee/Warrantee period (i.e. more than 1 year) and in such case, Guarantee/Warrantee period stipulation made in category specifications / Bid / RA document, shall prevail over standard Guarantee / Warrantee period of 1 year stipulated in these General Terms and Conditions.
- ii. Notwithstanding the fact that the Buyer or its Quality Assurance Officer may have inspected and/or approved / accepted the said Goods, it is further guaranteed that if during the said guarantee / warrantee period, the Goods be discovered not to conform to the requisite description and quality and/or not giving satisfactory performance or have deteriorated, and the decision of the Buyer in that behalf shall be final and binding on the Seller and the Buyer shall be entitled to call upon the Seller to rectify and/or replace the Goods or such portion thereof as is found to be defective by the Buyer within 7 days. Otherwise, the Seller shall pay to the Buyer such compensations that may arise by reasons of the warranty therein contained. In cases requiring Spares, the Seller guarantees that they will supply Spare Parts, if and when required on agreed basis for an agreed price for a minimum period of three years from the date of expiry of warrantee period (unless otherwise specified in STC / ATC). The agreed basis could be, including but without any limitation, an agreed discount on the published catalogue or an agreed

General Terms and Conditions on GeM 4.0 (Version 1.11)

dt 21th June 2023

percentage of profit on the landed cost. The aforesaid provisions made specifically for Goods, shall also be applicable for Services to the extent the same are practically possible.

11. Buyer / Consignee's Right of Rejection (Return Policy):

- i. The Goods delivered shall bear the self-certified Manufacturer's/Seller's Warranty/Guaranty. Buyer / Consignee shall have the right to inspect the supplied Goods themselves and/or through their appointed agency at consignee's own cost, at Consignee's site(s) after receipt and accept or reject on proper justification any consignment of the Goods received within a period of 10 days (unless otherwise specified in STC or ATC) of receipt of consignment of goods. The date of receipt shall be reckoned from the date of receipt of the Goods as notified in the Provisional Receipt Certificate (PRC) which will be issued online by consignee immediately after receipt of Goods.
- ii. In case of Service contract, the Buyer reserves right to reject the same in conformance with the terms and conditions of the agreed Service Level Agreement (SLA). However, such right to reject services offered by the Seller under the contract shall be exercised by the Buyer within 10 days (unless otherwise specified in STC or ATC) of the date of receipt of the Service. The date & time of start and completion of the Service, shall be indicated by the Seller while raising on- line invoice for a specified period of Service as per Service Level Agreement (SLA). The date of such invoice or the date of completion of the service, whichever is later shall be reckoned as date of receipt of the Service.
- iii. On Acceptance / Part Acceptance or Rejection of Goods / Services, Consignee will issue an online 'Consignee's Receipt cum Acceptance Certificate' (CRAC), which will form the basis of Payments to the Seller.
- iv. No payment shall be made for rejected goods or services. After intimation of the rejection / part rejection by the Buyer/ Consignee, the Seller shall be liable to remove / lift back such rejected Goods within 10 days without any extra charge/cost to the Buyer / Consignee failing which suitable ground rent / warehousing charges would be payable by the Seller to the Buyer /Consignee. If the Seller fails to remove / lift back such rejected Goods within reasonable time period, the Buyer / Consignee shall have the right to dispose off such rejected goods at the risk and cost of the seller.

12. Payment Authority and Payment Terms:

Payments shall be made to the Seller in the manner below:

i. For Goods:

In case of goods, 100% payment will be released within ten (10) days of issue of consignee receipt-cum-acceptance certificate (CRAC) and on-line submission of bills unless otherwise specified in STC / ATC.

ii. For Services:

In case of services, 100% payments on the basis of monthly (unless otherwise specified) bills will be paid within ten (10) days of issue of consignee receipt- cum- acceptance certificate (CRAC) and on-line submission of bills unless otherwise specified in STC / ATC.

13. Terms of Delivery:

All the Goods or Services in the GeM shall be offered on Free Delivery at Site basis including loading/unloading. In respect of items requiring installation, commissioning and other services in the scope of supply (as indicated in respective product category specification / STC / ATC), the cost of the same shall also be included in the offer price.

14. Delivery Period

Seller shall indicate the quantity which can be supplied over the specified time period(s). The Seller would offer these details, which would constitute the part of the awarded Contract(s) in the GeM and would make a binding Contract between the Seller & the Buyer. Any modification thereto shall be mutually agreed and incorporated in the Contract. This Delivery Period/Time shall be deemed to be essence of the Contract and delivery must be completed not later than such date(s).

15. Extension of Delivery Period and Liquidated Damages:

Buyer may, on the request of the Seller or otherwise, extend the delivery date suitably subject to the following conditions:

General Terms and Conditions on GeM 4.0 (Version 1.11)

dt 21th June 2023

- i. The original Delivery Period may be re-fixed by the Buyer without any Liquidated damages subject to Force Majeure conditions mentioned below and also on the ground/reasons of delay attributable to the Buyer / Consignee.
- ii. For other cases, provided the price trend is not lower, the Delivery Period may be suitably extended for which an amount equal to the Liquidated Damages for the extended period(s) for delay in the supply of the Goods/Services after the expiry of contract delivery period /re-fixed delivery period, shall be recovered from the Seller as mentioned hereinafter for the extended period. No increase in price on any ground after the original/re-fixed delivery date shall be admissible during such extended period(s). Nevertheless, the Buyer shall be entitled to the benefit of any decrease in price on account of reduction in GST taking place during extended delivery period.
- iii. **Liquidated Damages:** If the Seller/Service Provider fails to deliver any or all of the Goods/Services within the original/re-fixed delivery period(s) specified in the contract, the Buyer will be entitled to deduct/recover the Liquidated Damages for the delay, unless covered under Force Majeure conditions aforesaid, @ 0.5% of the contract value of delayed quantity per week or part of the week of delayed period as pre-estimated damages not exceeding 10% of the contract value of delayed quantity without any controversy/dispute of any sort whatsoever.
- iv. **Force Majeure Conditions:**
If at any time during the continuance of the Contract, the performance in whole or in part by either party of any obligation under this Contract shall be prevented or delayed by the reasons of any war, hostility, acts of the public enemy, epidemics, civil commotion, sabotage, fires, floods, explosion, quarantine restrictions, strikes, lockouts or act of God (but not including negligence or wrongdoing, predictable/seasonal rain) provided notice of happening of such event duly evidenced with documents is given by one party to the other within 10 days from the date of occurrence thereof, neither party shall be by reasons of such event, be entitled to terminate the Contract nor shall either party have any claim for damages against the other in respect of such non-performance or the delay in performance, and deliveries under the contract shall be resumed as soon as practicable after such event has come to an end or ceased to exist, and the decision of the Buyer as to whether the deliveries have been so resumed or not, shall be final and conclusive, Provided further that if the performance in whole or

General Terms and Conditions on GeM 4.0 (Version 1.11)

dt 21th June 2023

part of any obligation under this contract is prevented or delayed by reason of any such event for a period exceeding 90 days, either party may at its option terminate the contract provided also that the Buyer shall be at liberty to take over from the Seller at a price to be fixed by Buyer, which shall be final, all unused, undamaged and accepted material, bought out components and Goods in course of manufacture in the possession of the Seller at the time of such termination or such portion thereof as the Buyer may deem fit excepting such materials, bought out components and Goods as the Seller may with the concurrence of the Buyer elect to retain.

16. Dispute resolution between the buyer and the seller / service provider

16.1 Conciliation:

- i. The Parties (i.e., the Buyer and the Seller/ Service Provider) undertake that any conflict or dispute that may arise between them shall first be dealt with in the manner stated below, irrespective of any other recourse, which any Party may have in law or in equity.
- ii. In the event of any conflict or dispute arising out of or in connection with the Contract placed through GeM, the Parties shall endeavor to settle such disputes amicably. If a dispute is not resolved within 30 (thirty) days after a written notice of any dispute by one Party to the other, the same shall then be resolved through the mechanism of a Dispute Resolution Committee. This Dispute Resolution Committee shall comprise of representatives of both the Buyer and the Seller / Service Provider and shall be chaired by the Primary User of the Buyer organization/department or any other person as authorized by the Primary User. If the Dispute Resolution Committee is not able to resolve the matter within 30(thirty) days of its formation, the dispute shall then be referred to Arbitration.

16.2 Arbitration:

In the event of any conflict / dispute arising out of or in connection with the Contract placed through GeM, which has not been resolved in accordance with the procedure laid down in Clause 16.1 above, the aggrieved Party may invoke Arbitration by sending a written notice to the other Party. The procedure for appointment of the Arbitral Tribunal shall be as follows.

General Terms and Conditions on GeM 4.0 (Version 1.11)

dt 21th June 2023

- i. In cases where the total value of the Contract is less than INR 1, 00, 00,000/- (Indian Rupees One Crore only) the same shall be referred to a sole arbitrator mutually appointed by both the Parties.
 - ii. Where the total value of the Contract exceeds INR 1,00,00,000/- (Indian Rupees One Crore only), the arbitration shall be conducted by a quorum of three arbitrators. Each party shall be entitled to appoint an arbitrator and the two party-appointed arbitrators shall within 30 (thirty) days from their nomination, appoint a third arbitrator i.e., the Presiding Arbitrator.
 - iii. In case of failure to appoint the Presiding Arbitrator within a period of 30 (thirty) days from the date of nomination of the two arbitrators by the respective parties, the aggrieved party shall approach the High Court (under whose jurisdiction the principal place of business of the Buyer department/ organization is located) to appoint the Presiding Arbitrator as per the provisions of the Arbitration and Conciliation Act, 1996 (as amended up to date).
 - iv. The arbitration shall be conducted in the English language. Arbitration proceedings can also be conducted online, as per the discretion of the Arbitral Tribunal.
 - v. The cost of the Arbitration shall be equally borne by both the Parties.
 - vi. The award of the arbitrator shall be final and binding on the Parties to the Contract. The arbitration shall be governed by the Arbitration and Conciliation Act, 1996, as amended up to date. The seat of arbitration shall be at the place where the principal place of business of the Buyer department / organization is located.
 - vii. The Contract shall be interpreted and governed in all respects in accordance with the laws of India. All disputes in connection with or arising out of the Contract, shall be subject to the exclusive jurisdiction of the Court within the local limits of whose jurisdiction principal place of business of the Buyer department / organization is located.
- 16.3** Both the Parties understand and agree that GeM being an Intermediary cannot be made a party to any dispute in connection with or arising out of the Contract and/or the arbitration proceedings between the Parties

General Terms and Conditions on GeM 4.0 (Version 1.11)

dt 21th June 2023

16.4 Where the arbitral award is for the payment of money, no interest shall be payable on whole or any part of the money for any period till the date on which the award is made.

17. Laws Governing the Contract:

- i. The contract shall be governed by the laws of India for the time being in force.
- ii. Irrespective of the place of delivery, the place of performance or the place of payment under the contract, the contract shall be deemed to have been made at the registered address of the Buyer and / or Primary Buyer.
- iii. Jurisdiction of Courts: The courts of the place from where the contract has been made shall alone have jurisdiction to decide any dispute arising out of or in respect of the contract.
- iv. GeM SPV would not be a party to any such litigation.
- v. In case any Seller / Service provider makes GeM a party / respondent in any case involving any dispute between Buyer and Seller arising out of a concluded contract or arising out of bidding process initiated / concluded by the Buyer on GeM, it would be obligatory on the part of the Buyer to represent GeM also through their Counsel / Lawyer in the proceedings before the legal authority and ensure timely filing of replies / affidavits, etc. provided by GeM also through their Counsel / Lawyer before the concerned legal authority during the course of litigation. A standard reply on behalf of GeM, covering following aspects shall be incorporated in all replies / affidavits filed by the Buyer in such cases:

“Government e-Marketplace is a National Public Procurement Portal; an end-to-end online Marketplace for Central and State Government Ministries / Departments, Central & State Public Sector Undertakings (CPSUs & SPSUs), Autonomous institutions and Local bodies, for procurement of common use goods & services. Prima facie, the dispute in the present case appears to be between the Buyer and Seller arising out a contract placed / bid created by the Buyer on Government e-Marketplace. As per Clause 16, Clause 17 and Clause 22 of the General Terms and Conditions of Government e-Marketplace (duly accepted by the Buyer and Seller), GeM is not to be made a party to any dispute between the Buyer and the Seller. As such Government e-Marketplace is liable to be deleted from the array of parties.

General Terms and Conditions on GeM 4.0 (Version 1.11)

dt 21th June 2023

In light of the above, we request your goodself to kindly delete Government e-Marketplace from the array of parties.”

18. Limitation of Liability:

Notwithstanding anything contained in this agreement, no party will be liable for any special, incidental or consequential damages arising out of or in connection with this agreement or any breach hereof (including for loss of data or profits, or cost of cover), whether or not such party has been advised of the possibility of such damages, and whether under a theory of contract, tort (including negligence) or otherwise; except for liabilities arising out of any violation, misappropriation or infringement of a party's intellectual property rights, or from a breach by either party of its obligation. In no event will either party's aggregate liability arising out of or in connection with this agreement or any breach hereof (whether under a theory of contract, tort (including negligence), warranty or otherwise) exceed the Contract Price entered into the Contract between Buyer and Seller.

19. Termination for Default:

If the seller does not perform its obligations within the Delivery Period / Date mentioned in the Contract, the same would constitute the breach of the Contract and the Buyer shall have the right to Cancel or Withdraw the Contract for the unsupplied portion after the expiry of the original, extended or re-fixed delivery date or period stipulated in the Contract. Such cancellation of contract on account of non - performance by the Seller would entitle the Buyer to forfeit the performance security besides other actions such as downgrading the Seller's rating or debarment from the GeM for specified period as decided by GeM on merits.

20. Closure of Transaction:

After satisfactory completion of all the obligations under the Contract and release of payments for the goods / services, the transaction shall be treated as closed.

21. Grounds for Administrative Action

- i) Administrative actions may be taken by GeM against the Buyer or the Seller either suo-moto on the basis of the platform mechanisms identified through analytics or on the basis of a complaint or report made to GeM by any

General Terms and Conditions on GeM 4.0 (Version 1.11)

dt 21th June 2023

stakeholders or any third party information or upon Court order, inter –alia, for non-adherence to the GeM Website Policies including Terms and Conditions and the Incident Management Policy published on the GeM Website.

ii) The Seller would be liable for administrative actions such as suspension / debarment / removal from GeM, if they fail to abide by any of the Website Policies including the terms & conditions stipulated in this document and/or on anyone or more of the following grounds:

- (a) Listing the products/services not in the relevant categories and/or listing the same with vague/conflicting product specifications/details and irrelevant product photographs.
- (b) Offering Goods / Services without having proper authorization
- (c) Supplies goods of inferior/ substandard quality
- (d) Supplies or offers to supply refurbished or counterfeit or fake products
- (e) Withdraws or modify or impairs or derogates from the bid in any respect within the period of validity of its bid;
- (f) Seller furnishes inaccurate, false, misleading or forged or fails to furnish any information / documents, within the prescribed time limits, to GeM or to a Buyer, including during e-Bidding/ RA process;
- (g) Fails to furnish requisite performance security within stipulated time required as per e-bid / RA conditions;
- (h) Fails to update GeM about any change in information furnished within the prescribed time limits;
- (i) Executes services without conforming to requirement given in Service Level Agreement (SLA);
- (j) Fails to execute an order/ contract or fail to execute it satisfactorily
- (k) Is declared bankrupt or insolvent;
- (l) Fails to produce the requisite documents/ information during the course of inspection / assessment at any stage;
- (m) Performs any activity which is listed as prohibited activities on GeM.

General Terms and Conditions on GeM 4.0 (Version 1.11)

dt 21th June 2023

- (n) On any other ground for which, in the opinion of GeM, the retention of the seller or any of its offered product in GeM is not in Public Interest.

Note: The grounds mentioned above are illustrative only. Users are also advised to read the list of prohibited activities published on the website.

- iii) Notwithstanding anything contained in the GTC, GeM reserves the right to cancel or annul the registration of any Seller or remove any of the Good/Services listed by a Seller on the GeM Website to comply with any provision of the Applicable Laws and / or Court Orders.
- iv) GeM may take an administrative action in terms of the GeM Website Policies against a Buyer which may include reporting of any breach or misconduct to the Buyer Primary User and/or to the competent authority and GeM reserves the right to review the rating of such Buyer, and / or block Buyer's account for such time as considered appropriate by GeM.
- v) The Seller and the Buyer understands that the grounds for administrative action as provided under the Contract are only indicative and additional grounds may be provided under the GeM Website Policies including the Incident Management policy. The Seller/ Buyer warrants to abide by all additional grounds as may be specified by GeM in the GeM Website Policies from time to time.

22. Role of Government E- Marketplace - Gem SPV

Government e-Marketplace – GeM SPV is the owner of the GeM portal which monitors and supervises all the business transactions on the portal. The role and responsibilities of the company are as under:

- 22.1 To develop, operate and maintain technology driven e-marketplace, through a Managed Service Provider (MSP), to be used by government agencies for procurement of various goods and services in a transparent and efficient manner.
- 22.2 Overall supervision and monitoring of GeM portal operations, policy management, finalization and implementation of various business processes and work flows in adherence with the applicable law and executive orders issued from time to time . To provide tools for on-line Bidding, on-line Reverse Auction and Business Analytics Tools on GeM.

General Terms and Conditions on GeM 4.0 (Version 1.11)

dt 21th June 2023

- 22.3 To work continuously for improvements in the Business Processes and Work Flows for various activities / functions on GeM based on feedback from various stakeholders to enhance transparency, efficiency, competitiveness, equality, economy in procurement of goods and services by government agencies.
- 22.4 To finalize General Terms and Conditions for sale and purchase of Goods and Services on GeM, Product / Service Specific Special Terms and Conditions, Special Terms and Conditions for Bunching of Goods / Services, Bid Specific Special Conditions, Project Specific Special Conditions etc.
- 22.5 To finalize, upload and approve Technical Specification Frameworks for various item / service categories on GeM and to monitor conformity of offered products to the larger framework so finalized and uploaded.
- 22.6 To decide addition / deletion of any of the offered product(s)/Product category (ies) and their framework of technical parameters on GeM.
- 22.7 To work and co-ordinate with different Organizations/Departments / Agencies for integration of their Databases with the GeM portal on real time basis for the purpose of verification/authentication of data entries made by stakeholders.
- 22.8 To offer and manage Demand Aggregation services for identified categories across buyers with assured reasonability of price, recommending for placement of orders by individual buyers
- 22.9 To co-ordinate with MSP for conducting workshops for the various Stakeholders in capacity building and in change management associated with the implementation of technology enabled procurement process.
- 22.10 To monitor MSP that the Buyers, Sellers and Service Providers are being assisted properly by them to onboard their goods and services on the GeM platform.
- 22.11 To identify and offer services of 3rd parties for Vendor Assessment relating to technical, financial capacity, past experience of sellers including manufacturing / testing facilities / quality control arrangement(s) of manufacturing premises and/or any of the premises related to manufacturing process of products / services offered by the seller / service provider on GeM.

General Terms and Conditions on GeM 4.0 (Version 1.11)

dt 21th June 2023

- 22.12 To identify and offer services of 3rd parties for testing and certifying the quality of the product offered/ supplied, through documents, test reports/ certificates, testing at any independent lab or through inspection/testing by its authorized representative/s at firm's premises or at user's premises, that buyer choose to use.
- 22.13 Overall monitoring and management of Call Centre/Help desk operations being provided by the MSP.
- 22.14 Removal / debarring the Sellers/Buyers and Goods / services in GeM.
- 22.15 Management of complaints and their redressal mechanism in GeM (not disputes related to concluded contracts).
- 22.16 To identify, integrate and manage MoUs with verifying, certifying and validating entities across government(s) and also professional agencies to reinforce the online paperless, contactless and cashless system on GeM.
- 22.17 To issue Notices, Circulars, News, Flashes, Updates etc in GeM
- 22.18 Reporting and MIS mechanism in GeM
- 22.19 Any other related activities in the GeM
- 22.20 In exceptional circumstances, for ensuring propriety of procurement processes or to obviate possible misuse of GeM functionalities, GeM SPV as GeM Admin may keep any Bidding / RA process on hold for some time as considered appropriate.
- 22.21 To take approved User Charges from Buyers and Sellers for the various transactions on the GeM portal as decided and notified on the GeM portal.

23. Miscellaneous Provisions

- 23.1 **Assignment:** Users understand and agree that the GTC, STC and ATC provisions, rights and obligations granted by GeM are non-transferrable or assignable by the User to any third party, without the prior written consent of GeM.

If same is permitted by GeM, all the conditions, rights and obligations of the GTC or any on-going STC/ATC shall also be binding upon such third party assignee besides the User.

General Terms and Conditions on GeM 4.0 (Version 1.11)

dt 21th June 2023

23.2 Indemnification: The Seller shall at all time indemnify Buyer against all suits and claims which may be made in respect of the goods/services for infringement of any right protected by patent, registration of designs or trade mark. Provided always that in the event of any claim and suit in respect of alleged breach of patent, registered designs or trade-mark being made against the Buyer, the Buyer shall notify the Seller/ Service Provider of the same who shall at its own expense either settle any such dispute or conduct and litigation that may arise there from.

Buyers and Sellers agree to indemnify, defend and hold harmless GeM, its officials, Managed Service Provider (herein after individually and collectively referred to as "indemnified parties") from and against any and all losses, liabilities, claims, suits, proceedings, penalties, interests, damages, demands, costs and expenses (including legal and other statutory fees and disbursements in connection therewith and interest chargeable thereon) asserted against or incurred by the indemnified parties that arise out of, result from, or in connection with

23.2.1 Breach of the contract(s); or

23.2.2 Any claims made by any third party due to, or arising out of, or in connection with, use of the Website; or

23.2.3 Any claim made by any third party regarding content/information or materials provided by Seller cause any damage to a third party; or arising out of, or in connection with, use of the Website.

23.2.4 Violation of any intellectual property rights or any other rights.

Once GeM notifies the Buyer/ Seller of such claims, they shall defend and indemnify GeM for the same. Further, in no case they shall compromise or settle any claim or admit any liability on the part of GeM without the express or prior written consent of GeM which can be withheld or denied or modified by GeM in its sole discretion or as per the Applicable Laws.

23.3 Severability: If due to any change in Applicable laws, certain part of the GTC or any applicable STC or any provisions of the GeM policies or portions thereof, becomes unenforceable, the remaining provisions shall

General Terms and Conditions on GeM 4.0 (Version 1.11)

dt 21th June 2023

continue in full force and effect so as to give effect to the intent of the parties.

23.4 Website Terms and Policies Updation: Buyers and Sellers are advised to check the website terms and conditions as well as policies such as Privacy Policy and the Website Disclaimer at all times, as GeM may update the Website and such terms from time to time.

23.5 List of Prohibitive Activities (Suggestive and Non-Exhaustive):

LIST OF PROHIBITIVE ACTIVITIES: The following is an indicative list of prohibitive activities which the Buyers and the Sellers registered on GeM platform shall not perform on the GeM platform. A breach of any of the prohibited activities shall give the right to GeM under the Applicable Laws or in terms of these GTC or the GeM Website Policies to take administrative action which may include partial or permanent disabling of account on GeM Website, debarment etc. Additionally, GeM may remove any non-compliant information and reserves the right to preserve and share with the appropriate authority such information and associated records for investigation purposes. The Buyer and the Seller understand that this list is only indicative and additional activities may be prohibited under the GeM Website Policies. The Buyers and the Sellers shall undertake to provide their full support that may be required by GeM for removal and disabling of the non compliant information. The prohibited activities include:

- (i) Indulging in cyber-crime or other criminal activities which can become a threat to GeM, GeM Website, to the Government of India or to any State Government or Government Agency.
- (ii) Advertising, exhibiting, representing, publishing, pronouncing, listing, delivering, offering to sell or selling any kind of Goods/Services which can cause any kind of infringement or disparagement of intellectual property rights.
- (iii) Selling refurbished, counterfeit and/or fake Goods / Services under a brand or misusing others brand name.
- (iv) Offering to sell or selling above the MRP any Goods or misrepresenting the MRP.
- (v) Delivering some other Goods or Services instead of the Goods or Services Contracted for or delivering empty parcels or used Goods in breach of the terms of the Contract.
- (vi) Offering to sell or selling freebies which are 'Not for sale' Goods.

General Terms and Conditions on GeM 4.0 (Version 1.11)

dt 21th June 2023

- (vii) Listing of the Goods on GeM Website without authorization to sell Goods manufactured by the OEM in open market or without proper authorisation, if any required, for providing the Service.
- (viii) Listing of the Goods or Services is done on GeM Website without guarantee/warranty or without a genuine guarantee/warranty.
- (ix) Listing of the Goods or Services in irrelevant or inappropriate categories or with vague or conflicting specifications or description (including descriptive or pictorial description).
- (x) The Buyer /Seller registering on GeM and/or offering or buying the Goods and/or Services and/or participating in e-bidding/reverse auction on GeM, without the requisite authorization to enter into contract on behalf of the concerned legal entity. Failing which such individual(s) shall be individually liable for its actions and also for any liability arising out of such actions.
- (xi) If any Seller has been debarred from GeM then such Seller or their authorized sellers shall also not be permitted to register and offer/sell their products on GeM and / or participate in Bids / RA on GeM.
- (xii) Using GeM prices for making procurement outside GeM Portal.
- (xiii) Splitting of demands by creating multiple Bids/RAs of same goods / services or making repeated procurements of same goods/services through Direct Purchase / L-1 buying as per rule 149(i) and 9(ii) of GFR- 2017.
- (xiv) Uploading goods / services containing information that —
 - (a) Belongs to another person and to which the user does not have any right to;
 - (b) Is grossly harmful, harassing, blasphemous, defamatory, obscene, pornographic, paedophilic, libellous, invasive of another's privacy, hateful, or racially, ethnically objectionable, disparaging, relating or encouraging money laundering or gambling, or otherwise unlawful in any manner whatever;
 - (c) Harm minors in any way;
 - (d) Infringes any patent, trademark, copyright or other proprietary rights;
 - (e) Violates any law for the time being in force;

General Terms and Conditions on GeM 4.0 (Version 1.11)

dt 21th June 2023

- (f) Deceives or misleads the addressee about the origin of such messages or communicates any information which is grossly offensive or menacing in nature;
- (g) Impersonate another person;
- (h) Contains software viruses or any other computer code, files or programs designed to interrupt, destroy or limit the functionality of any computer resource;
- (xv) Threatens the unity, integrity, defence, security or sovereignty of India, friendly relations with foreign states, or public order or causes incitement to the commission of any cognizable offence or prevents investigation of any offence or is insulting any other nation.
- (xvi) Achieving or trying to achieve illegal access to features on GeM Website not specifically authorised or exceeding the scope of authorized access to or other features of the GeM Website;
- (xvii) Obstructing or causing GeM to lose (in whole or in part) the services provided by any internet service provider ("ISPs") or carrying out any cyber security incident;
- (xviii) Sending unsolicited emails, bulk messaging, auto messaging, junk email, spam and like.

24. Incident management Policy on GeM:

GeM is a trust based system and self- declaration is the key, along with a strong automated process to penalize any deviant behaviour on part of Sellers / Buyers. For this purpose, deviations from the terms and conditions of procurement on GeM, including general terms and conditions, special and additional terms and conditions and any other relevant Government rules and guidelines, are termed as “deviation”. A deviation can occur while listing the products on GeM, at pre- contract stage, during bidding or at post contract stage on GeM. The mechanism for reporting and initiating action on such deviation has been detailed in the Incident Management Policy available on GeM portal under Resources. All stakeholders of GeM shall be bound by the actions as detailed in the Incident Management Policy.

All administrative actions under this Incident management Policy, taken by GeM against any of the stakeholders shall not cause any limitation on the legal and/or contractual remedies including any financial recoveries, available to Buyers/Sellers under the Terms and Conditions of contract

General Terms and Conditions on GeM 4.0 (Version 1.11)

dt 21th June 2023

and/or GeM policies. In case the Buyer / Seller choose to pursue any of these remedies, GeM shall not be made party to such proceedings / remedial actions taken by Buyer/Seller under the contractual provisions.

If any individual has registered multiple proprietorship concerns as separate seller entities on GeM under different business names (with same PAN), all such Seller entities would be equally impacted by the action taken against any one of such entities for his default / deviation under incident management policy.

All the allied firms, as per definition of DOE's OM number F.1/20/2018-PPD dated 02/Nov/2021, will be equally impacted by the action taken against any one of such entities for the default / deviation under Incident Management Policy.

Following is the definition of allied firms:

All concerns which come within the sphere of effective influence of the debarred firms shall be treated as allied firms. In determining this, the following factors may be taken into consideration:

- a. Whether the management is common.
- b. Majority interest in the management is held by the partners or directors of banned / suspended firm.
- c. Substantial or majority shares are owned by the banned/ suspended firm and by virtue of this it has a controlling voice.
- d. Directly or indirectly controls or is controlled by or is under common control with another bidder.
- e. All successor firms will also be considered as allied firms.

25. Use of Aadhaar Number in GeM:

Purpose of the Aadhaar authentication in GeM is to identify the user using eKYC. GeM has provisioned the option for Sellers and Buyers to provide virtual Aadhaar ID instead Aadhaar number. GeM receives First Name, Last Name, Mobile Number, Email ID, DOB and Gender details. It is used to link the mobile number with the user who is registering on GeM; on which subsequently OTP is sent for achieving the property of non-repudiation in different artefacts / documents generated on GeM. GeM has

General Terms and Conditions on GeM 4.0 (Version 1.11)

dt 21th June 2023

provisioned an alternative Identity Information option through PAN based verification to Sellers.

26. Compliance of Restrictions under Rule 144 (xi) of GFR 2017 as per DOE Order (Public Procurement No.4) dated 23.02.2023 (as amended from time to time)

Restrictions on procurement from a bidder of a country which shares a land border with India

- I. a) Any bidder from a country which shares a land border with India will be eligible to bid in this tender, whether of goods or services (including consultancy services and non-consultancy services), only if the bidder is registered with the Competent Authority.
b) Further, any bidder (including an Indian bidder) who has a Specified Transfer of Technology (ToT) arrangement with an entity from a country which shares a land border with India will be eligible to bid in any procurement whether of goods or services (including consultancy services and non-consultancy services) only if the bidder is registered with the Competent Authority.
- II. The requirement of registration for bidders covered by I (b) above will be applicable for all procurements where bids are issued / published after 01.04.2023.
- III. "Bidder" (Seller / Service Provider) means any person or firm or company, including any member of a consortium or joint venture (that is an association of several persons, or firms or companies), every artificial juridical person not falling in any of the descriptions of bidders stated hereinbefore, including any agency branch or office controlled by such person, participating in a procurement process.
- IV. "Bidder (or entity) from a country which shares a land border with India" for the purpose of the Order means:
 - a. An entity incorporated, established, or registered in such a country; or
 - b. A subsidiary of an entity incorporated, established, or registered in such a country; or
 - c. An entity substantially controlled through entities incorporated, established, or registered in such a country; or

General Terms and Conditions on GeM 4.0 (Version 1.11)

dt 21th June 2023

- d. An entity whose beneficial owner is situated in such a country; or
 - e. An Indian (or other) agent of such an entity; or
 - f. A natural person who is a citizen of such a country; or
 - g. A consortium or joint venture where any member of the consortium or joint venture falls under any of the above
- V. The beneficial owner for the purpose of (iv) above will be as under
- 1. In case of a company or Limited Liability Partnership, the beneficial owner is the natural person(s), who, whether acting alone or together, or through one or more juridical person, has a controlling ownership interest or who exercises control through other means. Explanation—
 - a. "Controlling ownership interest" means ownership of or entitlement to more than twenty-five per cent. of shares or capital or profits of the company;
 - b. "Control" shall include the right to appoint majority of the directors or to control the management or policy decisions including by virtue of their shareholding or management rights or shareholders agreements or voting agreements;
 - 2. In case of a partnership firm, the beneficial owner is the natural person(s) who, whether acting alone or together, or through one or more juridical person, has ownership of entitlement to more than fifteen percent of capital or profits of the partnership;
 - 3. In case of an unincorporated association or body of individuals, the beneficial owner is the natural person(s), who, whether acting alone or together, or through one or more juridical person, has ownership of or entitlement to more than fifteen percent of the property or capital or profits of such association or body of individuals;
 - 4. Where no natural person is identified under (1) or (2) or (3) above, the beneficial owner is the relevant natural person who holds the position of senior managing official;
 - 5. In case of a trust, the identification of beneficial owner(s) shall include identification of the author of the trust, the trustee, the beneficiaries with fifteen percent or more interest in the trust and any other natural person exercising ultimate effective control over the trust through a chain of control or ownership.

General Terms and Conditions on GeM 4.0 (Version 1.11)

dt 21th June 2023

- VI. An Agent is a person employed to do any act for another, or to represent another in dealings with third person.
- VII. The registration shall be valid at the time of submission of bid and at the time of acceptance of bid.
- VIII. If the bidder was validly registered at the time of acceptance / placement of order, registration shall not be a relevant consideration during contract execution.
- IX. “Transfer of Technology” means dissemination and transfer of all forms of commercially usable knowledge such as transfer of know-how, skills, technical expertise, designs, processes and procedures, trade secrets, which enables the acquirer of such technology to perform activities using the transferred technology independently.

Any false declaration and non-compliance of the above would be a ground for debarment and further legal action in accordance with law.

27: Caution Money Deposit:

- (i) All sellers on GeM are required to deposit a one-time amount as under as caution money:
 - 1. Seller Turnover less than 1 Crore: INR 5,000/-
 - 2. Seller Turn over > 1 Crore but < 10 Crore: INR 10,000/-
 - 3. Seller Turn over > 10 Crore: INR 25,000/-
- (ii) The above caution money shall remain at the disposal of GeM SPV. This can be forfeited in part or in full (as per approval of CEO (GeM)) in following circumstances:
 - (a) Failure of the seller in executing any GeM contract or if the Seller fails or neglects to observe or perform any of his obligations under the contract (applicable only in respect of contracts that did not have provision of Performance Security).
 - (b) Withdraws any bid submitted on GeM within the period of validity of the bid.
 - (c) Fails to furnish requisite performance security as per GeM e-bid / RA conditions.

General Terms and Conditions on GeM 4.0 (Version 1.11)

dt 21th June 2023

- (iii) In case the Caution Money of any seller is forfeited in full or part and his caution money deposit goes below the threshold indicated in para 1 above, the seller account shall be put on hold till the seller re-coups the caution Money account to required value. Seller's stock will become zero for all categories and seller will not be allowed to update anything till the caution money is topped up to minimum required amount.
- (iv) Forfeiture of caution money as per above shall be over and above any other actions taken against such sellers as per GeM Incident Management Policy and shall be without any prejudice to the rights and remedies available to GeM and / or Buyer as per provisions of the relevant contracts.

28: CMS 3.0 and OEM - Reseller responsibility matrix:

GeM has implemented enhanced Catalogue Management System (CMS 3.0) on GeM Portal. The Primary Objective of CMS 3.0 is to offer higher level of ownership & accountability to OEMs & its approved Resellers while maintaining Efficiency, Transparency & Inclusiveness of GeM. Complete and detailed Obligations and Privileges matrix of the different stakeholders in different quadrants is given in CMS document available on GeM Portal and OEMs and Resellers are bound to operate on GeM in compliance with the CMS document as updated from time to time.

- 1. CMS Quadrant 1 (CMS Q1):** Product offers in categories under Q1 will be solely offered by GeM validated OEMs. OEM shall be exclusively responsible for maintaining currency and sanity of catalogue and its offer in the Market Place. OEM shall be absolutely and exclusively responsible and be legally liable for sanity and quality of offers including Warranty and After Sales Service obligations.
- 2. CMS Quadrant 2 (CMS Q2):** OEMs as well as pre-Authorized Resellers can offer products in Q2. OEMs shall operate Market Place subject to providing its complete list of Open market authorized sellers along with formal commitment to list and maintain all appropriate and current Product Catalogue for pairing by its Resellers. OEM shall be absolutely and exclusively responsible and be legally liable for sanity and quality of catalogues including Warranty and After Sales Service obligations. Authorize Resellers shall be responsible for Pairing their offer with the already existing Product Catalogue created by the OEM. However, resellers can Update their

General Terms and Conditions on GeM 4.0 (Version 1.11)

dt 21th June 2023

Offer Price, Stock and Delivery Locations solely at their own discretion and shall be solely responsible for the same.

3. CMS Quadrant 3 (CMS Q3): Catalogue creation in categories under Q3 can be from OEMs and/or their Resellers concurrently. In case OEM has not created Product Catalogue, Resellers of OEMs are also permitted to do the same. However, OEM can manage resellers and catalogues (when registered on GeM and taken OEM Dashboard). Further, OEM shall be responsible for the following:

- Maintain the Catalogue by adding / updating the Products / Services, Specifications, MRP & Offers specific to Product / Service
- Provide list of all its resellers and shall respond as per Service Level commitments to queries relating to Product Specifications / Services and / or verification of a Reseller, failing which they shall own responsibility of all and every fall out, by any act of such Resellers and / or offer of an insane catalogue.
- Validating & verifying the Catalogue uploaded by Reseller
- Assume all responsibility and legal liability for sanity and quality of offers including Warranty and After Sales Service obligations

However, resellers can update their Offer Price, Stock and Delivery Locations solely at their own discretion and shall be solely responsible for the same.

4. CMS Quadrant 4 (CMS Q4): Catalogue creation in categories under Q4 can be done by OEMs as well as by any Reseller also. However, OEM (when registered on GeM and taken OEM Dashboard) shall be responsible for Validating & verifying the Catalogue uploaded by Reseller, Maintaining the Catalogue by adding/updating the Specifications, MRP etc. specific to catalogue. However, there is no requirement of any endorsement or authorization of the reseller by the OEM. Resellers can Update their Offer Price, Stock and Delivery Locations solely at their own discretion and shall be solely responsible for the same. Reseller will also be responsible for providing Replacement Warranty in case of Q4 products and Buyer shall not be required to take up with OEM for any warranty claims.

General Terms and Conditions on GeM 4.0 (Version 1.11)

dt 21th June 2023

- 5. CMS (Special Category):** The Special Category is a specialized segment outside the four quadrants for select few categories that require a customized behavior such as Self-Help Groups (SHG) categories.

In Q3 and Q4, in case of re-sellers, if the reseller has not been approved as an authorized re-seller by the OEM on GeM, the re-seller is required to give an undertaking as under while uploading the product, while accepting any order and while participating in any bid:

“I hereby undertake that I have made arrangements for getting the stores from authorized distributor / dealer / channel partner of the OEM of the offered product. At the time of delivery of goods, I will provide necessary chain documents to prove that the supplied goods are genuine and are being sourced from authorized distributor / dealer / channel partner of the OEM. In case of any complaint from the Buyer / Consignee about genuineness of the supplied products, I shall be responsible for providing genuine replacement supplies.”

By uploading any product on GeM or accepting any order on GeM or by participating in any bid on GeM, the re-seller is deemed to have given above undertaking and is liable for compliance of the same.

Further in view of the on-line verification of Seller credentials by the OEM on GeM platform, there is no need for Buyer to ask for or insist on furnishing of OEM authorization in bids in respect of “OEM verified Catalogue” offered by "OEM Verified Reseller". OEM authorization is also not required to be sought and checked by Buyers in case of bids for products in Q1 or Q2.

29: One Bid per Bidder

A Bidder shall submit only one bid in a particular bidding process (unless otherwise allowed in the bid STC / ATC conditions). In case of a holding company having more than one independent manufacturing units or more than one unit having common business ownership / management, only one unit should quote. Similar restrictions shall apply to closely related sister companies. Bidder's sister/ Associated/ Allied concern(s) participating or applying against the same tender, shall lead to disqualification of Bidders. Sister/ Associated/ Allied concern means a company, society, partnership firm or proprietorship firm having one or more common persons as Director/

General Terms and Conditions on GeM 4.0 (Version 1.11)

dt 21th June 2023

Partner/ Member/ Owner. A Bidder who submits more than one bid will cause all the proposals submitted in the particular bid to be disqualified. In relation to the above, a person will include firm(s) of Proprietorship / Partnership Firm / Limited Liability Partnership / Private Limited / Limited company / Society registered under Society's Act / Statutory Bodies / any other legal entity, as the case maybe, & will be deemed to have submitted multiple bids in a particular bid if a person bids in any of the two formats given below:

- i. individual or proprietorship format and/or
- ii. a partnership or association of persons format and/or
- iii. a company format

Whereby,

- A company shall for this purpose include any artificial person whether constituted under the Indian laws or of any other country.
- A person shall be deemed to have bid in a partnership format or in association of persons format if he is a partner of the firm which has submitted the bid or is a member of any association of persons which has submitted a bid.
- A person shall be deemed to have bid in a company format if the person holds:
 - i. more than 10% (ten percent) of the voting share capital of the company which has submitted a bid, or
 - ii. is a director and / or Key Managerial Personnel of the company which has submitted a bid, or
 - iii. holds more than 10% (ten percent) of voting share capital in and/or is a director and / or Key Managerial Personnel of a holding company of that company which has submitted the bid.

By making a bid pursuant to the Tender Documents, the bidder / tenderer shall be deemed to have declared that the bidder / tenderer has not made any other bid or multiple bids as understood or deemed in terms of this clause.

All the bids of a bidder who has submitted multiple bids, as per the clause, shall be rejected and Bid Security for all such bids shall be forfeited, not by way of penalty or liquidated damages but by way of reimbursement of the pre-estimated costs likely to be incurred by the buyer towards bidding process and in the scrutiny & evaluation of bids.

General Terms and Conditions on GeM 4.0 (Version 1.11)

dt 21th June 2023

In addition to the above, bidders found to be in contravention to the said clause will be liable for administrative actions.

30: Push Button Procurement (PBP)

In line with Department of Expenditure OM No. F.6/7/2022-PPD dated 6th September, 2022, "Push Button Procurement (PBP)" for small value procurements will be available on GeM with the following conditions:

- a. PBP will be made only through bidding (PBP through Direct Purchase, L-1, Custom bid, etc. are not permitted).
- b. The total procurement value of the specific case is not to exceed INR 5,00,000 /- (inclusive of all taxes).
- c. PBP will be additional method of procurement and procuring entities are free to use or not to use this additional method of procurement.
- d. PBP method can be used only in case at least five bids are received. In case of less than five bids are received, the procurement is to restart using usual procurement method.
- e. Buyer is to ensure that no splitting of requirement is being done so as to bring procurement under PBP method.
- f. Once PBP bid is invited, contract will be placed directly without any human intervention (provided condition (d) above is complied).
- g. PBP will be permitted only for such categories, where at least ten sources are listed.

Push button procurement process is very simple and user friendly and mostly automated.

A) Buyer PB procurement:

- i. Buyer will select a product from marketplace, do product comparison, etc.
- ii. Thereafter instead of directly placing order on the L-1, the buyer will create a Push Button Procurement Notice by selecting the L-1 product which is otherwise eligible for L-1 purchase.
- iii. Clicking on "Create PBP Notice" will give an option to Buyer to decrease the quantity and delivery period at consignee level. This is enabled for Buyers to seek quotations for lower delivery periods and

General Terms and Conditions on GeM 4.0 (Version 1.11)

dt 21th June 2023

quantity lower than Minimum Order Quantity (MOQ) otherwise offered by the sellers in marketplace.

- iv. Per unit L-1 price will be set as ceiling price for that PBP Notice.

B) PBP Notice content and validations:

- i. The PBP Notice will contain all biddable specification parameters as per GeM category definition [excluding the text input parameters] of the product chosen by Buyer, Consignee-wise Quantity and Consignee-wise Delivery Period.
- ii. Bunching of items is not allowed in PBP Notices.
- iii. The estimated all-inclusive bid value should be less than or equal to INR 5,00,000 based on the system identified L-1 price estimation for the quantity to be procured.
- iv. PBP Notice will include ONLY GeM GTC and category specific Special Terms and Conditions (STC), integrity pact, land border sharing countries declaration etc. Buyer is not allowed to push any new specification parameter or any Additional T&C.
- v. PBP Notice have participation time of 3 days and offer validity of 10 days

C) Seller participation:

- i. PBP notices is published on GeM portal under a separate tab for anyone to see.
- ii. All sellers/service providers can view the PBP Notices created for their category in their dashboard.
- iii. By participating in PBP, Sellers unconditionally accept the GTC and STC, integrity pact, price declaration and other conditions part of the PBP Notice floated before participation.
- iv. Sellers will offer their matching product and price against the PBP Notice by clicking on “Offer Price” and submission of price and

General Terms and Conditions on GeM 4.0 (Version 1.11)

dt 21th June 2023

compliance of T&C. This offer price will be applicable only for that PBP Notice.

- v. Seller/Service Provider can participate in a PBP Process only once and there is no option to withdraw.
- vi. PBP participation will be without EMD and against Bid Securing Declaration only.
- vii. Per unit price to be entered by the seller will have to be less than the L-1 price set as ceiling price in PBP Notice.

D) Procurement Decision:

- i. System/Buyer will open offers after PBP end date and time.
- ii. System will check if offers are received from at least 5 sellers offering products of at least two (2) different OEMs and total L1 value is less than or equal to INR 5,00,000.
- iii. Buyer will not get any access to see list of participating bidders or Seller details.
- iv. If all conditions as defined above are satisfied, system will automatically prompt Buyer to create order on L1 by providing details related to financial approval, paying authority and payment mode etc. as applicable to buyer.
- v. In case of multiple L1 System would place order on seller with maximum Seller Rating on GeM
- vi. If adequate number of offers are not received or total L1 value is more than INR 5,00,000 system will cancel the PBP Notice. A message will be displayed to the buyer stating - Due to insufficient participation in the PBP, you cannot create an order against this PBP. You may go ahead and procure L1 in marketplace through L-1 Purchase after Comparing and verifying price reasonableness or create a regular bid / RA to get better response

General Terms and Conditions on GeM 4.0 (Version 1.11)

dt 21th June 2023

- vii. System will not allow same buyer to use PBP to BUY SAME ITEM in case of failure of the PBP for next 30 days.
- viii. System generated contract will have complete specification of the product offered by seller, Consignee-wise Quantity, Consignee-wise Delivery Period and GeM GTC and category specific STC etc.

*******END OF DOCUMENT*******

MANUFACTURER'S NAME AND ADDRESS:	MANUFACTURING QUALITY PLAN			PROJECT: M/S MEL 2X800MW (PHASE-II) MAHAN THERMAL POWER PROJECT, SINGRAULI, M.P 2X800 MW ULTRA SUPER CRITICAL THERMAL POWER PROJECT, MAHAN (PHASE-II), SINGRAULI, M.P PACKAGE: MAIN PLANT PACKAGE MAIN SUPPLIER: BHEL, HARIDWAR			
	ITEM : ELECTRO-HYDRAULIC ACTUATOR FOR TURBINE VALVE SUB-SYSTEM:	QP NO. : QP/EHA/ REV. NO. : 0 DATE : PAGE : PAGE 1 OF 2					

SL. NO	COMPONENT & OPERATIONS	CHARACTERISTICS	CLASS	TYPE OF CHECK	QUANTUM OF CHECK	REFERENCE DOCUMENT	ACCEPTANCE NORMS	FORMAT OF RECORD	AGENCY			REMARKS	
									M	C	N		
1	2	3	4	5	6	7	8	9	D	10	11		
1	Incoming material Control										Material certificate for casing/cover/piston/piston rod shall be furnished as per DIN 50049/2.2, EN10204 /2.2		
1.1	BOUGHT OUT ITEMS	Model code	MAJOR	Check	100%	DATA SHEET / APPROVED DRAWING	DATA SHEET / APPROVED DRAWING		✓	P	V	V	
	Filters	Damage, Rust	DO	Visual	100%	DO	DO	COC	✓	P	-		
	Transducers	Damage, Rust	DO	Visual	100%	DO	DO	COC	✓	P	-		
1.2	OTHER COMPONENTS	Model code	MAJOR	Check	100%	DATA SHEET	DATA SHEET		✓	P	V	V	
	Servo valve	Damage, Rust	DO	Visual	100%	DO	DO	COC	✓	P	-		
	Poppet valves	Damage, Rust	DO	Visual	100%	DO	DO	COC	✓	P	-		
	Check valves	Damage, Rust	DO	Visual	100%	DO	DO	COC	✓	P	-		
2	INPROCESS CONTROL												
	Assembly of cylinders (Covers, piston, rod)	Model code	MAJOR	Check	100%	Drawing	As per drawing	-	✓	P	V	V	
		Dimensions	DO	Measurement	100%	As per drawing	DO	-	✓	P	V	V	

MANUFACTURER/ SUB-SUPPLIER	MAIN-SUPPLIER Kamal Sehgal Manager, QAX BHEL Haridwar	SIGNATURE	LEGEND: * RECORDS, IDENTIFIED WITH "TICK" (✓) IN COLUMN "D*" SHALL BE ESSENTIALLY INCLUDED BY CONTRACTOR IN QA DOCUMENTATION. ** M: MANUFACTURER/SUB-SUPPLIER C: BHEL/ NOMINATED INS.AGENCY N: CUSTOMER P: PERFORM, W: WITNESS, V: VERIFICATION. AS APPROPRIATE FOR COLUMN 'CLASS': CR: CRITICAL, MJ: MAJOR, MI: MINOR	FOR BHEL USE	DOC. NO.:	REV..... CAT.....	
					REVIEWED BY	APPROVED BY	APPROVAL SEAL

ENGG. DIV./QA&I

MANUFACTURER'S NAME AND ADDRESS:	MANUFACTURING QUALITY PLAN				PROJECT: M/S MEL 2X800MW (PHASE-II) MAHAN THERMAL POWER PROJECT, SINGRAULI, M.P 2X800 MW ULTRA SUPER CRITICAL THERMAL POWER PROJECT, MAHAN (PHASE-II), SINGRAULI, M.P PACKAGE: MAIN PLANT PACKAGE MAIN SUPPLIER: BHEL, HARIDWAR					
	ITEM : ELECTRO-HYDRAULIC ACTUATOR FOR TURBINE VALVE SUB-SYSTEM:	QP NO. : QP/EHA/ REV. NO. : 0 DATE : PAGE : PAGE 2 OF 2								

		Correct fitment	DO	Visual	100%	As per drawing and circuit diagram	-	✓	P	V	V		
3	FINAL INSPECTION, ASSEMBLY AND CONTROL												
3.1	Assembly of the actuators	Dimensions	MAJOR	Measurement	100%	As per drawing	As per drawing	-	✓	P	V	V	
	Witness test of the actuators & Completeness of Test as per TLV2100					Test Procedure	certificate acc. To DIN50049	Test Report	✓	P	V	V	
		Model code	DO	Check	100%	As per drawing	As per drawing	Test Report	✓	P	V	V	
		Pressure and leakage Test (al 300 bar)	DO	Visual	100%	DO	No Leakage	Test Report	✓	P	W	W	
		function lest	DO	Measurement, Visual	100%	DO	As per drawing/test Procedure	Test Report	✓	P	W	W	
		servo valve minimum voltage test	DO	Measurement	100%	DO	DO	Test Report	✓	P	W	W	
		Displacement transducer output	DO	Measurement	100%	DO	DO	Test Report	✓	P	W	W	
		Stroke test	DO	Measurement	100%	Test Procedure	Test Procedure	Test Report	✓	P	W	W	
		Switching time -Opening -Closing	DO	Measurement	100%	DO	DO	Test Report	✓	P	W	W	
		step response	DO	Measurement	100%	DO	DO	Test Report	✓	P	W	W	
		final control -completeness -damage as per TLV2100	DO	Measurement	100%	DO	DO	Test Report	✓	P	W	W	
3.2	Painting inspections	primer coating final paint	MINOR	Visual	100%	As per drawing	As per drawing	DFT Report	✓	P	V	V	

	<i>Kamal Sehgal</i>	LEGEND: * RECORDS, IDENTIFIED WITH "TICK" (✓) IN COLUMN "D*" SHALL BE ESSENTIALLY INCLUDED BY CONTRACTOR IN QA DOCUMENTATION. ** M: MANUFACTURER/SUB-SUPPLIER C: BHEL/ NOMINATED INS.AGENCY N: CUSTOMER P: PERFORM, W: WITNESS, V: VERIFICATION. AS APPROPRIATE FOR COLUMN 'CLASS': CR: CRITICAL, MJ: MAJOR, MI: MINOR		DOC. NO.:		REV..... CAT.....	
MANUFACTURER/ SUB-SUPPLIER			MAIN-SUPPLIER	FOR BHEL USE			
SIGNATURE Kamal Sehgal Manager, QAX BHEL Haridwar				REVIEWED BY	APPROVED BY	APPROVAL SEAL	

ENGG. DIV./QA&I