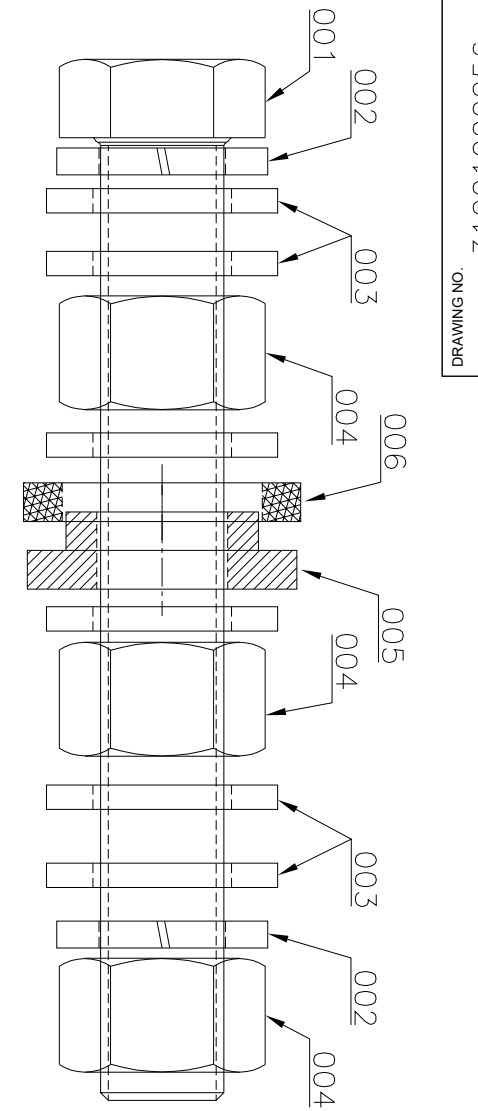


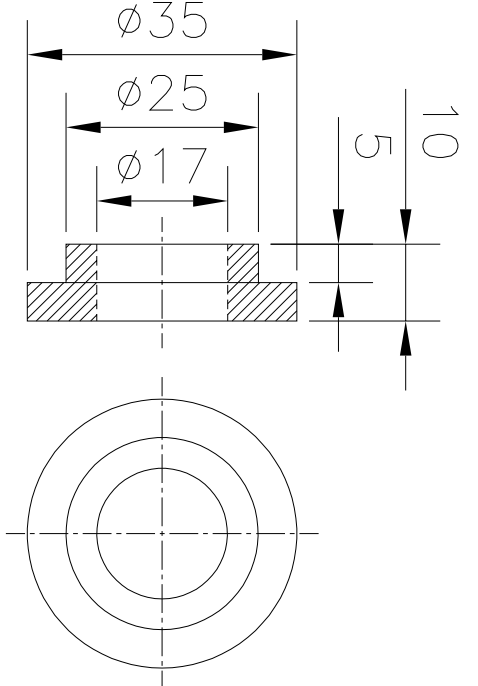
DRAWING NO. 31001000256

First Angle Projection

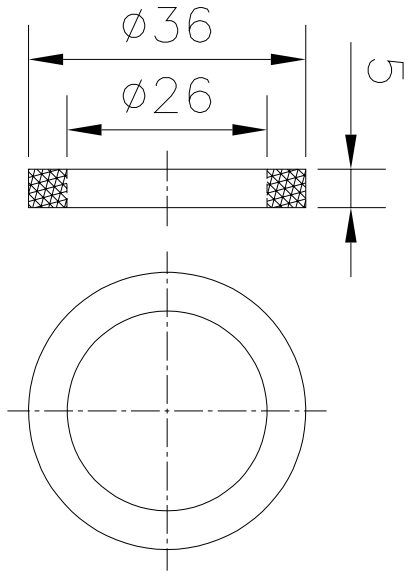
All Dimensions in 'mm'



VAR.00



ITEM-005



ITEM-006

VAR	VAR	REMARKS	ITEM NO.	DESCRIPTION	DRAWING NO.	IT NO.	MATL. CODE	WTKG)
01	00		006	NYLON WASHER	SEE DETAIL	-	-	0.000
-	-		005	NYLON SHOULDER WASHER	SEE DETAIL	-	-	0.000
-	-		004	NUT HEX A M-16 - BRASS	-	-	-	0.042
-	-		003	WASHER PINCHD A-18 -BRASS (00-32)	-	-	-	0.015
-	-		002	WASHER SPRING LOCK SC B-16 -BRASS	SEE DETAIL	-	-	0.011
-	-		001	SCREW HEX A M-16x125 - BRASS	SEE DETAIL	-	-	0.256

ADDITIONAL INFORMATION  
STATUS OF DRAWING  
DISTRIBUTION OF PRINTS

TYPE OF PRODUCT OR NAME OF CUSTOMER/PROJECT

BILL OF QUANTITY



BHARAT HEAVY ELECTRICALS LTD.  
RUDRAPUR

REV.	DATE	ALTERED	CHECKED	APPD.
-	-	-	-	-

DEPT.	UNTOL.DIMS.GR	SCALE	WEIGHT(KG)
BDE	m		

NAME	SIGN	DATE	NO. OF VAR
SANJAY		17/03/22	
RUPESH		17/03/22	
RUPESH		17/03/22	

TITLE	DRAWING NO.
BRASS EARTHING TERMINAL (M16) FOR VT CUBICLE	31001000256

REF. TO ASSY. DRG.	ITEM NO.	NO. OF ITEM

SHT. NO.	NO. OF SHT.	REV.
-	-	00

SIZE -A3