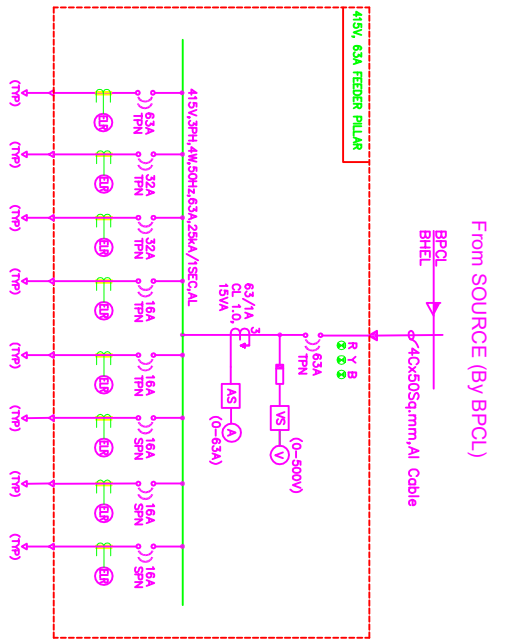
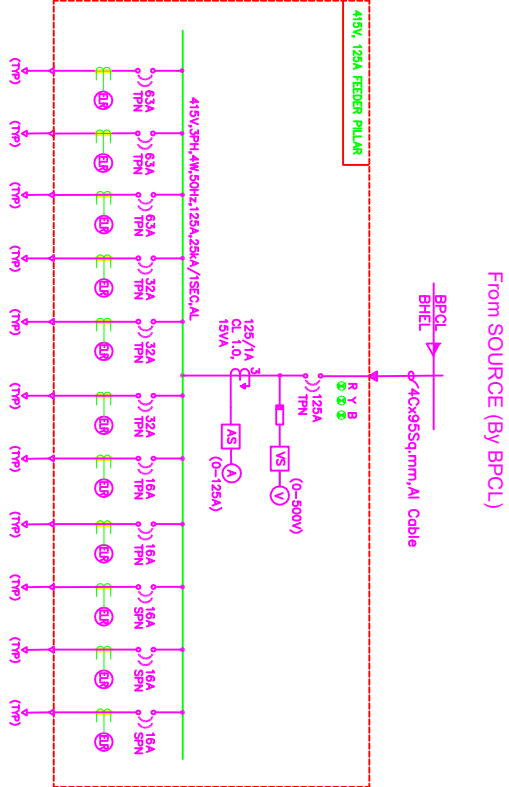


THE INFORMATION ON THIS DOCUMENT IS THE PROPERTY OF BHARAT HEAVY ELECTRICALS LIMITED, IT MUST NOT BE USED DIRECTLY OR INDIRECTLY IN ANY WAY DETRIMENTAL TO THE INTEREST OF THE COMPANY

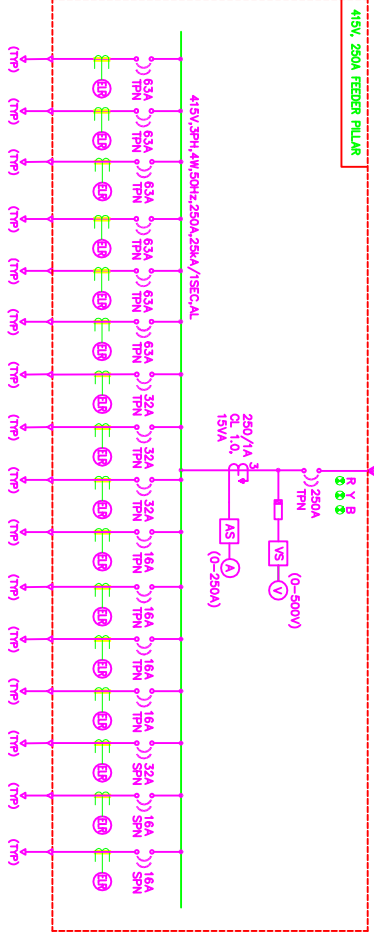
GENERAL DIMENSIONAL LIMITS, FITS & TOLERANCES AS PER HY0230261



415V, 63A FEEDER PILLAR SLD



415V, 125A FEEDER PILLAR SLD



415V, 250A FEEDER PILLAR SLD

- LEGEND:
- ⤴ MCB
  - ⤴ MCCB
  - ⤴ INDICATING LAMP
  - Ⓜ VOLTMETER SELECTOR SWITCH
  - Ⓜ AMMETER SELECTOR SWITCH
  - Ⓜ AMMETER SELECTOR SWITCH
  - Ⓜ VOLTMETER
  - Ⓜ AMMETER
  - Ⓜ CURRENT TRANSFORMER
  - Ⓜ EARTH LEAKAGE RELAY

- NOTES:
1. CBCT SHALL BE DESIGNED FOR PRIMARY EARTH FAULT CURRENT OF 100mA.
  2. MCCBS SHALL BE PROVIDED WITH THERMAL MAGNETIC BASED OVERLOAD AND SHORT CIRCUIT RELEASE.

INVENTORY NO	SIGN. AND DATE	REF. DRG. NO.	COMPUTER FILE NAME

REV.	DATE	ALTERED	BY	REASON

**BINA PETCHEM & REFINERY EXPANSION PROJECT**  
Refinery Complex, Petro chemical unit, pet. bott. residential complex-470124 Bina,  
District-Sigar, Madhya Pradesh, India

**ENGINEERS INDIA LIMITED**  
BANGALURU

**CONSTRUCTION POWER SUPPLY ARRANGEMENT SLD**

DRAWING NO. \_\_\_\_\_

NO. OF SHEETS \_\_\_\_\_