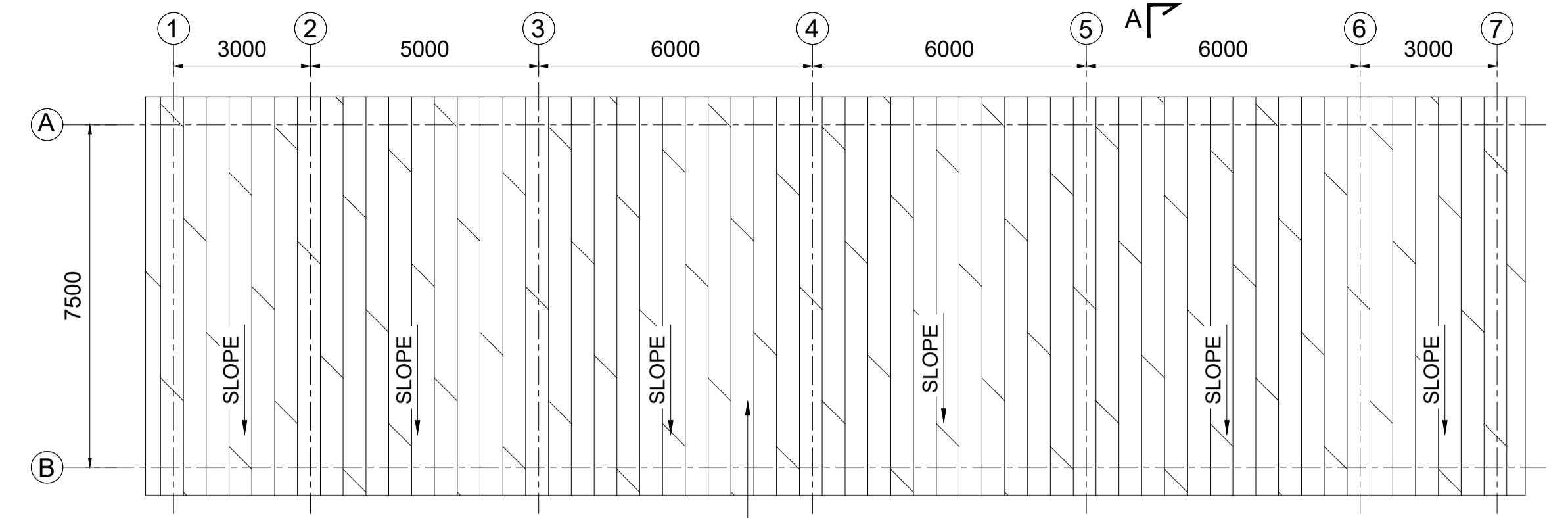
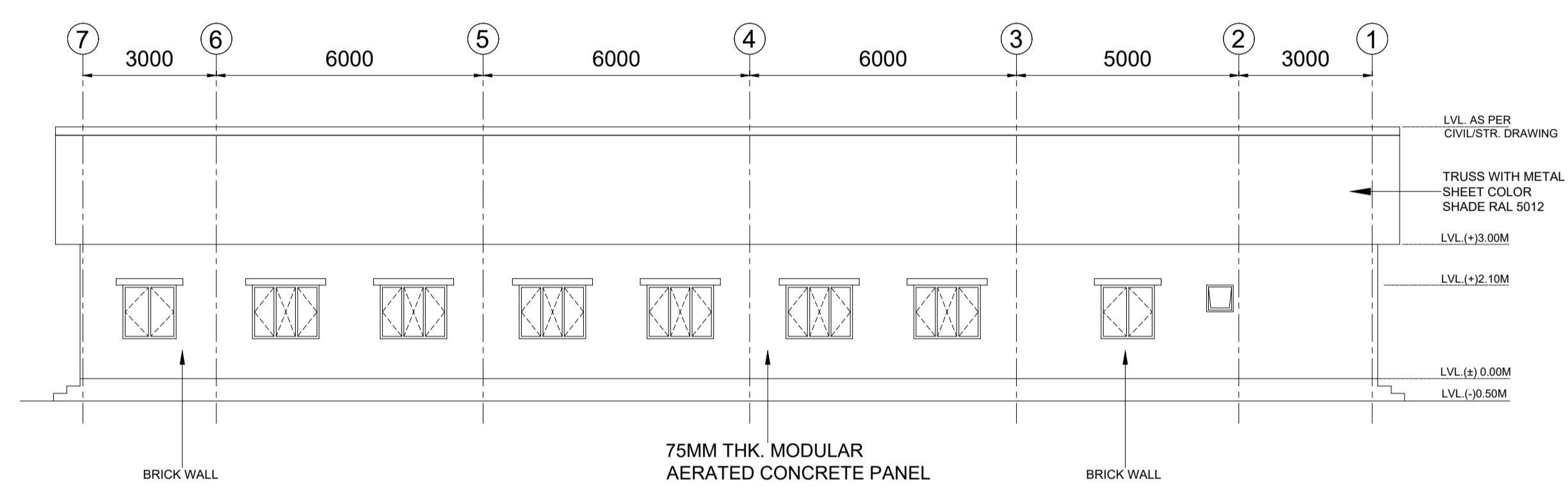


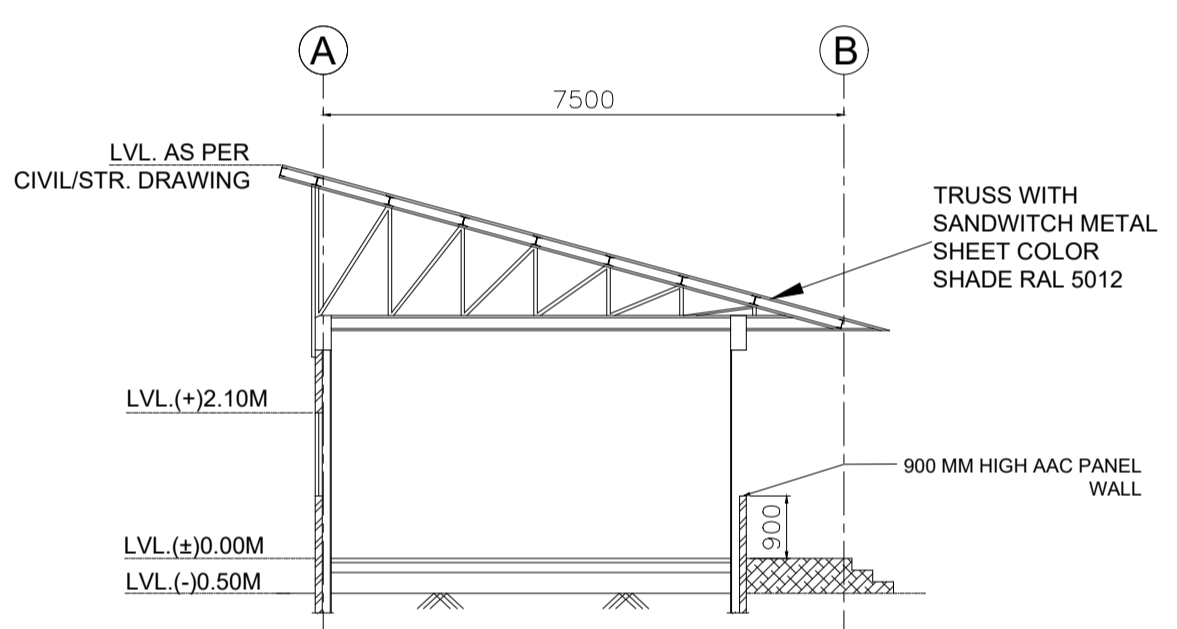
TYP. PLAN OF SHELTER FOR MEN



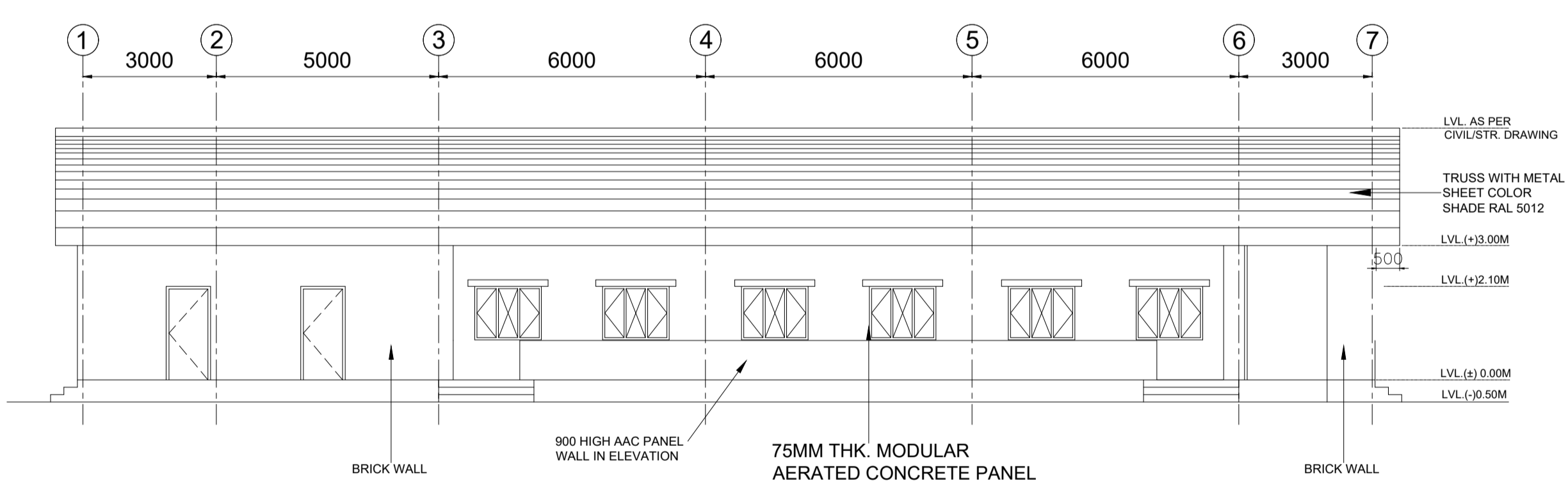
TERRACE PLAN



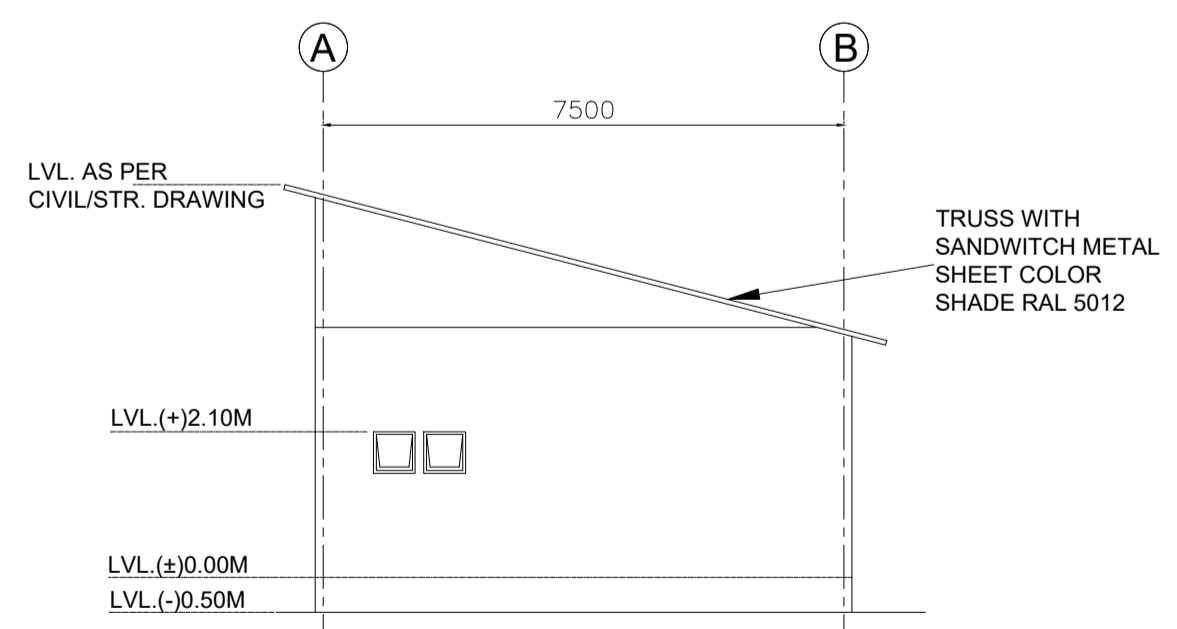
ELEVATION ALONG GRID - A



SECTION-AA



ELEVATION ALONG GRID - B



ELEVATION ALONG AXIS - 1

FINISHING SCHEDULE

FLOOR LEVEL	SPACE DESIGNATION	FLOORING	SKIRTING 150 HIGH/DADO	WALL	CEILING
FLOOR AT LVL (+)0.00M	REST ROOM	CEMENTED IPS FLOORING	CERAMIC TILES 300X300mm	CEMENT PLASTER SKIRTING	CERAMIC GLAZED WALL TILES
	TOILET			DADO 2100MM HIGH	DISTEMPERING WITH 1ST QUALITY ACRYLIC DISTEMPER
		REMARKS	REMARKS	REMARKS	REMARKS

EXTERIOR FINISH
FINISHING WALLS WITH ACRYLIC SMOOTH-I EXTERIOR PAINT

FOR TENDER PURPOSE ONLY

- NOTES:-
- ALL DIMENSIONS ARE IN MM AND LEVELS ARE IN METERS.
 - SUITABLE STRUCTURAL ARRANGEMENT SHALL BE DEVELOPED BY BIDDER.
 - TENDER DRAWING IS TENTATIVE ONLY. THE DRAWING IS ONLY FOR BUILDING SCHEME, SIZE AND HEIGHT ETC. THE DRAWING SHALL BE READ IN CONJUNCTION WITH TECHNICAL SPECIFICATION IN ALL REGARDS.

DOOR SCHEDULE

LEGEND	WIDTH	HEIGHT	LINTEL LVL.	DESCRIPTION	REMARKS
D1	1000	2100	2100	COLD ROLLED STEEL DOOR FRAME WITH SOLID CORE FLUSH DOOR SHUTTER	
D2	750	2100	2100	COLD ROLLED STEEL DOOR FRAME WITH SOLID CORE FLUSH DOOR SHUTTER	

WINDOW SCHEDULE

LEGEND	WIDTH	HEIGHT	CILL LEV.	LINTEL LEV.	DESCRIPTION	REMARKS
V1	600	600	1500	2100	STEEL FRAME VENTILATOR WITH FIXED GLASS SHUTTER (6MM THK. TOUGHENED GLASS)	
W1	1200	1200	900	2100	ALUMINIUM GLAZED WINDOW WITH OPENABAL WINDOW WITH 4mm THK. CLEAR FLOAT GLASS	
W2	1500	1200	900	2100	ALUMINIUM GLAZED WINDOW WITH OPENABAL & FIXED WINDOW WITH 4mm THK. CLEAR FLOAT GLASS	

एन टी पी सी लिमिटेड
NTPC Limited
(A GOVERNMENT OF INDIA ENTERPRISE)
(ENGINEERING DIVISION)

PROJECT HASDEO THERMAL POWER STATION
STAGE-IV (2X660 MW)

TITLE SHED FOR CONSTRUCTION WORKERS AND O&M WORKERS
TYPICAL ARCHITECTURAL DETAILS

REV. NO.	A	DESCRIPTION	RELEASED FOR TENDER PURPOSE	NK	DK	CHKD.	MECH (L/O)	MECH (WS)	ELEC.	C&I	STR.	APPD.	DATE	14.12.23	SIZE	A1	SCALE	1:100	DRG. NO.	11255-001-POC-A-010	REV. NO.	A
----------	---	-------------	-----------------------------	----	----	-------	------------	-----------	-------	-----	------	-------	------	----------	------	----	-------	-------	----------	---------------------	----------	---

This document is the property of N. T. P. C. LTD. No part of this document will be reproduced by any means without the written permission.