



# भारत हेवी इलेक्ट्रिकल्स लिमिटेड Bharat Heavy Electricals Limited

Transmission Business Group  
5<sup>th</sup> Floor at Plot No.- 25, Sector 16A  
DISTT. – GAUTAM BUDDH  
NAGAR (U.P.), Noida-201301  
email: [dipak.mandal@bhel.in](mailto:dipak.mandal@bhel.in)

**Amendment No. 01 Date: 24.11.2023**

## References:

- Tender Spec No: TBSM/MALEGAON/GES/CIVIL-ETC/TENDER/23-24, Date: 10.11.2023
- Tender ID: 2023\_BHEL\_30274\_1 (Through <https://eprocurebhel.co.in>)
- NIT No. 78164 (Through BHEL Website)

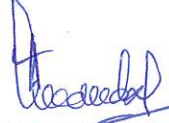
With reference to above tender for "Execution and handing over of Civil Works, Erection, Testing & Commissioning of 1650ADC Shallow type Earth Electrode including stores works for Padghe HVDC terminal station pertaining to +/-500kV 1500MW Chandrapur-Padghe HVDC Bipolar Link at Malegaon in Maharashtra", following clarification/ amendment may please be noted: -

- Drawing of Layout & Details of Foundation for Over Head water tank (**Drawing No.: TB-0-422-607-604-1**) is including in Tender.
- Due date & time for tender submission and technical bid opening are extended as below:

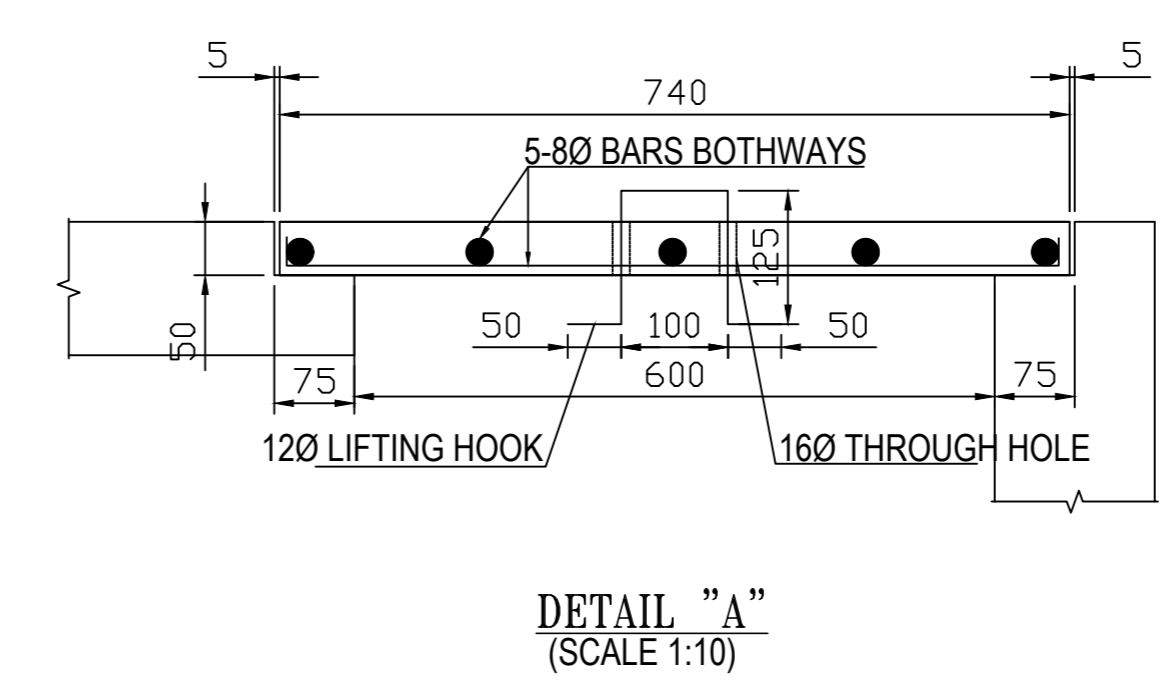
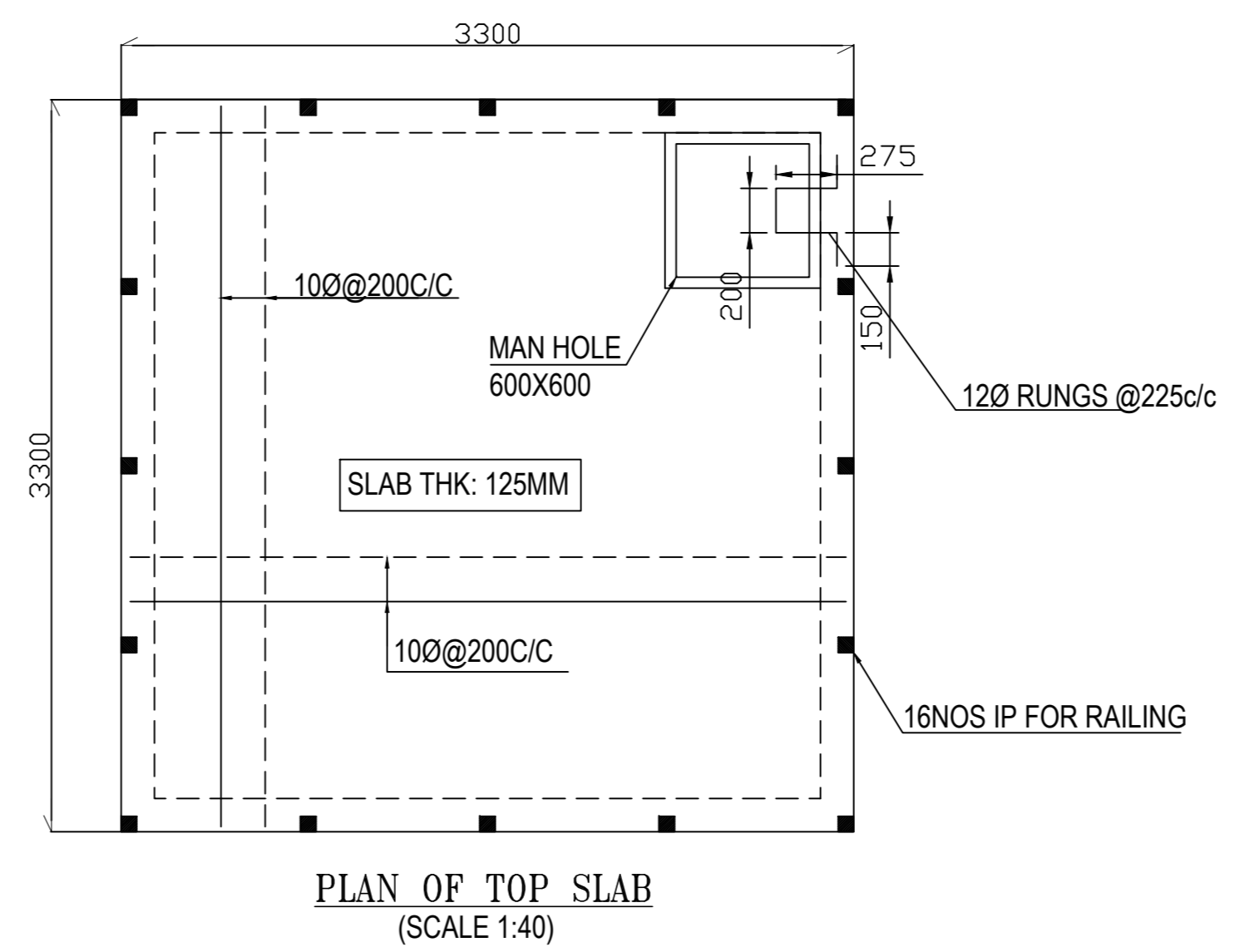
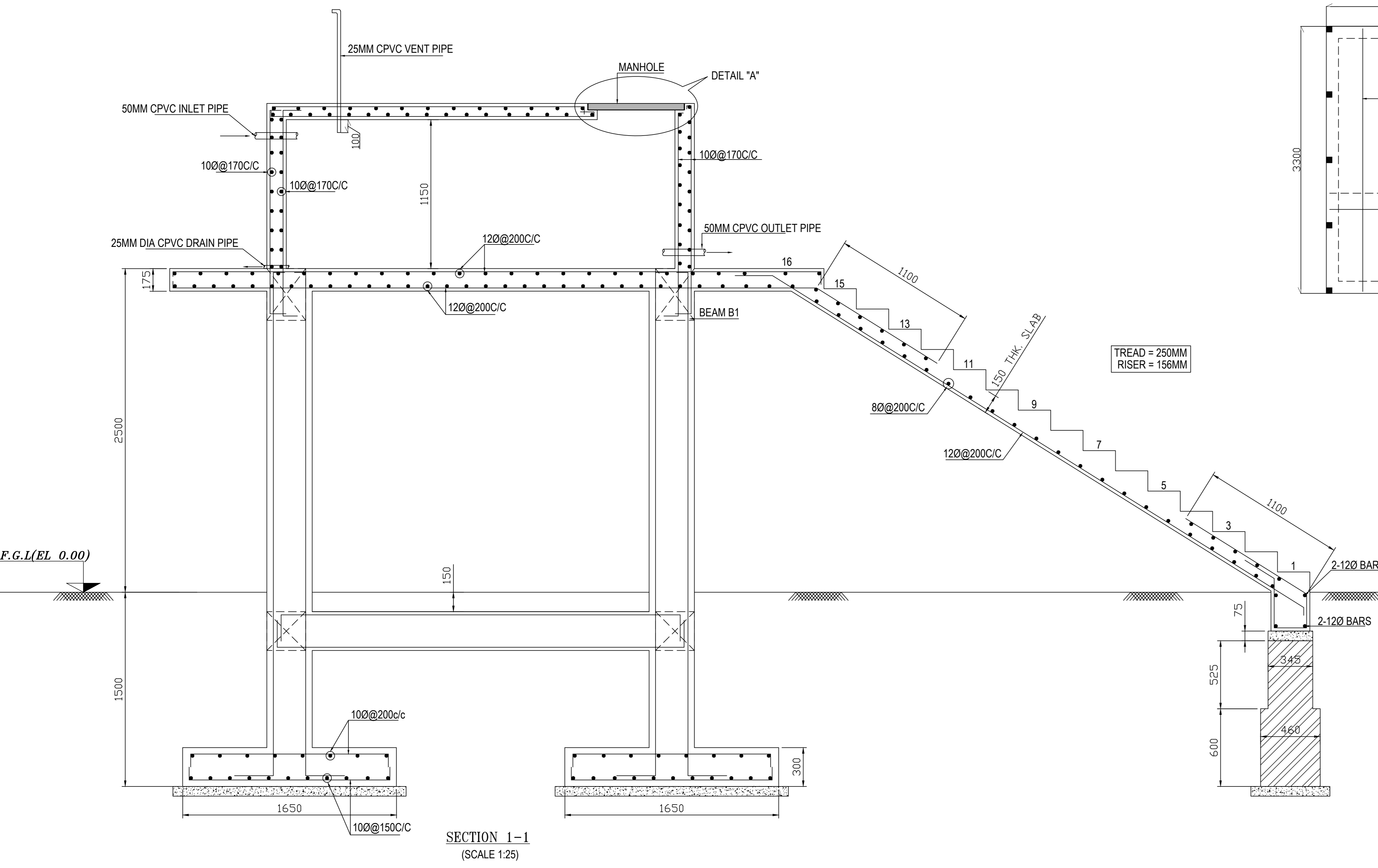
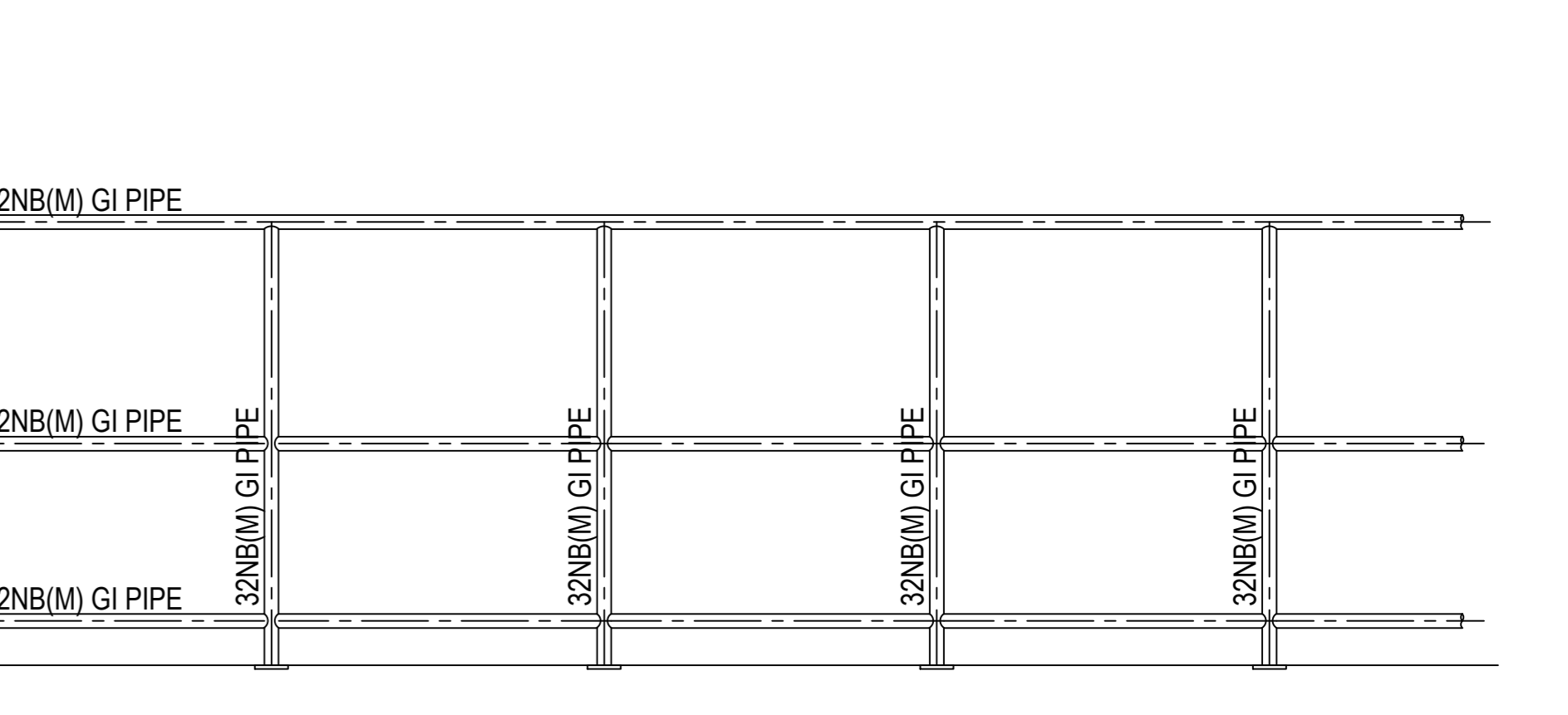
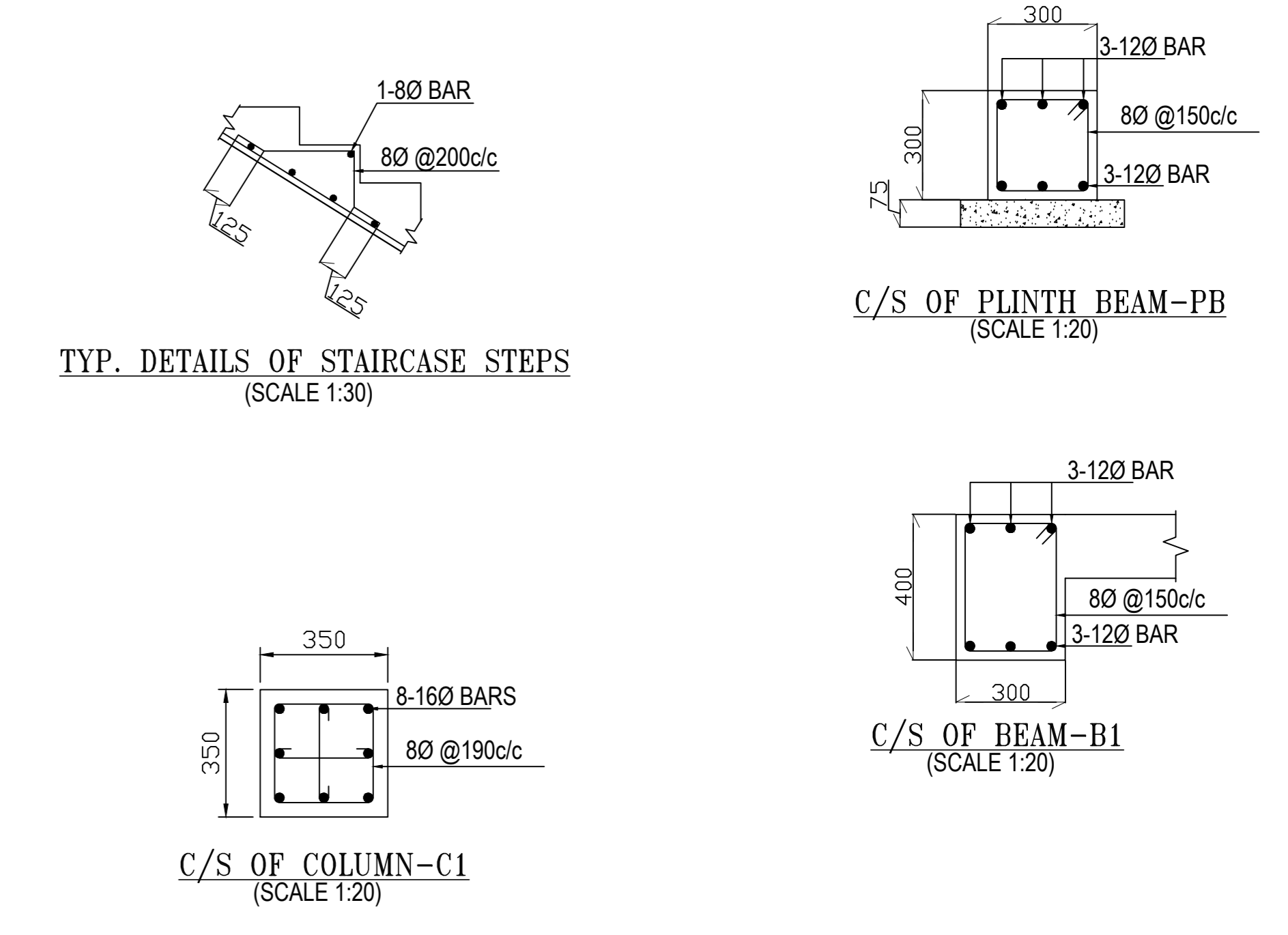
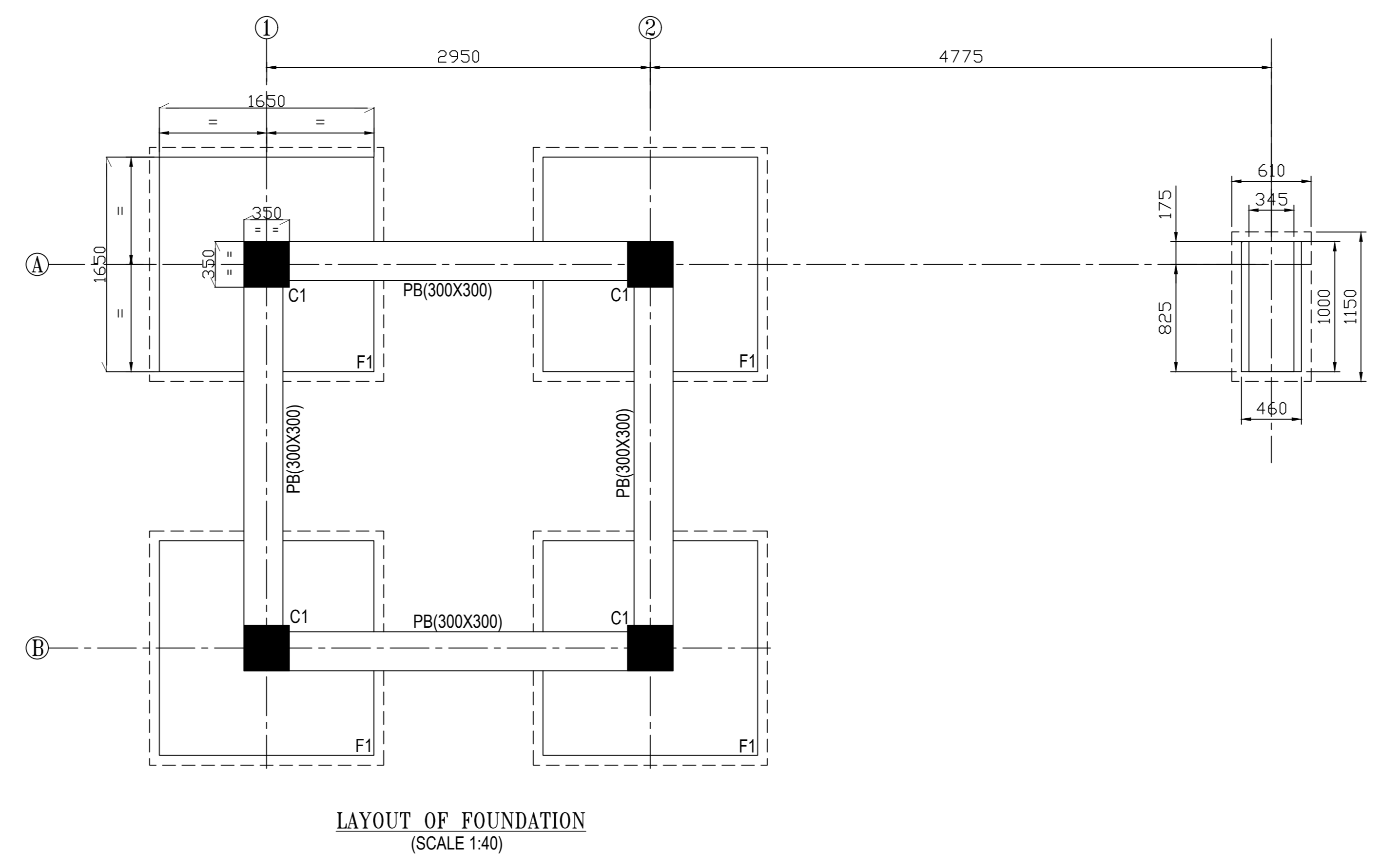
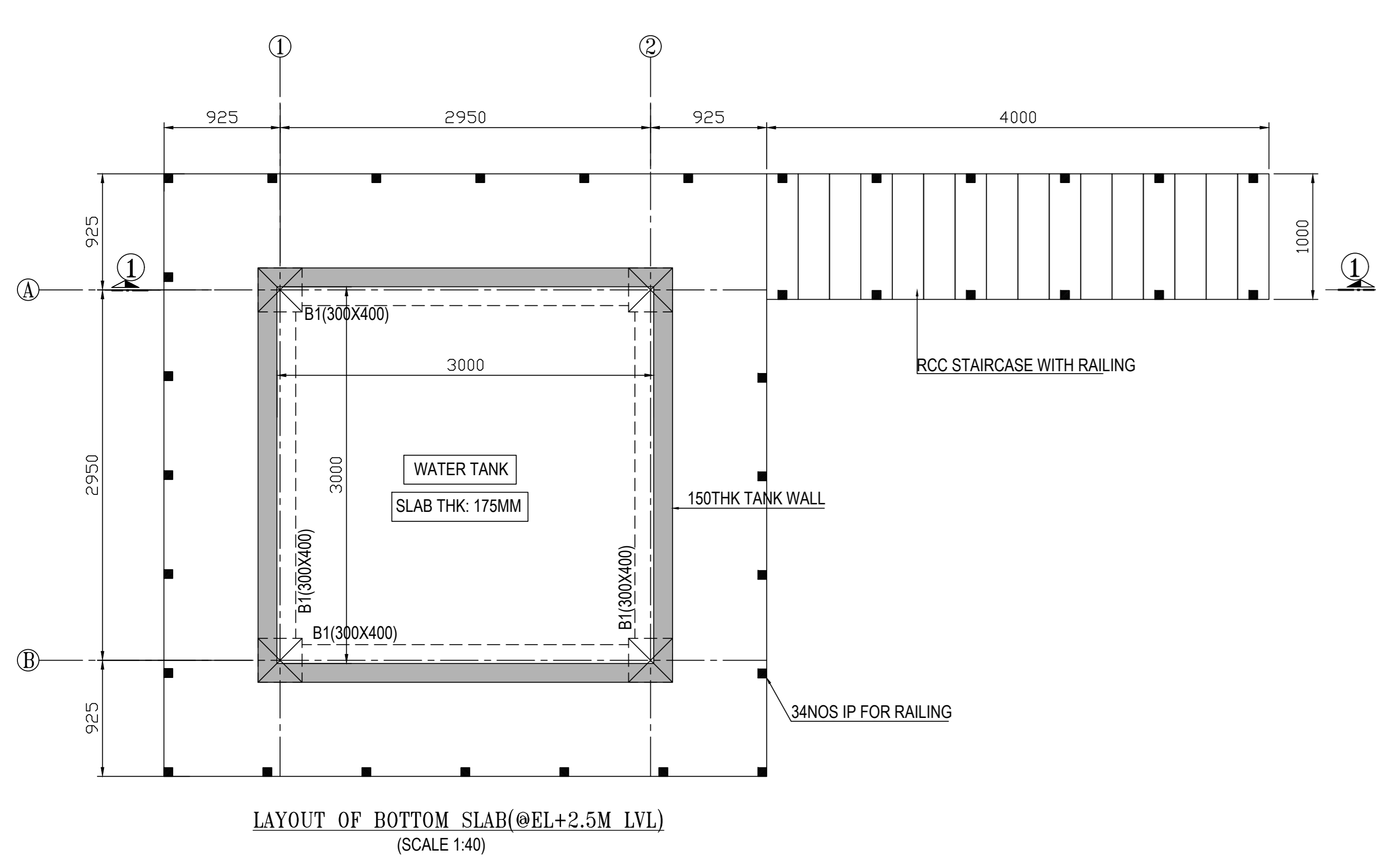
**Tender submission date & time: 30.11.2023, 14:30 hrs.**  
**Technical bid opening date & time: 30.11.2023, 15:30 hrs.**

All other terms & conditions of the tender specification remain unchanged.

Please enclose a copy of this Amendment No.01 duly signed by your authorized signatory and stamped along with your technical bid.

  
(दीपक कुमार मण्डल) 24/11/23.  
अपर महाप्रबंधक / (टीबीएसएम)

COPYRIGHT AND CONFIDENTIAL  
 The information on this document is the property of BHARAT HEAVY ELECTRICALS LIM  
 It must not be used in any way detrimental to the interest of the company.



**NOTES:**

- ALL DIMENSIONS ARE IN MM & LEVELS ARE IN METER.
  - DO NOT SCALE THE DRAWING. ONLY WRITTEN DIMENSIONS SHALL BE FOLLOWED.
  - UNLESS OTHERWISE NOTED ALL RCC SHALL BE OF GRADE M25.
  - GRADE OF PCC BELOW FOOTINGS SHALL BE 1:4:8.
  - LAP LENGTH SHALL BE 50 TIMES DIA OF BAR.
  - PROVIDE CLEAR COVER TO REINFORCEMENT AS UNDER.
    - a) COLUMN - 50MM
    - b) RAFT TOP & BOTTOM - 50MM
    - c) BEAM - 25MM.
    - d) SLAB - 30MM
  - ALL REINFORCEMENT SHALL BE HIGH STRENGTH DEFORMED BARS OF MINIMUM GRADE Fe500 CONFORMING TO IS: 1786 (LATEST).
- LEGENDS:**
- T.O.C = TOP OF CONCRETE
  - F.G.L = FINISHED GROUND LEVEL
  - TOP ROD
  - BOTTOM ROD

FOR REFERENCE ONLY  
RELEASED FOR TENDER PURPOSE ONLY

PROJECT		GROUND ELECTRODE STATION AT MALEGAON			
CUSTOMER		MAHATRANSCO			
 <b>BHARAT HEAVY ELECTRICALS LTD.</b> TRANSMISSION BUSINESS GROUP	DRN.	MOHIT	sd/-	15-11-23	NO. OF VAR
	CHD.	AA	sd/-	15-11-23	
	APPD.	PLK	sd/-	15-11-23	
DEPTT:	TBEM	REF. TO ASSY.DRG.		ITEM NO.	NO. OF ITEMS
CODE :	422				
TITLE :		DRAWING NO.		REV.	
LAYOUT & DETAILS OF FOUNDATION FOR OVER HEAD WATER TANK		TB-0-422-607-604-1		00	
SHEET NO. 1		NO. OF SHTS. 1			

REV.	ALTERED	CHECKED	APPROVED	NAME	SIGN	DATE	REV.	ALTERED	CHECKED	APPROVED	NAME	SIGN	DATE	REV.	ALTERED	CHECKED	APPROVED	NAME	SIGN	DATE	REV.	ALTERED	CHECKED	APPROVED	NAME	SIGN	DATE	REV.	ALTERED	CHECKED	APPROVED	NAME	SIGN	DATE	REV.	ALTERED	CHECKED	APPROVED	NAME	SIGN	DATE														
08	ALTERED	CHECKED	APPROVED				07	ALTERED	CHECKED	APPROVED				06	ALTERED	CHECKED	APPROVED				05	ALTERED	CHECKED	APPROVED				04	ALTERED	CHECKED	APPROVED				03	ALTERED	CHECKED	APPROVED				02	ALTERED	CHECKED	APPROVED				01	ALTERED	CHECKED	APPROVED			