



# Bharat Heavy Electricals Limited

Fabrication Stamping & Insulator Plant  
Jagdishpur, Amethi – 227817(U.P.)

Office: 91(05361) 224119  
Fax: 91(05361) 224243

MATERIAL MANAGEMENT

## Notice Inviting Tender

Tender Enquiry No: TE-125

Dated: 16.07.2022

E-Tenders are invited in Two Part Bid system for the Supply of Casing for Burner Bend Sleeve, Barrel Housing Wear Liner, MS Casing for Burner Inlet Short Bend & MS Casing Reducer Coal Burner Bend as per drawings and other technical documents.

### (I) General:

1. The tender will be under Two-part bid system i.e PQR cum techno commercial bid and Price bid.
2. PQR is as below:

PQR for Burner Bend Sleeve, Barrel Housing Wear Liner, Ms Casing For Burner Inlet Short Bend & Ms Casing Reducer Coal Burner Bend	
1	Supplier should have supplied the same/similar type of fabrication work within 2 years from the date of tender. PO/work execution copy need to be attached.

3. **Mode of Submission of offer:** Mode of Submission of offer: Being e-tender, offer will be submitted online through e-tender portal:

<https://eprocurebhel.co.in/nicgep/app>

Important dates are given below:

EVENT	SCHEDULE
Last Date & Time for receipt of tender	Date : <b>26.07.2022</b> Time : 14.00 hrs ( IST )
Tender Part I opening date & Time	Date : <b>26.07.2022</b> Time : 15.30 hrs ( IST )

4. In case of any difficulty faced while registering on BHEL's e-Procurement portal developed by NIC, queries may be addressed to 0120-4001002, 0120-4001005 and 0120-6277787; email: [support-eproc@nic.in](mailto:support-eproc@nic.in). These details are also available on 'Contact Us' page of the portal
5. Offer to be submitted only on e-procurement portal. Hard copy/email offer is not required to be submitted to BHEL-FSIP. **Any offer received in Hard copy/Email shall not be accepted and straightway rejected by BHEL-FSIP**
6. The offer shall be submitted as per the instructions of tender documents and as detailed in this NIT. Non acceptance of any term may lead to rejection of quotation.
7. **Rate shall be firm and there is no Price Variation.**
8. **Supplier has to quote prices in Rs per piece only.**

- (II) **Item Description and Scope of Supply:** Supplier has to supply below items as per Drawings and technical documents.

Sl.No.	Material Code	Item Description	Qty (Nos)	Unit
1	702200001001	BURNER BEND SLEEVE AS PER DRG NO 4-986-03-01122 REV 00	20	Nos.
2	702200001002	BARREL HOUSING WEAR LINER AS PER DRG NO 4-986-03-01123 REV 00	30	Nos.
3	702200001003	MS CASING FOR BURNER INLET SHORT BEND PER DRG NO 3-986-03-01124 REV 00	3	Nos.
4	702200001004	MS CASING REDUCER COAL BURNER BEND AS PER DRG NO 3-986-03-01125 REV 00	10	Nos.



# Bharat Heavy Electricals Limited

**Fabrication Stamping & Insulator Plant**  
**Jagdishpur, Amethi – 227817(U.P.)**

Office: 91(05361) 224119  
Fax: 91(05361) 224243

MATERIAL MANAGEMENT

## **Notice Inviting Tender**

### **(III) Attachment to Tender Enquiry:**

<b>Sl. No.</b>	<b>Description</b>	<b>Annexure/Enclosure</b>
<b>1</b>	PQR cum Techno-Commercial Bid format	Annexure-IV
<b>2</b>	General Terms & Conditions (Make in India and Sister Concern Declaration)	Annexure: II
<b>3</b>	Special terms and Conditions	Annexure: III
<b>4</b>	Drawings	Attached
<b>5</b>	Technical documents and QP	Attached

### **(IV) Contact person details:**

Manmeet Kumar

Dy. Manager –MM

Phone: 05361 224126/9478471278

E-mail: manmeet@bhel.in



## SPECIAL TERMS AND CONDITIONS OF ENQUIRY (TE -125, dated 16.07.2022)

Sl. No.	Description
1	<b>Product Requirement</b> Supplier has to supply material as per drawings and Technical documents. Applicable drawing is attached.
2	<b>Delivery time and term</b> <b>Within 45 days from date of PO.</b> The rates quoted shall be <b>on F.O.R- BHEL Stores</b> basis without unloading charges. The rates shall be exclusive of unloading charges but inclusive of freight & Insurance. Early and Part Delivery (staggered delivery) is acceptable. Accordingly Penalty clause shall be applicable.
3	<b>Distribution of Load Share</b> 100% quantity shall be given to L1 bidder. But distribution shall be as per MSE clause and Make in India Clause if applicable.
4	<b>Tender Finalization</b> Tender Finalization shall be through price bid opening.
5	<b>Quantity Tolerance</b> <i>Quantity variation is not allowed.</i>
6	<b>Test Certificate</b> <i>Material test Certificate is required.</i>
7	<b>Guarantee/Warrantee certificate</b> <i>Two years from date of supply.</i>
8	<b>Evaluation</b> <i>Evaluation shall be item wise.</i>
9	<b>Inspection</b> <i>Pre dispatch Inspection is required and done by BHEL/TPI.</i>

## PQR cum Techno-Commercial Format

**Tender Enquiry No- TE-125**

**Annexure-IV**

### PQR cum Techno-Commercial Requirements

### Suppliers Remarks

SI No	Description	BHEL's Requirement	Suppliers Remarks
1	Supplier should have supplied the same/similar type of fabrication work within 2 years from the date of tender. PO/work execution copy need to be attached	PO Copies/Work Execution (Not earlier than 16.07.2020) must be submitted	Submitted (Yes/No)
2	Registraion Certificate under MSME Act if applicable	Registraion Certificate under MSME Act to be submitted	Submitted (Yes/No)
3	Udhyam Certificate if applicable	UDYAM to be submitted	Submitted (Yes/No)
4	CA certificate (Annexure I of GTC ), If applicable	,CA (Chartered Accountant) Certificate - on Format attached in GTC "Annexure-I" to be submitted	Submitted (Yes/No)
5	Declaration by vendor for Sister Concern( format in GTC)	Seal and signed on company letter head	Submitted (Yes/No)
6	Self-Declaration on Class I/Class II/Non Local under Make in India ( format in GTC)	Seal and signed on company letter head	Submitted (Yes/No)
7	MSE owned by SC/ST declration, if applicable	Yes/No, If Yes, Provide supporting document	Submitted (Yes/No)
8	MSE owned by Women declration, if applicable	Yes/No, If Yes, Provide supporting document	Submitted (Yes/No)
9	Acceptance of NIT, STC and GTC terms and conditions	Yes/No	Submitted (Yes/No)
	Remarks if any		

Seal and Signed by Bidder



COPYRIGHT AND CONFIDENTIAL THE INFORMATION ON THIS DOCUMENT IS THE PROPERTY OF BHARAT HEAVY ELECTRICALS LIMITED. IT MUST NOT BE USED DIRECTLY OR INDIRECTLY IN ANY WAY DETERIMENTAL TO THE INTEREST OF THE COMPANY.

स्वत्वाधिकार एवं गोपनीय इस प्रलेख में दी गई सूचना भारत हेवी इलेक्ट्रिकल्स लिमिटेड की सम्पत्ति है। इसका प्रत्यक्ष या अप्रत्यक्ष रूप में किसी भी तरह प्रयोग नहीं किया जाए जो कम्पनी के हित में हानिकर हो।

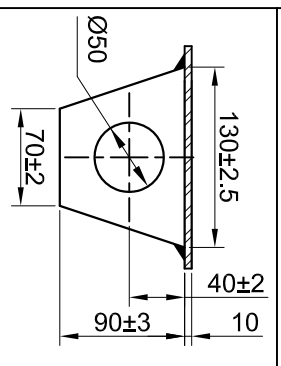
DIMENSIONS TO BE CONTROLLED WITHIN LIMITS AS SHOWN MACHINING TOLERANCE ±0.25 mm UNLESS OTHERWISE SHOWN NON-MACHINING TOLERANCE ±0.5 mm

945016/2022/FSIP-R&D UNIT सामग्री सूची संख्या INVENTORY NO. हस्ताक्षर और दिनांक/SIGN & DATE संदर्भित अभिकल्प संख्या REFERENCE DRG. NO.

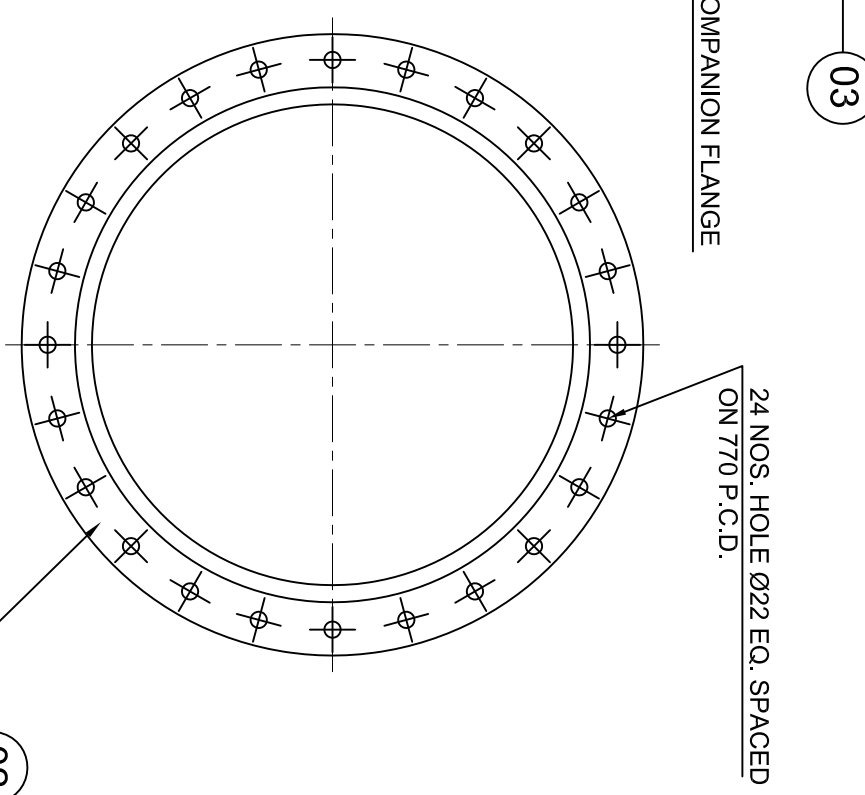
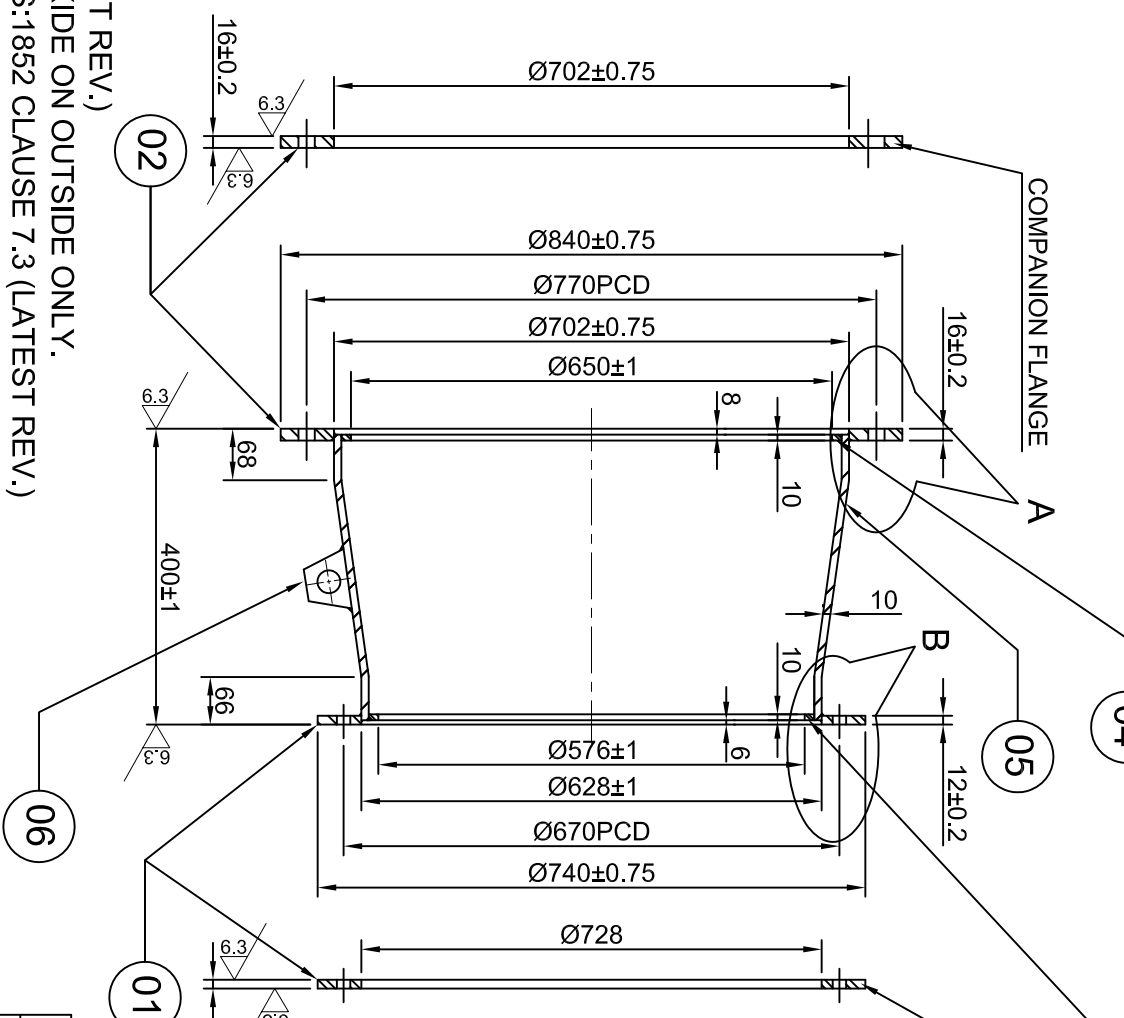
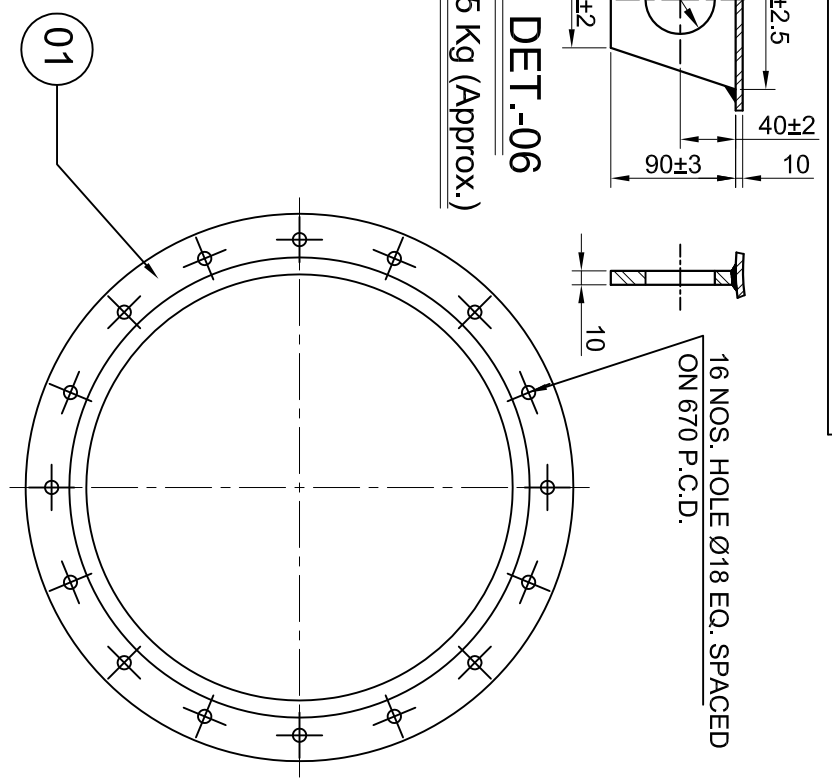
52110-30-986-3 ON GIN/IN/DR/आयु/प्रथम कोण प्रक्षेपण

प्रथम कोण प्रक्षेपण/FIRST ANGLE PROJECTION

सभी विमाएं मिलीमीटर में हैं / ALL DIMENSIONS ARE IN mm.



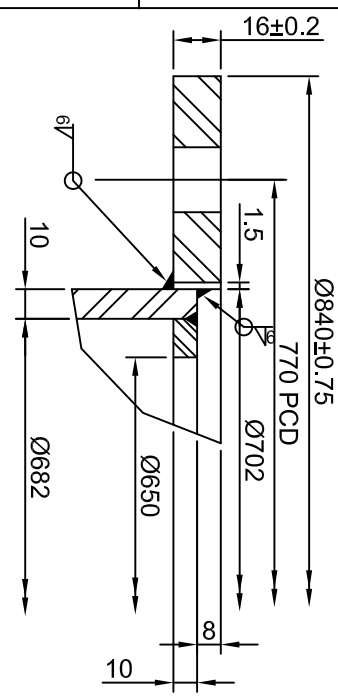
LUG DET.-06 WT.-0.55 Kg (Approx.)



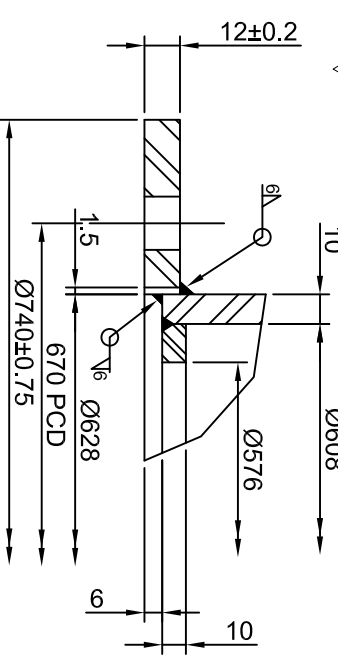
NOTES:-

- 01 MATERIAL M.S. CONFORM TO IS:2062 Gr.-A (LATEST REV.)
- 02 CASING TO BE CLEANED & PAINTED WITH RED-OXIDE ON OUTSIDE ONLY.
- 03 TOLERANCE ON THICKNESS OF CASING AS PER IS:1852 CLAUSE 7.3 (LATEST REV.)
- 04 D.P. TEST ON WELDED JOINT TO BE CARRIED OUT AS PER E&D:331 (LATEST REV.)
- 05 FLANGE IS TO BE FULL WELDED ON EACH END OF CASING.
- 06 COMPANION FLANGES QTY. 1 EACH FOR END FLANGES 1&2 SHOULD ALSO TO BE PROVIDED THESE FLANGES FIXED TO END FLANGE WITH SUITABLE BOLT & NUTS AT 4 LOCATION 90 APART.
- 07 ALL OVER MACHINING FOR END RING 6.3.

END DETAIL-A



END DETAIL-B



ITEM NO.	DESCRIPTION	MATERIAL	QTY.	WT./UNIT Kg (Approx.)
06	LUG	M. S.	01	0.55
05	CASING	M. S.	01	54.5
04	TOP RING	M. S.	01	2.65
03	BOTTOM RING	M. S.	01	2.35
02	TOP FLANGE	M. S.	02	20.0
01	BOTTOM FLANGE	M. S.	02	15.0

उत्पाद का प्रकार या ग्राहक/परियोजना का नाम TYPE OF PRODUCT OR NAME OF CUSTOMER/PROJECT

भारत हेवी इलेक्ट्रिकल्स लिमिटेड, जगदीशपुर, अमरी BHARAT HEAVY ELECTRICALS LIMITED, JAGDISHPUR, AMERTHI



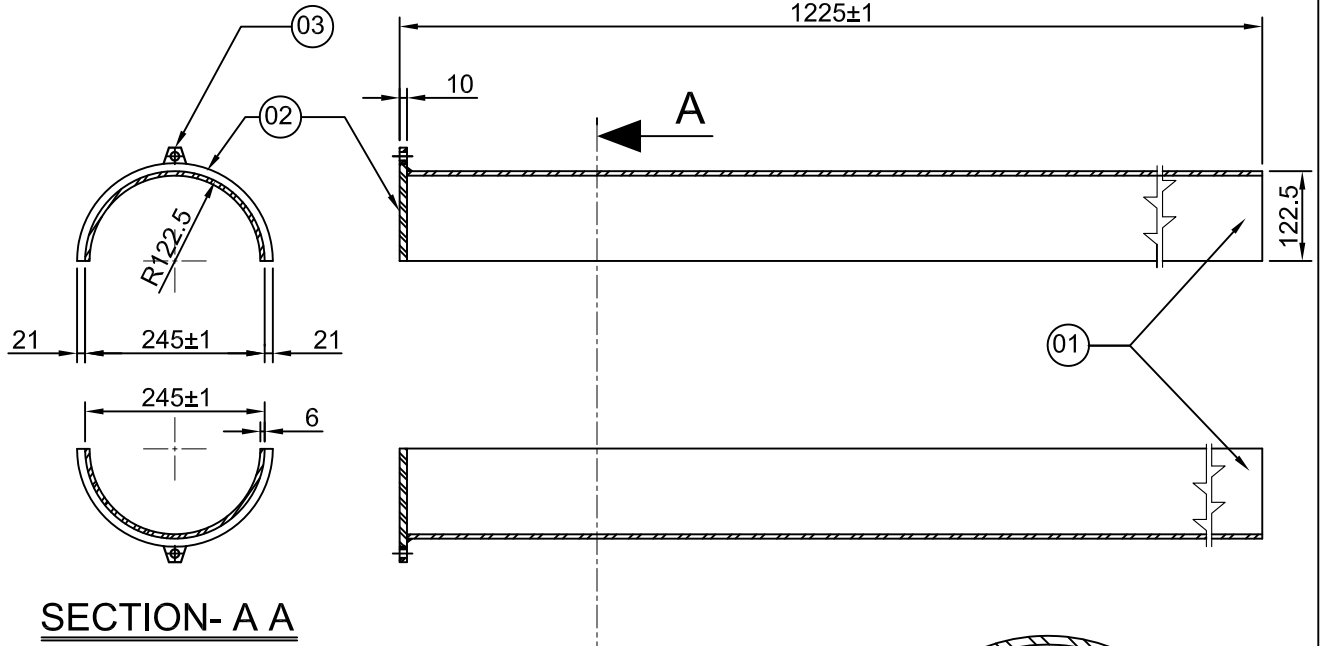
विभाग DEPTT.	अभियंताका ENGG.	कोड / CODE 400	पैमाना / SCALE N.T.S.	भार कि. ग्रा. WEIGHT (KG) 130 Kg (Approx.)	संशोधक / TITLE M.S. CASING FOR REDUCER, COAL BURNER BEND	कार्ड कोड CARD CODE	अभिकल्प संख्या / DRAWING NO. 3-986-03-01125	REV. 00
--------------	-----------------	----------------	-----------------------	--	--	---------------------	---	---------

संशोधक	दिनांक	संशोधक	संशोधक	संशोधक	संशोधक	संशोधक	संशोधक	संशोधक
REV.	DATE	REV.	DATE	REV.	DATE	REV.	DATE	REV.

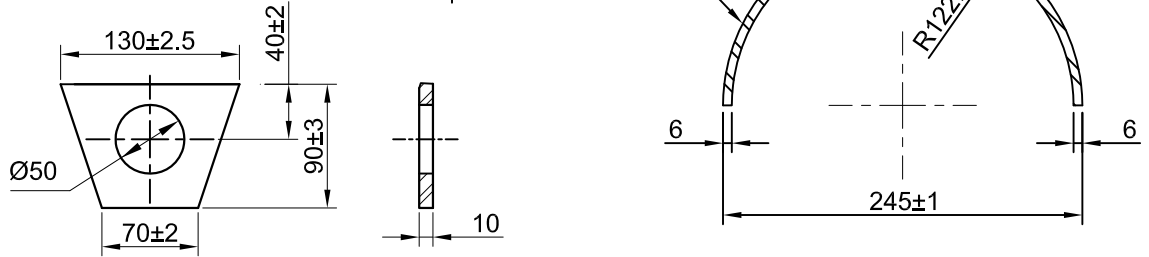
COPYRIGHT AND CONFIDENTIAL  
THE INFORMATION ON THIS DOCUMENT IS THE PROPERTY OF  
BHARAT HEAVY ELECTRICALS LIMITED. IT MUST NOT BE USED  
DIRECTLY OR INDIRECTLY IN ANY WAY DETERIMENTAL TO THE  
INTEREST OF THE COMPANY.

स्वाधिकार एवं गोपनीय  
इस प्रलेख में दी गई सूचना भारत हेवी इलेक्ट्रिकल्स लिमिटेड की  
सम्पत्ति है। इसका प्रत्यक्ष या अप्रत्यक्ष रूप में किसी भी तरह  
प्रयोग नहीं किया जाए जो कम्पनी के हित में हानिकारक हो।

संशोधन REV.	दिनांक DATE	संशोधनकर्ता ALTERED BY	संशोधन REV.	दिनांक DATE	संशोधनकर्ता ALTERED BY
		जांचकर्ता CHD			जांचकर्ता CHD



SECTION-A A



LUG DET.- (03)

WT.-0.55 Kg (Approx.)

HALF PIPE

03	LUG	THK. 10 mm	M.S IS:2062 Gr-E250	01	0.55
02	HALF RING	THK. 10 mm	M.S IS:2062 Gr-E250	02	0.85
01	HALF PIPE	R 122.5 x 6	M.S IS:2062 Gr-E250	02	21.5
PART NO.	DESCRIPTION	DIMENSIONS	MATERIAL	QTY.	WT./UNIT Kg (Approx.)



भारत हेवी इलेक्ट्रिकल्स लिमिटेड, जगदीशपुर, अमेठी  
BHARAT HEAVY ELECTRICALS LIMITED,  
JAGDISHPUR, AMETHI

निर्माणकर्ता DRN.	नाम/NAME	हस्ताक्षर/SIGN	दिनांक/DATE	वेरिफाई संख्या No. of Var.
जांचकर्ता CHD	C.S.JOSHI	Sd/-	11.07.22	
स्वीकृतकर्ता APPD	G.PANDEY	Sd/-	11.07.22	
	G.S.SINGH	Sd/-	11.07.22	

विभाग अभियंत्रिकी DEPTT. ENGG.	हस्ताक्षर और दिनांक/SIGN & DATE	पैमाना /SCALE	भार कि.ग्रा. WEIGHT (KG)	असेम्बली अभिकल्प का संदर्भ REFER TO ASSLY. DRG.	नग क्रमांक ITEM NO.	सगों की संख्या NO. OF ITEMS
कोड/CODE 400		N.T.S.	45.25 (Approx.)			

शीर्षक/TITLE	कार्ड कोड CARD CODE	अभिकल्प संख्या/DRAWING NO.	REV.
BURNER BEND SLEEVE		4-986-03-01122	00

पृष्ठ संख्या/Sheets No. 01 पृष्ठों की संख्या/No. of Sheets 01

DIMENSIONS TO BE CONTROLLED  
WITHIN LIMITS AS SHOWN  
MACHINING TOLERANCE ±0.25 mm  
UNLESS OTHERWISE SHOWN  
NON-MACHINING TOLERANCE ±0.5 mm

संदर्भित अभिकल्प संख्या  
REFERENCE DRG. NO.

हस्ताक्षर और दिनांक/SIGN & DATE

सामग्री सूची संख्या  
INVENTORY NO.

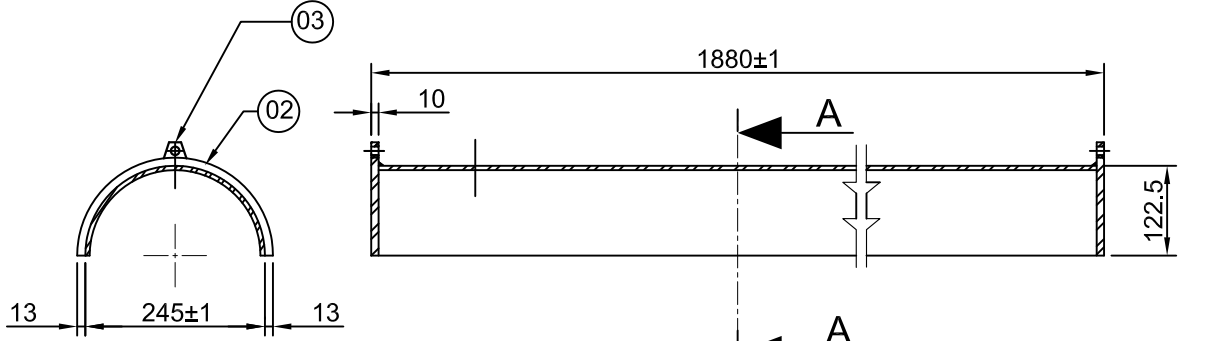
945016/2022/FSIP-R&amp;D\_UNIT

प्रथम कोण प्रोजेक्शन / FIRST ANGLE PROJECTION सभी विमाणें मिलीमीटर में हैं। / ALL DIMENSIONS ARE IN mm.

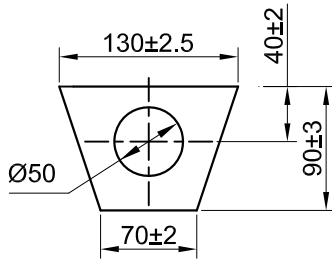
COPYRIGHT AND CONFIDENTIAL  
THE INFORMATION ON THIS DOCUMENT IS THE PROPERTY OF  
BHARAT HEAVY ELECTRICALS LIMITED. IT MUST NOT BE USED  
DIRECTLY OR INDIRECTLY IN ANY WAY DETERIMENTAL TO THE  
INTEREST OF THE COMPANY.

स्वाधिकार एवं गोपनीय  
इस प्रलेख में दी गई सूचना भारत हेवी इलेक्ट्रिकल्स लिमिटेड की  
सम्पत्ति है। इसका प्रत्यक्ष या अप्रत्यक्ष रूप में किसी भी तरह  
प्रयोग नहीं किया जाए जो कम्पनी के हित में हानिकारक हो।

संशोधन REV.	दिनांक DATE	संशोधनकर्ता ALTERED BY जांचकर्ता CHD	संशोधन REV.	दिनांक DATE	संशोधनकर्ता ALTERED BY जांचकर्ता CHD
----------------	----------------	---	----------------	----------------	---

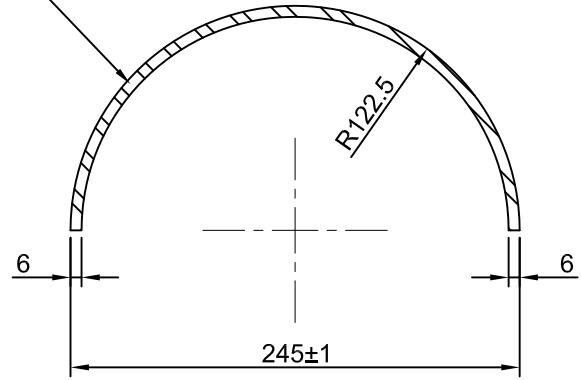


### SECTION- A A



### LUG DET.- 03

WT.-0.55 Kg (Approx.)



### BASE PLATE

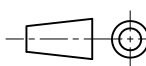
PART NO.	DESCRIPTION	DIMENSIONS	MATERIAL	QTY.	WT./UNIT Kg (Approx.)
03	LUG	THK. 10 mm	M.S IS:2062 Gr-E250	02	0.55
02	RING	THK. 10 mm	M.S IS:2062 Gr-E250	02	0.60
01	BASE PLATE	R 122.5 x 6	SS Gr.309	01	33.5



भारत हेवी इलेक्ट्रिकल्स लिमिटेड, जगदीशपुर, अमेठी  
BHARAT HEAVY ELECTRICALS LIMITED,  
JAGDISHPUR, AMETHI

निर्माणकर्ता DRN.	नाम/NAME	हस्ताक्षर/SIGN	दिनांक/DATE	वेरिफाई संख्या No. of Var.
जांचकर्ता CHD	C.S.JOSHI	Sd/-	11.07.22	
स्वीकृतकर्ता APPD	G.PANDEY	Sd/-	11.07.22	
	G.S.SINGH	Sd/-	11.07.22	

विभाग अभियंत्रिकी  
DEPTT. ENGG.



पैमाना /SCALE  
N.T.S.

भार कि.ग्रा.  
WEIGHT (KG)  
35.8 (Approx.)

असेम्बली अभिकल्प का संदर्भ  
REFER TO ASSLY. DRG.

नग क्रमांक  
ITEM NO.

वर्गों की संख्या  
NO. OF  
ITEMS

कोड/CODE 400

शीर्षक/TITLE

BARREL HOUSING WEAR LINER

कार्ड कोड  
CARD  
CODE

अभिकल्प संख्या/DRAWING NO.

4-986-03-01123

REV.  
00

पृष्ठ संख्या/Sheets No. 01

पृष्ठों की संख्या/No. of Sheets 01

DIMENSIONS TO BE CONTROLLED  
WITHIN LIMITS AS SHOWN  
MACHINING TOLERANCE ±0.25 mm  
UNLESS OTHERWISE SHOWN  
NON-MACHINING TOLERANCE ±0.5 mm

संदर्भित अभिकल्प संख्या  
REFERENCE DRG. NO.

हस्ताक्षर और दिनांक/SIGN & DATE

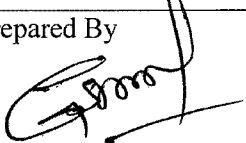
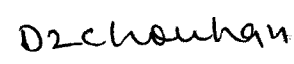
सामग्री सूची संख्या  
INVENTORY NO.

BHARAT HEAVY ELECTRICALS LIMITED FSIP, JAGDISHPUR  CERALIN DESIGN DOCUMENT	Document No. : E&D: 306 Section No. : 03 Section Rev. No.: 00 Section Rev. Date: 04.07.19 Issue No: 01 Page 1 of 1
---	---

**3.0 SUBJECT & PURPOSE:**

**SUBJECT:** Design & Inspection procedures for the manufacture of fabricated casings & ceralin tiles for PF bends.

**PURPOSE:** To outline procedure for design of ceralin tiles & to provide information & guidance to various manufactures of MS casings with end rings.

Prepared By  Functional Chief (Engineering)	Approved By  HOD (Engineering)
--	---

BHARAT HEAVY ELECTRICALS LIMITED FSIP, JAGDISHPUR  CERALIN DESIGN DOCUMENT	Document No. : E&D: 306 Section No. : 04 Section Rev. No.: 00 Section Rev. Date: 04.07.19 Issue No: 01 Page 1 of 8
---	---

#### 4.0 CERALIN CASING DESIGN :

**OBJECTIVE :** This procedure essentially provides information for the process of manufacture of mitred segments, stipulates conditions for acceptance of tack/ full welded segments in the form of casings on Layout & details the method for tile design.

**SCOPE OF SUPPLY :**

- 1) The casing size, various dimensions connection details, and quality shall be as per the latest drawings to be enclosed along with the detailed purchase order.
- 2) Contractual obligations, if any, other than those specified in the procedure will be mutually agreed upon.

**APPLICABLE CODES :** All welders have to be qualified as per welding procedure E&D: 330 prior to taking up welding on jobs.

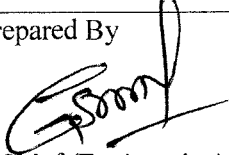
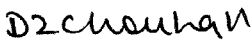
**MATERIAL :**

- 1) The material used for the mitred segments shall conform to IS-2062 Gr. A
- 2) The material for ceralin tile should be as per Technology Document No. E&D : 308

**CASINGS :**

a) **ROLLING SHELLS :** The following checks to be made prior to rolling.

- i. Thickness of plate conforming to drawing dimensions. Tolerances on thickness will be as per IS-1852 (1985) Cl.7.3
- ii. Visual defects on plates such as dents and burrs to be removed suitably.
- iii. Edges must be straight and if necessary to be ground, The plates of appropriate size to be chosen such that

Prepared By  Functional Chief (Engineering)	Approved By  HOD (Engineering)
--	---

BHARAT HEAVY ELECTRICALS LIMITED FSIP, JAGDISHPUR  CERALIN DESIGN DOCUMENT	Document No. : E&D: 306 Section No. : 04 Section Rev. No.: 00 Section Rev. Date: 04.07.19 Issue No: 01 Page 2 of 8
---	---

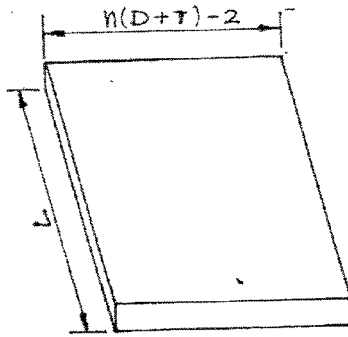


FIG - 1

(All dimensions in mm)

The desired rolling diameter is obtained and Maximum segments can be cut to minimize wastage of material.

The dimension of plates may be  $(D+T) - 2\text{mm} \times L \text{ mm} \times T \text{ mm}$  where  $D$  = Internal dia,  $T$  = Thickness of plate,  $L$  = Length suitably chosen.  $(D+T)$  = Mean diameter.

- The diagonals to be checked for equality and if necessary the edges to be gas cut and ground to the desired dimensions.
- Edge preparations shown in Fig-2 to be carried out by suitable grinding machines.

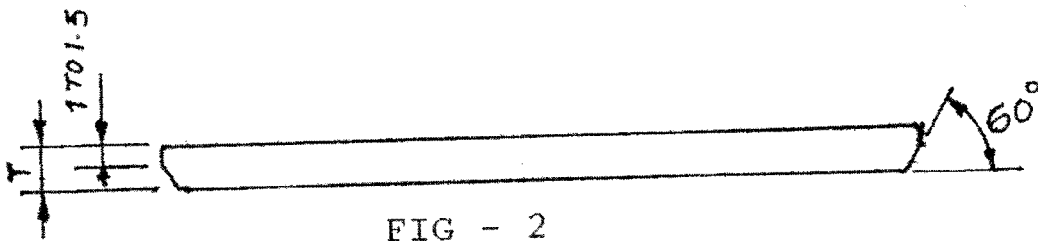
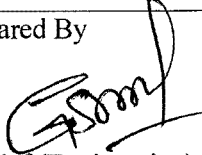



FIG - 2

Rolling to desired dimensions in the manner shown in Fig - 3

Prepared By  Functional Chief (Engineering)	Approved By  HOD (Engineering)
--	---

BHARAT HEAVY ELECTRICALS LIMITED  
FSIP, JAGDISHPUR

CERALIN DESIGN DOCUMENT

Document No. : E&D: 306

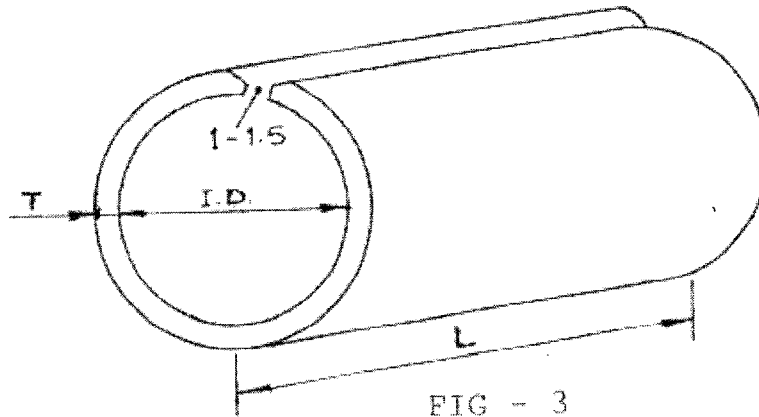
Section No. : 04

Section Rev. No.: 00

Section Rev. Date: 04.07.19

Issue No: 01

Page 3 of 8



At this stage the circumference compatibility with the corresponding length of development template of segment profile is to be checked and difference; if any, to be corrected to match with the template.

Welding is carried out as per welding procedure E&D: 330. On completion of welding, the pipe is to be re-rolled in order to correct for ovality and the maximum ovality permissible is 2mm. Use templates (extended curvature) for verifying ovality.

b) TEMPLATE :

Development drawing/ template for the type of segment is made first. The parameters to be considered for making the angular segment templates are 'R' the mean radius of bend. Inner diameter of the casing (ID) the corresponding angle for the segment and the pipe thickness (T). The possible types of segments can be categorized under any of the following shown in Fig. 4.

For angles  $\alpha$ ,  $\beta / 2$ ,  $\gamma$  &  $\delta$  the corresponding values of X & Y are calculated as

Prepared By

Functional Chief (Engineering)

Approved By

HOD (Engineering)

BHARAT HEAVY ELECTRICALS LIMITED  
FSIP, JAGDISHPUR

CERALIN DESIGN DOCUMENT

Document No. : E&D: 306

Section No. : 04

Section Rev. No.: 00

Section Rev. Date: 04.07.19

Issue No: 01

Page 4 of 8

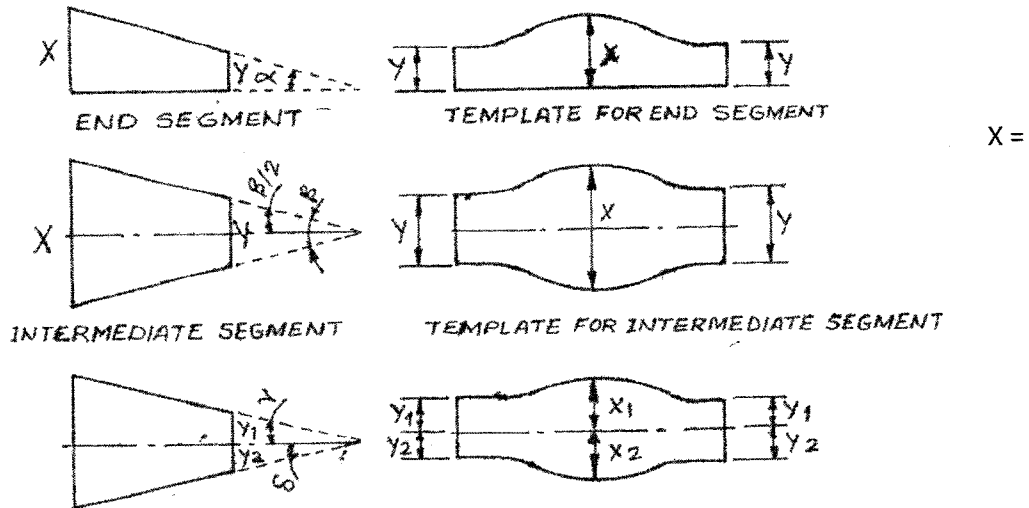


FIG - 4

$$\begin{aligned} & \{(R+OD/2) \tan \alpha\} - 1 \\ & = \{2(R+OD/2) \tan \beta/2\} - 2 \\ & = (R+OD/2) \tan \gamma + \tan \delta - 2 \\ X & = x_1 + x_2 = \{(R+OD/2) \tan \gamma + (R+OD/2) \tan \delta\} - 2 \\ Y & = \{(R-OD/2-2) \tan \alpha\} - 1 \\ & = \{2(R-OD/2-2) \tan \beta/2\} - 2 \\ & = \{(R-OD/2-2) (\tan \gamma + \tan \delta)\} - 2 \\ Y & = Y_1 + Y_2 \\ & = \{(R-OD/2-2) \tan \gamma + (R-OD/2-2) \tan \delta\} - 2 \end{aligned}$$

The dimensions broadly shown are then transferred into a thin metal sheet of thickness <1 mm or sufficiently thick brown paper for making the working template.

They can be suitably identified by inscribing the angle, the radius of bend and the corresponding OD.

Prepared By

Functional Chief (Engineering)

Approved By

HOD (Engineering)

BHARAT HEAVY ELECTRICALS LIMITED  
FSIP, JAGDISHPUR

CERALIN DESIGN DOCUMENT

Document No. : E&D: 306  
Section No. : 04  
Section Rev. No.: 00  
Section Rev. Date: 04.07.19  
Issue No: 01  
Page 5 of 8

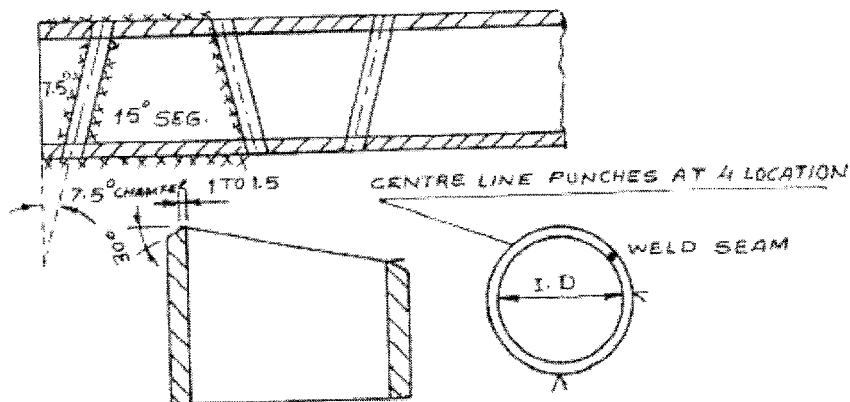


FIG - 5 & 6

c)

i. CUTTING OF SEGMENT AND EDGE PREPARATION

The template cut to the desired dimensions is now wrapped around the pipe, care should be taken to align the pipe such that the Longitudinal seam location is not at any of the four location as shown in Fig. 5 and the segment boundaries are traced out with the help of a scribe and punch mark, made at regular intervals (about 1/2" to 1"). This line makes the nominal dimension desired. The template is now laterally shifted by 2mm and one more line is scribed parallel to the previous punchy marked line. This line is for gas cutting of segment and is shown in Fig. 6.

After cutting of the segments the edges are to be ground to the nominal dimensions as per the punch-marked nominal dimensions boundary line.

The segments so obtained are now to the nominal dimensions. a chamfer of 30 carefully given so that a land of 2mm is retained on the ground edge surface towards the interior of the pipe, under no circumstance one must grind off completely and then try to impart the land of 2mm. The same shall be checked with a gauge prior to welding.

Prepared By

Functional Chief (Engineering)

Approved By

HOD (Engineering)

BHARAT HEAVY ELECTRICALS LIMITED FSIP, JAGDISHPUR  CERALIN DESIGN DOCUMENT	Document No. : E&D: 306 Section No. : 04 Section Rev. No.: 00 Section Rev. Date: 04.07.19 Issue No: 01 Page 6 of 8
---	---

c)

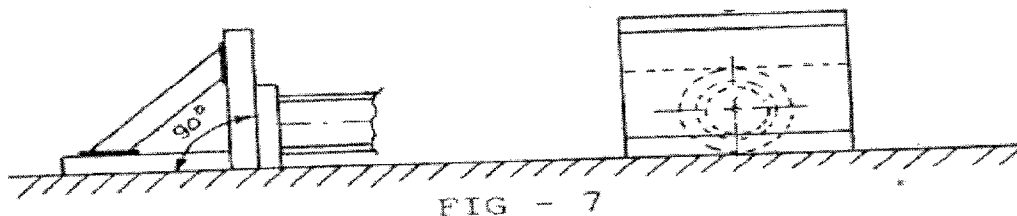
## ii. PROCEDURE FOR SEGMENT CUTTING OF ELBOW (REDUCER TYPE)

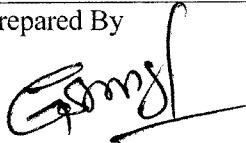
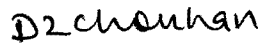
We have to calculate mean arc length which is  $rs/180$ . It is the length of reducer cylinder which requires OD1 (bigger dia) at one end and OD2 (smaller dia) at other end after rolling. Now marking should be done for 1st segment at  $7.5^\circ$  and similarly for 2nd, 3rd to 7th segment. The cutting, edge preparation and welding should be done as per normal procedure.

## d) WELDING OF SEMENTS/END RINGS

Welding in general shall be in accordance with welding Procedure E&D: 330 and D. P. Test on weld surfaces in accordance with E&D: 331 and the welding rods used shall be chosen only from the list of BHEL approved welding rod brands as specified in E&D 330.

Welding of segments to be carried out on a layout drawn on a levelled plate having an appropriate end fixture. The end fixtures shall be in the form of rugged square (or rectangular/ plates secured/welded rigidly) to form a right angle as shown in Fig. 7.



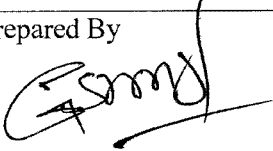
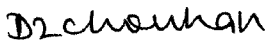
Prepared By  Functional Chief (Engineering)	Approved By  HOD (Engineering)
--	---

BHARAT HEAVY ELECTRICALS LIMITED FSIP, JAGDISHPUR  CERALIN DESIGN DOCUMENT	Document No. : E&D: 306 Section No. : 04 Section Rev. No.: 00 Section Rev. Date: 04.07.19 Issue No: 01 Page 7 of 8
---	---

On the outer side of the bend layout, suitable angle bars are welded at 90 to the levelled plate so that they form guides for proper positioning of the segments and also prevent distortion during welding of two segments.

To obtain a fully welded bend casings the following steps must be followed.

- Step 1 : Draw the appropriate layout as shown in the sheets from 11—14
- Step 2 : Align the end fixture at the two bends of the layout and position them rigidly
- Step 3 : Weld the two end segments onto the end rings taking care for concentricity of casing and end rings and for face perpendicularity, with respect to pipe axis.
- Step 4 : Now position these end segments integral with end rings on layout and clamp them by end rings to the end fixtures.
- Step 5 : Proceed with aligning other intermediate segments simultaneously from both ends to minimize errors in assembly and perform joint welding \* (by tack or full welding as the case may be) .

Prepared By  Functional Chief (Engineering)	Approved By  HOD (Engineering)
--	---

BHARAT HEAVY ELECTRICALS LIMITED FSIP, JAGDISHPUR  CERALIN DESIGN DOCUMENT	Document No. : E&D: 306 Section No. : 04 Section Rev. No.: 00 Section Rev. Date: 04.07.19 Issue No: 01 Page 8 of 8
---	---

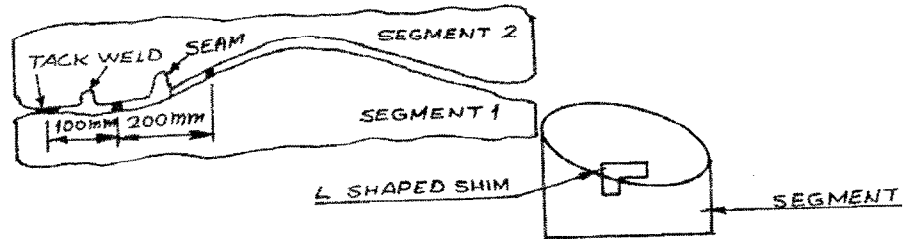
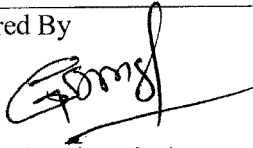
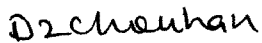


FIG - 8

## NOTE :

- i. Follow sequential welding of segments when fully welded segments as desired.
- ii. For tack-welded segments the tacks to be given should not be more than 20 mm and spaced at 200 mm. And care should be taken not to tack weld at the marking of aligning center punch marks.
- iii. For tack welded segments suitable shims shall be placed to maintain the gap and configuration. as shown in Fig. 8
- iv. Suitable corrective measures in respect of fixture rigidity and welding process may be warranted from dimensional inspection on layout of the finished job after adequate ageing (i.e. one day) and the same shall accordingly be carried out by the fabricator so that post operational deviations in dimension are within the permissible limits (as per casing drawing) .

Prepared By  Functional Chief (Engineering)	Approved By  HOD (Engineering)
--	---

BHARAT HEAVY ELECTRICALS LIMITED FSIP, JAGDISHPUR  CERALIN DESIGN DOCUMENT	Document No. : E&D: 306 Section No. : 05 Section Rev. No.: 00 Section Rev. Date: 04.07.19 Issue No: 01 Page 1 of 1
---	---

## 5.0 LIST OF INSTRUMENTS:

---

LIST OF MEASURING INSTRUMENTS, GAUGES AND TEMPLATES REQUIRED FOR  
MANUFACTURING AND INSPECTION OF CASINGS FOR (MITRED) PF BENDS

---

### 1.0 MEASURING INSTRUMENTS

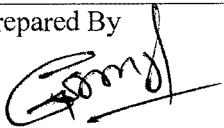

- Spring divider and spring calipers
- Bar compass
- Measuring tapes (calibrated) 3—5 meters
- Measuring scales (metallic) up to 1 meter
- Vernier caliper to check ID/OD/Thickness of flanges
- Combination square set 1 no.

### 2.0 GAUGES

- To check chamfering and weld dimensions
- Angle templates
- Profile templates for checking ovality

### 3.0 OTHER AIDS

- Straight edge (up to 3 meters length) 1 no.
- Precision squares (1 meter height) 2 nos.
- Spirit level (600mm length vertical and horizontal) nos.
- Plumb line.
- Filler gauge

Prepared By  Functional Chief (Engineering)	Approved By  HOD (Engineering)
--	---

BHARAT HEAVY ELECTRICALS LIMITED FSIP, JAGDISHPUR  CERALIN DESIGN DOCUMENT	Document No. : E&D: 306 Section No. : 07 Section Rev. No.: 00 Section Rev. Date: 04.07.19 Issue No: 01 Page 1 of 2
---	---

### 7.0 INSPECTION PROCEDURE FOR PIPE CASING

1.0 Layout is drawn on the levelled plates as per nominal dimensions.

2.0 The pipe is suitably positioned on this layout by packing plates at the bottom such that the center line is maintained uniformly. Refer section 05 of E&D: 306 for inspection aids.

3.0 Bends, & Elbows.


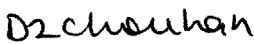
The radial and axial shifts at both the pipe ends are measured and recorded. The out of squareness and inner diameter at both ends are also measured.

3.2 Straight pipes.

One end is matched squarely on the layout and measurement made at the other end.

4.0 Acceptance criteria:

Acceptance of bends and elbows with radial shifts, axial shifts and out of squareness will be in accordance with the norms given in the table or as per drawing requirements for the fully welded casings/ tack welded casings if specifically mentioned.

Prepared By  Functional Chief (Engineering)	Approved By  HOD (Engineering)
--	---

BHARAT HEAVY ELECTRICALS LIMITED FSIP, JAGDISHPUR  CERALIN DESIGN DOCUMENT	Document No. : E&D: 306 Section No. : 07 Section Rev. No.: 00 Section Rev. Date: 04.07.19 Issue No: 01 Page 2 of 2
---	---

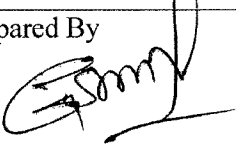
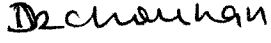
**TABLE****4.1 FOR FULLY WELDED CASINGS:**

	Bends/Elbows	Straight pipe
1. Radial shift	± 5mm	Not applicable
2. Axial shift	5mm	Not applicable
3. Out of squareness		
FOR C & A TYPE *	2.0 mm	2.0 mm
FOR B TYPE*	3.0 mm	3.0 mm
4. Axis shift	Not applicable	± 2mm

**4.2 FOR TACK/FULLY WELDED SEGMENTED CASINGS:**

	Bends/Elbows	Straight pipe
1. Radial shift	±3mm	Not applicable
2. Axial shift	±5mm	Not applicable
3. Out of squareness		
FOR C & A TYPE *	1.5mm	1.5mm
FOR B TYPE*	2.0mm	2.0mm
4. Axis shift	Not applicable	± 2mm

\* These 'Types' refer to the terminal end rings.

Prepared By  Functional Chief (Engineering)	Approved By  HOD (Engineering)
--	---

BHARAT HEAVY ELECTRICALS LIMITED  
FSIP, JAGDISHPUR

WELDING & PAINTING PROCEDURE

Document No.: E&D: 330  
Section No.: 04  
Section Rev. No.: 00  
Section Rev. Date: 04.07.19  
Issue No: 01  
Page 1 of 2

#### 4.1 WELDING PROCEDURE:

4.1.1 The welding procedure outlined will be followed to ensure uniform and good quality welding.

4.1.2 The welding must be Arc / Flux cored after maintaining proper fit up.

4.1.3 The material specification of welding electrodes/Flux core wire to be as below:

**A Electrode: MS - E 6013**

Arc welding (2.5 mm , 3.15 mm or 4.0 mm):- make

Advani- Oerlikon: Overcords	D&H : Medio	Rockweld: V-117	I.O.L/ESAB: Vordian/Ferrospeed plus
--------------------------------	----------------	--------------------	---

**Electrode: SS - E 7018**

Arc welding ( 2.5 mm , 3.15 mm or 4.0 mm ) : - make

Advani-Oerlikon: Supercito	D & H : Supra Therme	ESAB: Ferro Weld-2 / ESAB 36 H
-------------------------------	-------------------------	-----------------------------------

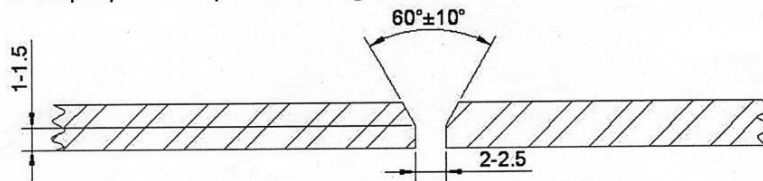
**B MIG WELDING:- (Flux core wire 1.6 mm or 1.8 mm)**

**Solid wire core** for MS -- ER 70S-6

For SS-- ER-308 L /ER309 L

**Make- Ador /D&H/Esab/D&H Sechron/Cotmac**

4.1.3 Edges to be prepared as per following sketch:



4.1.4 Root pass welding to be carried out buy using 2.5 mm welding electrodes ,further filling may be done either by 3.15 mm or 4.0 mm electrodes/Root pass welding to be carried out by 1.2 mm to 1.8 mm dia flux core wire ,further filling by 1.2 mm to 1.8 mm flux core wire.

4.1.5 Ensure root weld is uniform and penetration is proper.

4.1.6 Between two passes, remove slag and clean weld surfaces.

Prepared By

*[Signature]*

Functional Chief (Engineering)

Approved By

*[Signature]*

HOD (Engineering)

BHARAT HEAVY ELECTRICALS LIMITED  
FSIP, JAGDISHPUR

WELDING & PAINTING PROCEDURE

Document No.: E&D: 330  
Section No.: 04  
Section Rev. No.: 00  
Section Rev. Date: 04.07.19  
Issue No: 01  
Page 2 of 2

4.1.7 In case of undercut grind the weld surface smooth and fill up with 2.5 mm welding electrode/wire core.

4.1.8 Employ down hand method for welding.

#### 4.2 CHECK POINTS:

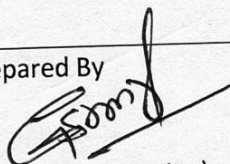
Audit checks are conducted for the quality of welding of every ceralin item. The Die Penetration test is to be carried as per E&D:331 after each root pass.

The visual examination of welding is to be carried out as per detail below:

1. The weld shall be free of cracks.
2. The face of weld shall be flush with the surface of base metal & weld shall merge smoothly with base metal. Undercut shall not exceed 1 mm & welding reinforcement shall not exceed 3 mm.
3. The root of weld shall be inspected & there shall be no evidence of cracks, incomplete fusion or inadequate joint penetration.
4. The weld shall be free from overlap.
5. The weld shall be free from accumulated slag the sum of the greatest dimensions of which shall not exceed 6 mm.
6. Grinding is not allowed on weld bead.
7. Grinding of all gas cut portion to be ensured ( including lifting lug )

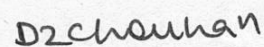
**4.3 Welder Qualification:** Welder qualification test to be done strictly for each welder as per AWS D-1.1 by a third party NABL accredited lab once in a year.

Prepared By



Functional Chief (Engineering)

Approved By



HOD (Engineering)

BHARAT HEAVY ELECTRICALS LIMITED  
FSIP, JAGDISHPUR

WELDING & PAINTING PROCEDURE

Document No.: E&D: 330  
Section No.: 05  
Section Rev. No.: 00  
Section Rev. Date: 04.07.19  
Issue No: 01  
Page 1 of 2

## 5. PAINTING PROCEDURE:

5.1. This procedure covers the requirements of primer and Final paint for M. S. Casing for in-land applications/costal region/export

5.2. This procedure specifies the painting requirements to provide adequate surface protection.

### 5.3. SPECIFICATION OF PRIMER/PAINT:-

Type of paint	Specification	Make
Alkyd Red Oxide Zinc Phosphate Primer	As per IS:12744 –DFT 30 Mic /coat	Berger ,Asian Paint , Dulux
General Purpose Aluminium Paint	As per IS:2339-DFT 30 mic/coat	Berger ,Asian Paint , Dulux
For costal region /Export / Special items ,paint type to be specified by the customer	As per specification provided by the customer	Berger ,Asian Paint , Dulux

### SURFACE PREPARATION:-

5.3.1. Surface of component shall be thoroughly cleaned before the application of primer paint by either Power Tool cleaning (SSPC-SP3) or Abrasive Blast cleaning. The surface shall be free from dust, rust, weld, slag, spatters, oil, grease etc.

### 5.4. APPLICATION OF PAINT:-

5.4.1. Surface prepared as mentioned above shall be applied with one coat of Alkyd Red Oxide Zinc Phosphate primer (as per IS:12744) where no special primer is mentioned for M.S. Casing.

Prepared By

Functional Chief (Engineering)

Approved By

D2 Chauhan  
HOD (Engineering)

---

BHARAT HEAVY ELECTRICALS LIMITED  
FSIP, JAGDISHPUR

WELDING & PAINTING PROCEDURE

Document No.: E&D: 330  
Section No.: 05  
Section Rev. No.: 00  
Section Rev. Date: 04.07.19  
Issue No: 01  
Page 2 of 2

---

#### 5.5. GENERAL:-

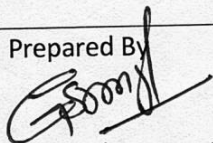
- 5.5.1. Paint make Berger /Dulux / Asian shall be used as supplied by the supplier without any addition of thinner.
- 5.5.2. Primer shall be thoroughly stirred before application. Primer can either be applied on surface by brushing or spraying using compressed air uniformly. The thickness of the primer shall not be less than 30 microns/coat (where no other specifications are mentioned).
- 5.5.3. Adequate drying time is to be allowed after each coat before next coat of paint.
- 5.5.4. No painting is required in case of Stainless Steel components, unless otherwise specified.
- 5.5.5. For all machined components, rust preventive fluids shall be used (where no other specifications are mentioned).
- 5.5.6. Rusting of received material at BHEL IP will be treated as use of poor paint / process and the same will be outrightly rejected or repainting will be done on the risk and cost of supplier on the discretion of BHEL.

#### 5.6. Inspection:-

- 5.6.1. Surface preparation, primer coating shall be checked at appropriate stages by executing agency before proceeding to next operation.

---

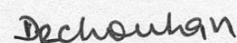
Prepared By



Functional Chief (Engineering)

---

Approved By



HOD (Engineering)

---

BHARAT HEAVY ELECTRICALS LIMITED FSIP, JAGDISHPUR	Document No. : E&D: 331 Section No. : 04 Section Rev. No.: 00 Date of Rev. : 04.07.19 Page : 1 of 3
DYE PENETRATION TEST PROCEDURE	

**1.0 Scope:**

This procedure shall be used for colour contrast (visible dye) method of liquid penetrant examination of materials for detecting discontinuities in welded joints of MS casings/ rings/ Cones.

**2.0 METHOD AND MATERIALS:**

A visible dye penetrant which can be easily seen in natural light or in artificial light shall be used (Solvent removable penetrant and Non Aqueous suspended type developer) •

**3.0 SURFACE PREPARATION:**

3.1 In general, satisfactory results may be obtained in the as welded, as forged, as cast and as rolled condition. Machining and grinding may be required when surface irregularities would otherwise mask the indications of unacceptable discontinuities.

3.2 Prior to penetrant examination the surface shall be carefully examined. Surface shall be free from dirt, grease, lint, scale, welding flux, spatters or any extraneous matter which may be tend to cover. Surface openings or otherwise interfere with proper evaluation of test result.

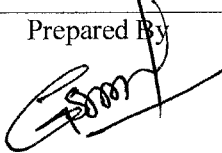
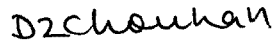
3.2.1 Adjacent areas to a minimum length of 25mm on either side of the weld shall be prepared as specified in 3.2.

3.2.2 Surfaces shall be thoroughly cleaned using acetone before applying penetrant.

3.2.3 Surface shall be dried at least 3 minutes prior to Application of Penetrant.

**4.0 PENETRATION APPLICATION**

4.1 The penetrant shall be applied by dipping, brushing or spraying. If the penetrant is applied by spraying, using compressed air. type apparatus, a filter shall be placed at the air inlet to preclude contamination of penetrant by oil, water or dirt that might have collected in the air lines.

Prepared By 	Approved By 
Functional Chief (Engineering)	HOD (Engineering)

BHARAT HEAVY ELECTRICALS LIMITED FSIP, JAGDISHPUR	Document No. : E&D: 331 Section No. : 04 Section Rev. No.: 00 Date of Rev. : 04.07.19 Page : 2 of 3
DYE PENETRATION TEST PROCEDURE	

- 4.2 The temperature of the penetrant and the surface of the part to be processed shall not be below 16°C nor above 52°C throughout the examination period.
- 4.3 Minimum penetration time shall be 15 minutes.

#### 5.0 EXCESS PENETRANT REMOVAL:

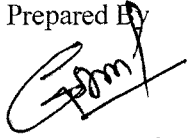
- 5.1 After the penetrant time specified above in column 4.3 has elapsed any penetrant remaining on the surface shall be removed, taking care to minimize removal of penetrant from the discontinuities.
- 5.2 Penetrant shall be removed by wiping with a clean lint free dry cloth. The operation should be repeated until most traces of penetrants are removed. A clean dry cloth moist with solvent (cleaner) shall then be used to wipe the surface lightly. Extreme care shall be taken to prevent over cleaning as over cleaning can and does remove penetrant from discontinuities. Under no circumstances cotton waste shall be used for removing penetrant.

#### 6.0 DEVELOPER APPLICATION:

- 6.1 After cleaning, developer shall be applied by spraying, prior to applying the developer it must be thoroughly agitated to ensure adequate dispersion of the suspended particles. A uniform thin coating of developer must be applied. Conversely avoid the formation of parts of developer in the cavities since heavy coatings may mask indication.
- 6.2 Allow 5 minutes for the developer to dry before the start of inspection and a maximum of 30 minutes to complete the interpretation of results of the examination.

#### 7.0 EVALUATION OF INDICATION:

- 7.1 Discontinuities open to the surface will be indicated by the bleeding out of the penetrant. Localized surface imperfection which occur from machining marks, or surface irregularities shall be ignored as non-relevant indication.
- 7.1.1 Non—relevant indication and broad areas of pigmentation, which would mask indication of defects, shall be reprocessed and retested.
- 7.2 Relevant indications are those, which result from discontinuities open to surfaces. Linear indications are those indications in which the length is more than three times the width. Rounded indications are circular or elliptical with length lesser than three times the width.

Prepared By 	Approved By 
Functional Chief (Engineering)	HOD (Engineering)

BHARAT HEAVY ELECTRICALS LIMITED FSIP, JAGDISHPUR	Document No. : E&D: 331 Section No. : 04 Section Rev. No.: 00 Date of Rev. : 04.07.19 Page : 3 of 3
DYE PENETRATION TEST PROCEDURE	

**8.0 ACCEPTANCE CRITERIA:**

No cracks are permitted on any surface.

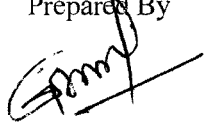
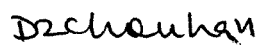
**8.1 WELDS :**

8.1.1 The following indications are not acceptable:

- a) Only indications with major dimensions greater than 1.6mm shall be considered as relevant.
- b) Unless otherwise specified the following relevant indications are unacceptable:
  1. Any cracks or linear indications.
  2. Rounded indications with dimensions greater than 4.8mm.
  3. Four or more rounded indications in a line separated by 1.6mm or less edge to edge.
  4. Ten or more rounded indications in any 3870 Sq. mm (6 Sq. in) of surface with the major dimension of this area not to exceed 152 Sq. mm with the area taken in the most unfavourable location relative to the indications being evaluated.

**9.0 POST EXAMINATION CLEANING:**

9.1 As soon as practical, after completion of the penetrant examination the completed parts shall be cleaned to remove residual penetrants materials.

Prepared By 	Approved By 
Functional Chief (Engineering)	HOD (Engineering)


SL. NO		COMPONENT	CHARACTERISTICS & OPERATIONS	CLASS	TYPE OF CHECK	QUANTUM OF CHECK		REFERENCE DOCUMENT#	ACCEPTANCE NORMS	FORMAT OF RECORD	AGENCY		REMARKS
						M	C				M	C	
1.	2.	3.	4.	5.	6.		7.	8.	9.	10.		11.	
1.0	Steel Plates for Casing & Rings	a) Chemical Composition	Maj.	Chemical	1sample/ lot	1sample/ lot	IS:2062 (Gr.A)	IS:2062 (Gr.A)	MTC / Test Report	P	V	Correlated test certificate and inspection reports to be maintained by Vendor.  Mechanical test shall be witnessed by BHEL in case material purchased & used without correlated MTC.	
		b) Mechanical Properties	Maj.	Mechanical	-do-	-do-	IS:2062 (Gr.A)	IS:2062 (Gr.A)	MTC / Test Report	P	V		
2.0	Fabricated Casing	a) Suitability of welding procedure Specification	Maj.	Procedure qualification test	Once	Once	E&D:330 Section 04	E&D:330 Section 04	Welding procedure & Qualification record	P	W	Qualification test of welder done at BHEL's/ Vendor's work may be witnessed by BHEL.  Records shall be maintained.	
		b) Capability of welder in adopting welding procedure	Maj.	Procedure qualification test	Periodically once in one year for each welder	Periodically once in one year for each welder	E&D:330 Section 04	E&D:330 Section 04	Qualification certificate	P	W		

**LEGEND:**

M: MANUFACTURER C: BHEL, P: PERFORM W: WITNESS AND V: VERIFICATION (AS APPROPRIATE) CHP: BHEL SHALL IDENTIFY IN COLUMN "C" AS "W".

Note:# BHEL Inspection Engineer to check, approval date/ revision no. of reference documents at the time of Inspection

945018/2022/FSIP-R&amp;D\_UNIT

MANUFACTURER'S NAME AND ADDRESS:		REFERENCE QUALITY PLAN						TO BE FILLED IN BY BHEL					
 AS PER PO/RC		ITEM/EQUIPMENT :		SQP NO.:		SIGN. OF MFGR		PAGE: 2 OF 2		REVIEWED BY:		APPROVED BY:	
		METAL PART (CASING) FOR CERALIN LINED ITEMS		CER/2020-21/02		REV. NO.: 00				07/09/20		07/09/20	
SL. NO	COMPONENT	CHARACTERISTICS & OPERATIONS	CLASS	TYPE OF CHECK	QUANTUM OF CHECK		REFERENCE DOCUMENT#	ACCEPTANCE NORMS	FORMAT OF RECORD	AGENCY		REMARKS	
					M	C				M	C		
1.	2.	3.	4.	5.	6.		7.	8.	9.	10.		11.	
2.0	Fabricated Casing (Cont.)	c) Welding i) Fit up ii) Root run  d) Liquid penetrate inspection for weld joints i) Butt Joint ii) Fillet Joint  e) Welding Quality & Finished  f) Dimension  g) Painting	Maj.	Visual Visual	100% 100%	10% 10%	Drawing Drawing	Drawing Drawing	Inspection Report QAC 4301 & 4302	P P	V V	BHEL shall verify the record at sub-contractor works and carryout the check on min 10% of samples selected at random for the test. If any sample fails, 100% of the lot shall be checked.  The evaluation of LPI of welded joints is to be carried out by persons having min ASNT Level-II Qualification.  Welder's identification shall be recorded.	
			Maj.	NDT	100% 10%	10%	E&D:331 Section 04	E&D:331 Section 04	Inspection Report	P	W		
			Maj.	Visual	100%		E&D:330 Section 04	E&D:330 Section 04	Inspection Report	P	W		
			Maj.	Physical	100%		Drawing	Drawing	Inspection Report QAC 4306	P	W		
			Maj.	Physical	100%		E&D:330 Section 05	E&D:330 Section 05	Inspection Report QAC 4307	P	W		
3.0	Documentation	Review & Record of Inspection Reports	Maj.	Review of document	100%	100%	As Above	-	As Above	P	V		
4.0	Quality Requirement	Complete quality requirement	Maj.	Review of document	100%	-	QR/20-21 Rev00	-	-	P	-	BHEL inspector may seek records for compliance of its quality requirement document.	

**LEGEND:**

M: MANUFACTURER C: BHEL, P: PERFORM W: WITNESS AND V: VERIFICATION (AS APPROPRIATE) CHP: BHEL SHALL IDENTIFY IN COLUMN "C" AS "W".

Note:# BHEL Inspection Engineer to check, approval date/ revision no. of reference documents at the time of Inspection





FSIP-JAGDISHPUR

**INSPECTION REPORT OF M.S.CASING  
CERALIN EXCEPT PF BEND/FIE/MOE**

FORMAT NO. QAC :4302

SUPPLIER : P.O. NO.:  
 ITEM : DRAWING NO.:  
 CONTRACT/WO : DATE OF INSPECTION :

SI. No.	CHARACTERISTIC	RANGE	OBSERVATION					
			1	2	3	4	5	

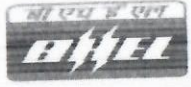
INSPECTED BY: REVIEWED BY:

INSPECTION REMARK BY BHEL REPRESENTATIVE

*[Handwritten Signature]*

*[Handwritten Signature]*

*[Handwritten Signature]*



FSIP-JAGDISHPUR

**CHECK SHEET FOR FINAL INSPECTION OF  
CASING FOR PF BEND/FIE/MOE**

Format No: QAC: 4306 Rev.00

ITEM:  
P.O. NO.:  
P.O. DATE:

DRAWING NO.:  
DATE OF INSPECTION:  
SUPPLIER:

Sl. No.	Pattern No.	Angle (θ)	C2	OAL	IAL	Flange O.D.		Flange I.D.		Welding	Lug Position	Painting
						AHS	TES	AHS	TES			
1												
2												
3												
4												
5												
6												
7												
8												
9												
10												

Remarks:

Inspected By:

Approved By:

*[Handwritten Signature]*

*[Handwritten Signature]*

*[Handwritten Signature]*



FSIP-JAGDISHPUR

**PAINING CERTIFICATE**

FORMAT NO. QAC :4307

SUPPLIER :-  
ITEM :-  
DATE OF INSPECTION :-

P.O. NO.:-  
DRAWING NO.:-  
Painting reference No.:-

Sl. No.	PATTERN NO	PARTY IDENTIFICATION MARK	PROPER SURFACE PREPARATION	VISUAL PAINTING	Required Minimum DFT	OBSERVED DFT

This is certified that the above MS casing are painted as per related painting scheme / Zinc Chrome Red oxide Alkyl Primer confirming to IS – 2074 and as per CE -0265.20.

INSPECTED BY:

REVIEWED BY:

INSPECTION REMARK BY BHEL REPRESENTATIVE

*[Handwritten Signature]*

*[Handwritten Signature]*

*[Handwritten Signature]*

## QUALITY REQUIREMENTS

Following quality requirement is for the suppliers of M.S. Casings of BHEL FSIP, Jagdishpur. Each supplier participating in Rate Contract shall go through the Terms & Condition of this document thoroughly and participate in RC as per their facilities and 'Process Maturity' in line with this document. Supplier may has to submit documentary proof/present physically of all requirements as and when required by BHEL.

### A. RAW Material

#### 1. M.S.Sheet:-

- As per BHEL Drawing
- Receipt and Issue of material used for BHEL supply shall be maintained as per enclosed Annex-A
- Correlated test certificate of material will be required along with each dispatch of M.S Casing.

#### 2. Welding Electrode:-

- As per latest revision of document no. E&D 330 section 04.
- Photocopy of invoices of procurement of welding rod/flux core wire may be asked by BHEL against its PO to ensure type/make & quality of electrode used.

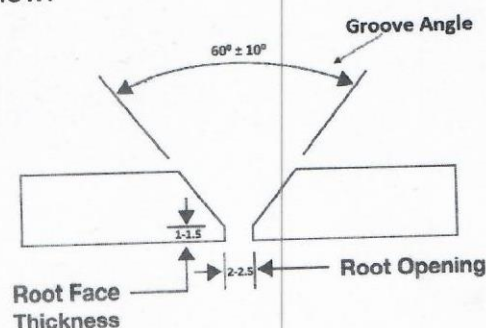
#### 3. Paint:-

- As per latest revision of document no. E&D 330 section 05.
- Any other painting requirement will be indicated in drawing /painting scheme. It will be provided by BHEL separately with PO.
- Photocopy of invoices of procurement of paint may be asked by BHEL against their PO to ensure quality & make of paint used.

### B. Fabrication/In-Process

#### 1. Fabrication of M.S.Casing:

- As per BHEL Document E&D 306 (Latest revision) and BHEL Drawing.
- Proper fit-up is to be maintained as below:



#### 2. Welder Qualification:

- Once in every Year for each welder to be done strictly as per AWS D-1.1 by a third party NABL Accredited Lab. On lack of valid welder qualification certificate Casing manufacturing may be hold by BHEL until submission of the same. BHEL may witness welder qualification.

*[Signature]*

*[Signature]*  
Page 1 of 4

*[Signature]*

3. **Welding/Hard facing: (Strictly as per E&D: 330)**
  - Proper Penetration Required
  - No Grinding on Weld bead allowed
  - Grinding of all gas cut portion to be ensured (including lifting lug)
4. **Machining:**
  - Surface roughness of 6.3 micron or as specified in drawing to be achieved at complete machining portion.
  - **Grinding/welding is strictly prohibited on machined portion.**
5. **Painting: As per BHEL Document E&D: 330 (Latest revision) & BHEL Drawing**
  - Power Tool cleaning (SSPC-SP3) or Abrasive Blast cleaning for removal of dust, rust, weld, slag, spatters, oil, grease etc. before painting is must.
  - No thinner to be added in paint.
  - Rusting of received material at BHEL FSIP will be treated as use of poor paint/process and the same will be out rightly rejected or Repainting will be done on the risk and Cost of supplier on the discretion of BHEL.
  - Any other painting requirement will be indicated in drawing / painting scheme. It will be provided by BHEL separately.

### C. Instruments for Inspection

1. Duly spirit leveled surface plate
2. One meter Right Angle (Tri square)
3. 01 meter height gauge
4. 02 nos. Vernier Caliper, Range (0-1000 mm & 0-300 mm)
5. 02 nos. Measuring Tape, Range (0-3000mm & 0-5000mm)
6. Ultrasonic wall thickness gauge (i.e. D' meter)
7. Digital Coating thickness gauge for checking thickness of paint
8. Feeler gauge, spirit level, 01 meter scale, Plumb Bob
9. Proper Materials Handling / movement, instrument like as overhead crane/ Hydra etc
10. Digital Surface roughness gauge for checking the roughness of machined parts.
11. Hardness tester for checking the hardness of hard facing
12. Any kind of other instrument as per requirement of BHEL shall be arranged by the supplier

**All above Instrument's Calibration should be traceable to NABL/BHEL approved Lab. BHEL reserves the right to stop inspection in case of unavailability of above instruments.**





**D. BHEL Inspection/Audit**

1. Inspection call shall be raised by the vendor at least 1-2 days in advance by email to BHEL QC with a copy to MM having specific call number & details of items offered for inspection i.e. name of item as per PO, drawings number, variant number, stage of inspection, PO number, quantity offered, proposed date of inspection etc.
2. Call will be raised along with its dimension report actually measured and fill by vendor's QC/production at the required format of inspection. Each inspection call will have following disclaimer in the email:  
"Material is ready for inspection as per above schedule. However, only positive variation in Quantity may be there. All the calibrated Measuring instruments are available with us for the above inspection. We have ensured that casing is fabricated as per BHEL specifications. [I.e. material conforms IS: 2062 Grade A (Latest Revision). Fabrication is done strictly as per E&D: 306 and welding is carried out as per E&D: 330]. The above lot offered to you is already checked at our end and found acceptable."
3. **No items shall be dispatched without clearance by BHEL.**
4. BHEL Authorized representative/ Inspectors will have right of inspection/Audit/Photography of BHEL product at any supplier's premises without prior notice. Documentary evidence of compliance of above quality requirement shall be maintained by vendor and may be verified by BHEL.
5. In case of violation of quality requirements, BHEL Reserves the right to out rightly reject/ Hold for Rectification/Rectify at risk and cost of Supplier. BHEL also reserves the right to cancel the Purchase order or perform Risk Purchase.
6. **PDI/inspection done by BHEL at vendor's does not absolve vendor of their responsibility to supply a quality product as per specification/drawings etc. Vendor has to rectify / replace the casing if the casing is not manufactured as per drawing & discrepancy observed later after receipt at BHEL's work or at BHEL's customer site.**



QR/20-21 Rev.00

Annexure-A

Vendor Name and address

Ref No.....

Date: \_ / \_ / \_

**M/s. BHARAT HEAVY ELECTRICALS LIMITED  
 FABRICATION, STAMPING & INSULATOR PLANT  
 JAGDISHPUR INDUSTRIAL AREA, DISTT. AMETHI U.P.227817**

Kind Attention-

Invoice No. -

Invoice Date -

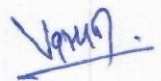
Sub: Material used against BHEL Purchase Order No. .... Dated.....

Dear Sir,

With reference to above order, we are submitting our material test certificate for following material used in manufacturing of M.S. casing.

Sl. No.	Plate Thickness	Test Certificate No.	Opening Balance	Material Consumption	Closing Balance

Authorised Signatory



## GENERAL TERMS AND CONDITIONS OF ENQUIRY

GTC/FSIP/PUR/01 Rev:01

Sl. No.	Description
1	<b>General:</b>
A	These General Terms & Conditions (GTC) shall apply to all enquiries, notice inviting tenders, request for quotations concerning the supply of goods and / or rendering of services to Bharat Heavy Electricals Ltd., Jagdishpur (hereinafter referred to as BHEL or the Purchaser) or its Projects / Customers. Special / supplementary terms and conditions of enquiry, if any, will override the conditions in this annexure.
2	<b>General Instructions - Common for Indigenous &amp; Foreign enquiries</b>
A	<b>Through E- procurement-</b>
	<ol style="list-style-type: none"> <li>1. Offer shall be submitted by the bidders in single / two parts as called in Tender enquiry.</li> <li>2. Bid Part - I      Technical cum Commercial bid Bid Part - II      Price bid</li> <li>3. Suppliers shall quote <b>price</b> on BHEL/authorised third party service provider <b>e-procurement site</b>. Any deviation from the price format shall be clearly brought out in the offer Bid part-I.</li> </ol> <p>The offer shall be uploaded on BHEL e-procurement site using Class III digital signature. <b>Bidders to put sign and seal on all the uploaded documents.</b> The quotation should be uploaded on the site before due date and time.</p> <p>Part-I of the bid shall contain complete item-wise scope of supply as offered vis-à-vis the scope of supply as per enquiry, all commercial terms and conditions etc. It is expected that bidders shall meet all our technical and commercial requirements and shall not deviate from them.</p>
B	<b>Through Tender Room</b>
B1	Sealed bids are invited for scope of Supply / Services as detailed in the enquiry. The quotation should be neatly typed and free from over writing/ erasures. Any correction or addition must be authenticated. The bid should be submitted in English or Hindi language. Relevant enclosures, supporting documents, catalogue, samples, if any, as required as per Notice Inviting Tender (NIT) conditions shall be sent along with technical offer. Rate should be quoted in the units asked for in the enquiry. The rates should be quoted both in figures and words. In case of discrepancy in figures and words, the rates quoted in words shall be considered.
B2	Bids shall be submitted in a Sealed cover with Enquiry No., Due date and Bidder's name indicated on the cover. In case of Two part Bid, technical bid containing technical offer, mandatory documents filled-in & signed; and <b>un-priced copy</b> of the tender should be kept in one envelope. Price Bid containing only the price (as called for in the price format where required) should be kept in a separate envelope. Both envelopes indicating Part-I or Part-II as the case may be to be put in a bigger envelope, which should be addressed to In charge, Tender Box, Administrative Building BHEL FSIP, Industrial Area Jagdishpur, Dist. Amethi-227817, (U.P.) India. Enquiry No., due date and bidder's name must be mentioned on all envelopes. Offer must reach tender box of BHEL FSIP Jagdishpur by 15.00 PM IST on the enquiry due date.
B3	Offer received after <b>15.00 PM IST</b> of the due date will be termed as "Late Tender" and shall not be considered.
B4	Bidder can also submit offer through email, if called for in the enquiry, at the email address indicated in the enquiry. Such email offers shall be sent only on designated email-id to reach before 15.00 PM IST on the tender due date. BHEL will not be responsible for incomplete offers and the ones delivered late through e-mail.
C	Commercial Conditions quoted by the vendor in any place including as stated in bidder's 'General Terms and Conditions' if any, shall not be binding on the Purchaser and the conditions contained in this annexure, including special conditions, if any, for this enquiry shall only prevail.
D	<p><b><u>Wherever Reverse Auction is called for</u></b></p> <p><b>REVERSE AUCTION (RA):</b> "BHEL shall be resorting to Reverse Auction (RA) (Guidelines as available on www.bhel.com) for this tender. RA shall be conducted among the techno-commercially qualified bidders. Price bids of all techno-commercially qualified bidders shall be opened and same shall be considered for RA. In case any bidder(s) do (es) not participate in online Reverse Auction, their sealed envelope price bid along with applicable loading, if any, shall be considered for ranking."</p> <p><b><u>Wherever Reverse Auction is not called for</u></b></p> <p><b>PRICE BID OPENING:</b> Tender shall be finalized via price bid opening of all the techno-commercially qualified bidders in place of RA.</p>



## GENERAL TERMS AND CONDITIONS OF ENQUIRY

GTC/FSIP/PUR/01 Rev:01

	Price bid should contain only price of item. Anything other than price of item shall be invalid. <i>Tender finalization mode (RA or Price bid opening) shall be specified in Special / supplementary terms and conditions of enquiry.</i>
E	The goods offered shall confirm to BHEL specifications and / or National/International standards as mentioned in the Enquiry and the bidder is required to confirm his unconditional acceptance to the same. Vendors, seeking deviations from the specifications and any other conditions, may indicate the same clearly on a separate sheet, with reasons for such deviations. <b>BHEL reserves the right to reject the offer with deviations or load the deviations suitably for evaluation.</b>
F	Offers shall be submitted directly by vendor or his authorized agent only. Unsolicited offers shall be summarily rejected.
G	Bid in single part or techno-commercial bid in <b>two-part</b> system (as the case may be) will be opened on the due date. In case of two part bid, price bids of techno-commercially acceptable bidder(s) only shall be opened on the assigned date.
H	In case of changes in scope and / or technical specification and / or commercial terms & conditions, having price implication, techno-commercially acceptable bidders shall be asked by BHEL to submit the impact of such changes on their price bids. In case a bidder opts to submit revised price bid instead of impact called for, then latest price bid shall prevail.
I	The bidders will submit Integrity Pact, duly signed by its authorized signatory, where called for in the enquiry.
J	Wherever the enquiry is issued to unregistered vendor, the bidder shall visit ' www.bhel.com and online filled up "Supplier Registration Form" on BHEL link ( <a href="http://supplier.bhel.in">http://supplier.bhel.in</a> ) along-with all the supporting documents to be submitted.
K	BHEL expects that the bidder must respond to the enquiry. Regret letter, with valid reasons for not participating in the tender will be submitted where the bidder is unable to submit offer. Repeated lack of response on the part of vendor (Four non responses) may lead to his deletion from BHEL's approved vendor list.
L	Goods shall be properly packed to avoid transit damage. Suitable markings shall be provided to identify the goods with that of the PO No. and the consignee details.
M	Goods shall be consigned to Store Officer, BHEL, FSIP, IA Jagdishpur Dist- Amethi (U.P.) India, unless otherwise specified in the PO.
N	All corrigenda, addenda, amendments, time extensions, clarifications etc. to the tender will be hosted on BHEL website ( <a href="http://www.bhel.com">www.bhel.com</a> )/ <a href="https://eprocure.gov.in/epublish/app/">https://eprocure.gov.in/epublish/app/</a> <a href="https://eprocurebhel.co.in/nicgep/app">https://eprocurebhel.co.in/nicgep/app</a> eProcurement website only.
O	<b>In the course of evaluation, if more than one bidder happens to occupy L-1 status, effective L-1 will be decided by soliciting discounts from the respective L-1 bidders.</b> <b>In case more than one bidder happens to occupy the L-1 status even after soliciting discounts, the L-1 bidder shall be decided by a toss / draw of lots, in the presence of the respective L-1 bidder (s) or their representative(s). Ranking will be done accordingly. BHEL's decision in such situations shall be final and binding.</b>
P	The Purchaser can consider awarding tendered quantities among more than one bidder (after acceptance of L1 price by the other bidders) in the manner and proportion disclosed in the tender conditions. Purchaser can also consider awarding of part of the tendered quantity to other than L-1 bidder at <b>L1</b> counter offered rates, if the quantity offered by the L-1 bidder is less than the quantity tendered for. BHEL can also award order to L1 bidder/counter offer accepted bidders in case any bidder is not supplying/delaying the supplies and in this case the distributed quantity shall not be considered in loading share. The loading of Order shares on suppliers will also be subject to their performance (Quality, Delivery and Service) for the supplies made against Purchase Orders. The suppliers with consistence good performance will be preferred over poor performance supplier and encouraged with more order share. Depending upon performance in supplies BHEL shall go to redistribute the pending orders/shares of poor performer to other suppliers whose performance in supplies is better.
Q	The bidder shall submit price bid strictly in the price format, wherever provided for, in the enquiry. Any attempt on the part of the bidder to alter the contents of the price bid format in any manner, which in the opinion of BHEL can vitiate the tendering process, will lead to rejection of the bid, <b><i>besides BHEL taking appropriate punitive action as deemed fit.</i></b>



## GENERAL TERMS AND CONDITIONS OF ENQUIRY

GTC/FSIP/PUR/01 Rev:01

R	In case the bidder decides to sub-contract part of his activity / work to some of his vendors, details of such intended subcontracting shall be mentioned in the bid. This will however not absolve the bidder from his contractual obligations and responsibilities.
S	Wherever the minimum reserved capacity is called for in the tender, the offers of such bidders, who do not quote for the minimum reserved capacity, are liable to be rejected.
3	<b>Delivery Terms</b>
A	<b>Indigenous Purchase</b>
	Goods shall be delivered on 'FOR Destination' basis (with freight and insurance in bidder scope) to the named destination unless otherwise called for in the enquiry.
B	<b>Foreign Purchase — Imports</b>
B1	<ol style="list-style-type: none"> <li>1. Goods shall be despatched by Sea, unless stated otherwise in the enquiry or purchase order.</li> <li>2. Terms of Delivery for Sea shipment shall be on CFR / CIF basis with 14 days' detention free period for FCL (Full Container Load) Cargo of GP &amp; HC Containers.</li> <li>3. For other cases - Other than GP &amp; HC Containers, LCL Cargo shall be delivered at Nhava Sheva (JNPT) &amp; Break-bulk Cargo at Mumbai (MPT).</li> <li>4. For Air consignments, the terms of delivery shall be FCA at BHEL nominated Airport.</li> <li>5. Freight amount shall be indicated separately in the offer in case of CIP/CFR/CIF.</li> <li>6. The number of detention free days and destination charges payable to shipping line must be mentioned in your offer and also on the Bill of Lading.</li> <li>7. Offer received on FOB basis may be considered on an exceptional basis. BHEL will load freight, marine insurance &amp; shipping line port handling charges etc. to work out landed cost at Sea Port.</li> <li>8. Please visit BHEL Bhopal website <a href="http://www.bhelbpl.co.in">www.bhelbpl.co.in</a> for details of named Air ports and Sea ports. Name of the gateway port so chosen by the Seller shall be indicated by the Bidder in his offer.</li> </ol>
B2	<ol style="list-style-type: none"> <li>1. For delivery of FCL (Full Container Load) cargo, the Bidder shall provide minimum <b>14 days' detention free period</b> from the date of delivery at Port of Discharge / Place of Delivery (in case of ICD). Wherever the detention free period offered is less than 14 days, the bids shall be <b>loaded</b> for the period short of 14 days' period.</li> <li>2. <u>Port Congestion charges or any additional charges claimed by the shipping line at Port of Discharge / Place of Delivery shall be to the Seller's account.</u></li> </ol>
4	<b>Vendor's particulars &amp; logistics information (Bidder to give details against each of the provisions)</b>
A	Name of the vendor's executive to deal with this tender / project
B	E-mail address of the contact person
C	Telephone no. of the contact person
D	Name of location from where the goods shall be offered for inspection and dispatch
5	<b>Additional logistics information for Imports</b>
A	Bid currency
B	Charges applicable at discharge port up to BHEL's CFS (Container Freight Station) to be indicated in your offer and on the B/L
C	Name of Airport in the country of dispatch for FCA delivery terms
D	Estimated number, type & size of containers for delivery of tendered



## GENERAL TERMS AND CONDITIONS OF ENQUIRY

GTC/FSIP/PUR/01 Rev:01

	quantity (applicable where the goods are to be sent in FCL)	
E	No. of packages with cumulative gross weight and CBM volume (applicable for LCL & Break-bulk shipment)	
F	Approx. distance in km. from Vendor's works to Port of Loading	Sea port /Air port
6	<b>Delivery Schedule &amp; Completion date</b>	
A	<ul style="list-style-type: none"> <li>• Instead of writing specific date against delivery offered, bidder shall commit delivery period in number of days / weeks/ months to suit the delivery period indicated in the enquiry.</li> <li>• Commencement of delivery period shall be reckoned from the date of PO / LOI or any other agreed milestone.</li> <li>• Seller shall deliver the goods in the manner and schedule agreed under the Purchase order.</li> <li>• Goods shall be delivered within contractual period or any extension thereof, if any, granted by the Purchaser.</li> <li>• If delivery is linked to approval of documents, time for submission of such documents to be indicated and delivery period to be indicated from approval of documents. This delivery schedule will be considered for processing delivery extension, wherever applicable.</li> <li>• BHEL reserves the right to cancel the order if material is not delivered within PO scheduled delivery.</li> <li>• In case of unsatisfactory performance on quality / delivery BHEL will have right to discontinue the contract in part or full.</li> </ul>	
B	In case of foreign supplies, the date of Bill of Lading (B/L) or AWB shall be taken as actual date of delivery.	
C	In case of Indigenous bidders, the date of delivery at named destination in India shall be taken as contractual delivery completion date where delivery terms are FOR destination. In case of 'Ex-works' delivery terms, the date of LR / RR shall be the contractual delivery completion date.	
7	<b>Transit Insurance</b>	
	Except where delivery terms are agreed on CIF basis for Imports & FOR destination basis for indigenous purchases, transit insurance will be covered by BHEL under its Open Marine Transit Insurance Policy. Seller shall inform dispatch particulars with value of consignment to the Purchaser within 07 days of dispatch for BHEL to arrange insurance coverage in its policy. Failure on the part of seller to inform dispatch particulars will make him liable to pay for any transit damages / losses suffered by the Purchaser.	
8	<b>Force Majeure</b>	
	<p>Notwithstanding anything contained in the contract, neither the Seller nor the Purchaser shall be held responsible for total or partial non-execution of any of the contractual obligations, should the obligation become unreasonably onerous or impossible due to occurrence of a 'Force Majeure' which directly affects the obligations to be performed by the Purchaser or the Seller; Such events include war, military operations of any nature, blockages, revolutions, insurrections, riots, civil commotions, insurgency, sabotage, acts of public enemy, fires, explosion, epidemics, quarantine restrictions, floods, earthquake, or acts of God, restrictions by Govt. authorities; over which the Seller or the Purchaser has no control.</p> <p>The party claiming to be affected by force majeure shall notify the other party in writing without delay, within two weeks on the intervention and on the cessation of such circumstance. Extension of time sought by the Seller along with supporting evidence and so granted by the Purchaser for the supply/ work affected, if any, shall not be construed as waiver in respect of remaining deliveries. Rescheduling of deliveries on account of force majeure conditions, if so agreed by the Purchaser, will not entail the Seller to claim any increase in the price on whatsoever account.</p> <p>Notwithstanding above provisions, Purchaser shall reserve the right to cancel the order/ Contract, wholly or partly, in order to meet the overall project schedule and make alternative arrangements. If deemed necessary, Purchaser may takeover partly processed material at a mutually agreed price.</p>	
9	<b>LD/Penalty for delayed performance.</b>	
A	<p>Subject to force majeure conditions,</p> <p>I. LD shall be 0.5 % of the total order value per week of delay or part thereof subject to a maximum of 10% of the total order value.</p>	



## GENERAL TERMS AND CONDITIONS OF ENQUIRY

GTC/FSIP/PUR/01 Rev:01

	<p>II. In case of staggered delivery schedule, LD shall be 0.5 % of the undelivered portion per week of delay or part thereof subject to a maximum of 10% of the total order value. However, even if a staggered delivery schedule for Capital Machine / BOPs is agreed, the LD cap will be levied on total order value and not undelivered portion of the order value.</p> <p>III. In case of any amendment/ revision, the LD shall be linked to the amended / revised PO value.</p> <p>Any deviation from the above LD clause shall be specified separately in the NIT.</p> <p>Any loading on LD/penalty clause shall be to the extent to which it is not agreed to by the bidder (at offered value). The same shall be intimated separately prior to price bid opening.</p> <p><b>Note:</b>  <b>“Recovery of LD will include GST as applicable”.</b></p>
	In case the contractually agreed delivery date falls on a holiday in BHEL FSIP Jagdishpur, the next working day shall be taken as contractual delivery date for compliance and applicability of LD / penalty.
<b>B</b>	<b>Risk Purchase</b>
	If the material is not supplied within the agreed delivery period, BHEL reserves the right to cancel the order and purchase the material from alternate source (s) at the Risk and Cost of the Seller. In such an event, it shall be obligatory on the part of seller to make good any loss suffered by the purchaser.
<b>10</b>	<b>Indian Agents and Agency commission</b>
<b>A</b>	BHEL prefers to deal directly with Foreign vendor, wherever required, for procurement of Goods. However if the Foreign Principal desires to avail services of an Indian Agent, then the Principal should ensure compliance to "regulatory guidelines" which will require submission of an agency agreement.
<b>B</b>	The CFR / CIF price quoted will be deemed to be inclusive of Indian Agency commission. Agency commission as disclosed by the bidder in his quoted CFR / CIF price will be paid in Indian Rupees on receipt & acceptance of Materials or it's installation at destination, as the case may be. The lower of the 'TT buying rate prevailing on the date of technical bid opening or price bid opening shall be considered for computation of Agency commission.
<b>C</b>	In a tender either the Indian Agent on behalf of Principal / OEM or the Principal / OEM itself can bid, but both cannot bid simultaneously for same item / product in the same Tender. In case bids are received from both the Principal / OEM and the agent, bid received from the agent will be ignored.
<b>D</b>	If an agent submits Bid on behalf of the Principal / OEM, the same agent shall not submit bid on behalf of another Principal / OEM in the Tender, for the same Item / Product.
<b>11</b>	<b>Documentation:</b>
<b>A</b>	<b>Indigenous Purchase</b>
	Seller shall arrange to send to the consignee, Original Tax invoice (Buyer's copy and duplicate for Transporter), Commercial invoice in duplicate, consignee copy of LR & 2 sets each of Packing list, Test certificate, Guarantee / Warranty certificate, O & M manuals (where applicable), immediately on despatch of the goods. The distribution of such documents will be specified in the Purchase order.
<b>B</b>	<b>Foreign Purchase — Imports</b>
	<p><b>A. Vendor to share immediately Bill of lading with Import Invoice and packing list of material at <a href="mailto:mssea@bhel.in">mssea@bhel.in</a> and incorporate following detail in the bill of lading:</b></p> <p><b>a. Import &amp; export Code (IEC) of importer;</b></p> <p><b>b. GST Identification No (GSTIN) of importer;</b></p> <p><b>c. Official email id of importer (to be used for correspondence by shipping lines and Customs) – <a href="mailto:mssea@bhel.in">mssea@bhel.in</a> to be included.</b></p> <p><b>B. Seller shall send 1 set of following documents, in English, within 7 days of B/L date / 1 day of AWB date by courier to the Purchaser.</b></p> <p>1. Express / Original 'Clean on board' Bill of Lading / AWB.</p> <p>2. One set of Commercial Invoice, Packing list indicating container-wise Gross weight, Net weight, CBM volume, No. of packages with Dimensions of each package.</p>



## GENERAL TERMS AND CONDITIONS OF ENQUIRY

GTC/FSIP/PUR/01 Rev:01

	<p>3. Original Certificate of Country of Origin issued by Chamber of Commerce.</p> <p>4. One set of Original Test Certificates and O&amp;M Manual where called for.</p> <p>5. Fumigation / Phyto Sanitary Certificate wherever cargo is packed in wooden packing or packing of plant origin material is used.</p> <p>6. Supplier should additionally forward 2 sets of original documents mentioned at point 1 to 5 along with original bill to Lading through any international courier service / registered airmail or AWB by captain's mail within three days of obtaining the same directly to the following:</p> <table style="width: 100%; border: none;"> <tr> <td style="width: 50%; vertical-align: top;"> <p>(i) AGM (M.S) Regional Operations Division BHEL 14th Floor Centre-1 World Trade Centre, Cuffe Parade Colaba, Mumbai 400 005 INDIA E-mail: <a href="mailto:mssea@bhel.in">mssea@bhel.in</a></p> </td> <td style="width: 50%; vertical-align: top;"> <p>(ii) SDGM (FIN) Administrative Bldg. BHEL, FSIP, IA Jagdishpur Amethi, 227817, UP, India E-mail : <a href="mailto:shashi.kumari@bhel.in">shashi.kumari@bhel.in</a></p> </td> </tr> </table> <p>And <b>confirm forwarding details</b> to DGM (MM), BHEL, FSIP, IA Jagdishpur 227817, Amethi , UP, India at <a href="mailto:nasaifi@bhel.in">nasaifi@bhel.in</a> /<a href="mailto:pk Yadav@bhel.in">pk Yadav@bhel.in</a>/<a href="mailto:vjain@bhel.in">vjain@bhel.in</a>.</p> <p>7. In case the Seller decides to negotiate all 3 originals of B/L / AWB along with all original documents through negotiating Bank, non-negotiable documents (NNDs) consisting of copy of B/L / AWB &amp; documents mentioned at Sl. no. 11- B2 to B5 will be sent by e-mail to the Purchaser at his e-mail address given in the PO with one copy to be mailed at <a href="mailto:nasaifi@bhel.in">nasaifi@bhel.in</a> &amp; <a href="mailto:vjain@bhel.in">vjain@bhel.in</a> (for sea shipment). Other documents, as required, will be separately indicated in the Purchase Order. Additional expenditure, if any, incurred by the Purchaser by way of detention / demurrage, resulting out of delay attributable to the Seller in providing Negotiable documents, will be recovered from the Seller.</p> <p>In case any discrepancy is raised by bankers / BHEL with respect to documents submitted, vendor to facilitate clearance of goods through Delivery Order.</p>	<p>(i) AGM (M.S) Regional Operations Division BHEL 14th Floor Centre-1 World Trade Centre, Cuffe Parade Colaba, Mumbai 400 005 INDIA E-mail: <a href="mailto:mssea@bhel.in">mssea@bhel.in</a></p>	<p>(ii) SDGM (FIN) Administrative Bldg. BHEL, FSIP, IA Jagdishpur Amethi, 227817, UP, India E-mail : <a href="mailto:shashi.kumari@bhel.in">shashi.kumari@bhel.in</a></p>
<p>(i) AGM (M.S) Regional Operations Division BHEL 14th Floor Centre-1 World Trade Centre, Cuffe Parade Colaba, Mumbai 400 005 INDIA E-mail: <a href="mailto:mssea@bhel.in">mssea@bhel.in</a></p>	<p>(ii) SDGM (FIN) Administrative Bldg. BHEL, FSIP, IA Jagdishpur Amethi, 227817, UP, India E-mail : <a href="mailto:shashi.kumari@bhel.in">shashi.kumari@bhel.in</a></p>		
<b>C</b>	<b>General</b>		
	<p>1. For Hazardous chemicals, the materials safety data sheet (MSDS) is to be submitted.</p> <p>2. All certificates as called must be sent. BHEL may test any goods supplied and their decision is final irrespective of supplier's certificates. If test certificate and guarantee certificate are not received along with the document and stipulated in these specifications, BHEL reserves the right to get the material tested and recover the expenses from the supplier without awaiting supplier's confirmation</p>		
<b>12</b>	<b>Pricing Terms:</b>		
	Prices once quoted shall remain firm within the validity or any extension thereof for placement of order, till complete execution of the order, without any escalation / increase for any reason, whatsoever, unless specifically provided for in the Enquiry & PO. In case of foreign vendors, the quoted price shall be taken as inclusive of Third Party Inspection and testing charges as called for in the NIT.		
<b>13</b>	<b>Price Validity :</b>		
	Unless stated otherwise in the enquiry, offer shall be valid for a period of <b>90 days</b> from the date of Techno- commercial (Part-I) bid opening date.		
<b>14</b>	<b>Taxes &amp; Duties - Indigenous Purchase:</b>		
<b>A</b>	Vendor to ensure timely remittance of SGST, CGST, IGST as applicable in time as per law.		
<b>B</b>	Vendor to ensure compliance to filing of monthly GST sales return including BHELs supplies by 10 <sup>th</sup> of next calendar month in the online GST portal wherever applicable.		
<b>C</b>	Vendors to declare filing of timely returns and GST remittance / likely remittance / ITC adjustment along with invoice.		
<b>D</b>	Vendor to submit invoices compliant with GST invoice Rules		
<b>E</b>	Vendors to comply with all statutory provisions as may be applicable at the time of despatch / sale. Any additional financial liability to BHEL on account of non-compliance by vendors shall be borne by them and shall be adjusted / recovered from the vendors. BHEL reserves the right to review the existing offers / contracts for any revision in terms, which may arise due to change in any statutory provisions to ensure that the benefit accrues to BHEL.		



## GENERAL TERMS AND CONDITIONS OF ENQUIRY

GTC/FSIP/PUR/01 Rev:01

F	Vendor to ensure TAX INVOICE submission along with consignment
G	<p>In respect of cases where the liability to discharge GST is on BHEL under reverse charge mechanism, vendors have to ensure timely submission of invoices and delivery of material / services to BHEL, so that there is no mismatch on both activities. In case there is any additional financial liability on BHEL on account of default on the part of the vendor on submission or delivery of material / services the same shall be passed on to them.</p> <p>In respect of free issue material by BHEL, vendors have to return the processed material within the time line as per the provisions of GST. In case of any additional tax liability on BHEL on account of non-compliance by the vendor, the additional financial implications on BHEL shall be passed on to the vendor.</p>
H	Vendors to provide the applicable HSN / SAC codes as called for in the enquiry
15	<b>Taxes &amp; Duties - Foreign Purchase — Imports</b>
	The offered prices shall be inclusive of all the Taxes and duties as applicable in the country of bidder / country of dispatch for the quoted CFR / CIF price.
16	<b>Payment Terms-</b>
A	<b>Indigenous:</b> 100% payment in 90 days of receipt (45 days for MSE including NSIC / Udyog Aadhar/UDYAM/EM-II/DIC along with valid CA certificate, registered suppliers as per relevant act in force), subject to acceptance of material at BHEL, on direct presentation of the documents. In case of despatch of material to site directly, site certification for receipt of materials is required unless otherwise provided for in the PO.
B	<b>Foreign:</b> 100% direct Payment payable on 90 <sup>th</sup> day of B/L / AWB.
	<p><b>Any deviation from the above payment terms, if accepted (by BHEL), shall be loaded as per below point:</b></p> <p>(i) 'Base rate of SBI (as applicable on the date of bid opening; Techno-commercial bid opening in case of two part bids) + 6%' shall be considered for loading for the period of relaxation sought by bidders.</p> <p>(ii) Wherever LC payment terms are not offered in NIT and the same is insisted by bidder(s), all LC related bank charges to be incurred by BHEL shall also be loaded.</p> <p>(iii) In case of deviation w.r.t. LC payment terms offered in NIT, the loading shall be done for all LC related bank charges to be incurred by BHEL.</p>
C	<p>Foreign vendors to submit declaration of <b>Permanent Establishment and Business Connection (PEBC)</b> for remittances purpose. Declaration to be submitted in formats in either Annexure A or B whichever is applicable as per their transaction entered into with BHEL.</p> <p>In the absence of certificates from the vendor, withholding tax at applicable rates along with surcharge and cess will be recovered at the time of remittance to the vendor.</p>
D	Foreign vendors to submit <b>Tax Residency Certificate (TRC) &amp; Form 10 F</b> (for obtaining DTAA benefits) as per Annexure C in respect of services. The TRC (tax residency certificate) is to be issued by the authorities of the government of vendor's country. If the informative part of the format (other than residency) is not furnished by the authorities the same may be furnished by the vendor as a declaration.
17	<b>Inspection of Goods</b>
A	The Seller shall give adequate notice, of 1 week or as mutually agreed period, in writing to the Purchaser (in case Customer inspection is involved) or BHEL appointed TPIA about the date and place at which the goods will be ready for inspection/ testing, as provided for in the contract.
B	<p>Purchaser or his authorized representative shall be entitled to carry out inspection of material and Workmanship / Surveillance Audit at Seller's premises or at his sub-contractor's premises at all reasonable times during execution of contract; Such inspection, examination and testing, if made, shall not absolve the Seller from his obligations under the contract.</p> <p>Wherever required, BHEL may carry out testing at BHEL's testing Lab and in case of any rejection during such testing, replacement / rectification, as required, will have to be done by Supplier.</p> <p>If BHEL carries out any rectification of such rejected material, such cost will be recovered from Supplier's Bills.</p> <p>In case of Customer inspection as Supplier's Works, inspection clearance to be obtained from Customer and submitted to BHEL.</p>



## GENERAL TERMS AND CONDITIONS OF ENQUIRY

GTC/FSIP/PUR/01 Rev:01

C	BHEL's representative from unit or Corporate Quality (CQ) is authorised to carry out audits along with TPIA at vendor's works before clearing the items for despatch.
D	All costs related to inspections and re-inspections shall be borne by the Seller. In case of inspection by BHEL and / or BHEL's customer, the cost of to & fro passage and Boarding & Lodging shall be borne by the Purchaser / Customer, unless otherwise specifically agreed. In case of foreign vendors, the cost of third party inspection, where called for, shall be deemed to be included in the quoted price. Seller shall be responsible to provide assistance such as labour, materials, electricity, fuels, stores, apparatus, instruments at his cost, as may be required and as may be reasonably demanded to carry out such tests effectively.
E	<p><b>REJECTION:</b> If any goods are rejected, BHEL shall be at liberty to take action as per following at the risk and cost of supplier:</p> <ul style="list-style-type: none"> <li>a) Allow the supplier, wherever mutually agreed, to rectify the rejected goods at BHEL's works within reasonable time as fixed by BHEL.</li> <li>or</li> <li>b) Allow the supplier to make free replacement within a specified period. Rejected goods can be lifted by the supplier there after.</li> <li>or</li> <li>c) In case payment has been done, allow supplier to refund equivalent value of rejected material by NEFT / RTGS or furnish Bank Guarantee for same amount before lifting the rejected goods. Fresh replacement shall be regulated as per terms and condition of the original Purchase Order. In case payment has not been done, allow the supplier, wherever mutually agreed, to rectify the rejected goods at supplier's works within reasonable time as fixed by BHEL.</li> <li>or</li> <li>d) Take alternate procurement action from elsewhere and recover the difference in total cost to BHEL including services, if any, incurred by BHEL in this regard from the supplier. The supplier shall not be entitled to any gain on repurchase.</li> <li>or</li> <li>e) Terminate the contract either in part or in whole at the discretion of BHEL and recover the loss, if any, from the supplier.</li> <li>or</li> <li>f) Any goods rejected by BHEL must be removed by the supplier after making payment through NEFT / RTGS within 45 days from the date of intimation of rejection or 30 days after receipt of the intimation of rejection whichever is earlier. If vendor fails to lift or allow despatch of rejected material at his cost within 90 days from the intimation of rejection, his claim on rejected material shall cease.</li> </ul>
	<p><b>REJECTION:</b> <b>The supplier shall arrange replacement/repair within one month from the date of rejection intimation upon failure on supplier's part to comply. BHEL will take whatever appropriate action they may think fit in addition to repair/return of rejected material at the cost and risk of the supplier.</b></p>
18	<b>Guarantee / Warranty and corresponding Repairs / Replacement of Goods</b>
	<p>Manufacturer's works test / infection certificates shall be furnished along with the guarantee that material conforms strictly to the specification for general &amp; special conditions as laid down in the purchase order. Goods shall comply with the specifications for material, workmanship and performance. The warranty shall be for a period of 12 months from the date of receipt. If the delivery is found non-compliant during the warranty period, leading to rejection, the Seller shall arrange free replacement / repair of goods, within one month from the date of intimation or any mutually agreed period. The rejected goods shall be taken away by the Seller at his cost and replaced on Delivered Duty Paid (DDP) (FOR - BHEL Stores / designated destination basis) within such period. In the event of the Seller's failure to comply, Purchaser may take action as appropriate, including Repair / Replenish rejected goods &amp; disposal of rejections, at the risk &amp; cost of the Seller. In case the defects attributable to Seller are detected during processing of the goods at purchasers/ his subcontractor's works, the Seller shall be responsible for free replacement / repair of the goods as required by the purchaser.</p>
19	<b>Evaluation and Loading Criteria:</b>



## GENERAL TERMS AND CONDITIONS OF ENQUIRY

GTC/FSIP/PUR/01 Rev:01

	<p>Evaluation of the tender shall be on the basis of delivered cost, i.e. 'total cost to BHEL' w.r.t the technical scope and commercial conditions finalized after techno-commercial clarifications (after considering, inter alia, Customs Duty and GST / Other taxes as applicable). Exchange rate (TT selling rate of State Bank of India) applicable on the date of Part-I bid opening shall be considered for evaluation of foreign bids. If the relevant day happens to be a bank holiday in India, then the FOREX rate as on the previous bank working day shall be taken for evaluation.</p> <p>Foreign suppliers shall ensure that the benefits as applicable under Comprehensive Economic Partnership Agreement (CEPA) with Government of India are disclosed in the bid &amp; relevant documents such as Certificate of Country of Origin, issued by the appropriate authority in the country of Export is provided by the vendor along with dispatch documents. Bids shall be evaluated with such applicable benefits. In the event of Seller failing to provide appropriate documents for Purchaser to avail disclosed concessional duty benefits in India, financial loss, so incurred, will be to the Seller's account.</p>
	The evaluation currency for this tender shall be INR.
20	<b>Variation of orders</b>
	No variation to the Purchase order is permitted unless authorised in writing and signed by or on behalf of purchase executive, BHEL Jagdishpur.
21	<b>Sub-contract</b>
	BHEL's order or part there off, if further to be subcontracted in exceptional circumstances the details of subcontracting and to whom to be subcontracted shall be furnished to BHEL and written permission shall be obtained from BHEL. However, it shall not absolve the supplier of the responsibility of fulfilling BHEL order requirements.
22	<b>Recovery / deductions of amount from supplier</b>
	<p>A) Any amount on account of recovery from consignor / supplier under any condition shall be liable to be adjusted against any amount payable to the consignor / supplier against bills.</p> <p>B) For any deficiency in supplies where deduction is involved, an amount as decided by BHEL, shall be deducted from supplier's bills.</p>
23	<b>Safety clause for Purchase Orders</b>
	<p>The vendors shall maintain and ensure sufficient safety measures as required for inspections and test like HV test. Pneumatic test, Hydraulic test Spring test, Bend test, Material handling and safe working environment etc. to enable Inspection Agency for performing inspection.</p> <p>The vendor shall ensure that all the safety precautions specified in factories Act 1948 chapter-IV Section-21 to 41 are complied with respect to equipment's to be inspected.</p> <p>If any test equipment is found not complying with proper safety requirement, then the inspection agency may withhold inspection, till such time the desired safety requirements are met.</p>
24	<b>Non-Disclosure Agreement</b>
	<p>All Drawing and technical documents relating to the product or it's manufacture submitted by one party to the other, prior or subsequent to the formation of contract, shall remain property of the submitting party. Drawing, technical documents or other technical information received by one party, shall not without the consent of the other party, be used for any other purpose than that, for which they were provided. Such technical information shall not without the consent of the submitting party, otherwise be used or copied, reproduced, transmitted or communicated to a third party. Patterns supplied by BHEL will remain BHEL's property which shall be returned by the bidder on demand to BHEL. Bidder shall in no way share or use such intellectual property of BHEL to promote his own business with others. <b><u>BHEL reserves the right to claim damages from the bidder, or take appropriate penal action as deemed fit against the bidder, for anv infringement of the provisions contained herein.</u></b></p>
	<p><b>DRAWINGS, PATTERNS &amp; TOOLS:</b> All drawings, patterns &amp; tools supplied by BHEL or made at BHEL's expense are BHEL's property. These cannot be used or referred to any other party and must only be used in the execution of BHEL's orders. These should be preserved at the supplier's cost for a period of not less than 5 years. Patterns &amp; tools should be returned to BHEL within 90 days of issue of the same.</p>
25	<b>Settlement of Disputes &amp; Arbitration</b>
A	All questions / interpretations regarding subject matter of the Contract shall be decided by the Purchaser on the request of the Seller and the decision of the Purchaser shall be final.
B	In case of dispute, steps shall be taken by the parties to the contract to settle the same through negotiations.



## GENERAL TERMS AND CONDITIONS OF ENQUIRY

GTC/FSIP/PUR/01 Rev:01

C	In case, dispute is not settled in negotiations, it shall be referred to Conciliator appointed by the competent authority of the Purchaser.
D	<p>Except as provided elsewhere in this Contract, in case amicable settlement is not reached between the Parties, in respect of any dispute or difference; arising out of the formation, breach, termination, validity or execution of the Contract; or, the respective rights and liabilities of the Parties; or in relation to interpretation of any provision of the Contract; or, in any manner touching upon the Contract, then, either Party may, by a notice in writing to the other party refer such dispute or difference to the sole arbitration of an arbitrator appointed by Head of the BHEL Unit/Region/Division issuing the Contract. The Arbitrator shall pass a reasoned award and the award of the Arbitrator shall be final and binding upon the Parties. Subject as aforesaid, the provisions of Arbitration and Conciliation Act 1996 (India) or Statutory modifications or re-enactments thereof and the rules made thereunder and for the time being in force shall apply to the arbitration proceedings under this clause. The seat of arbitration shall be Lucknow.</p> <p>The cost of arbitration shall be borne as per award of the Arbitrator.</p> <p>Subject to the arbitration in terms of Clause above, the Courts at Lucknow shall have exclusive jurisdiction over any matter arising out of or in connection with this Contract.</p> <p>Notwithstanding the existence or any dispute or differences and / or reference for the arbitration, the Contractor shall proceed with and continue without hindrance the performance of its obligations under this Contract with due diligence and expedition in a professional manner except where the Contract has been terminated by either Party in terms of this Contract.</p>
	<p><b>In case of Contract with Public Sector Enterprise (PSE) or Government Department, the following shall be applicable:</b> In the event of any dispute or difference relating to the interpretation and application of the provisions of the Contract, such dispute or difference shall be referred by either Party for arbitration to the sole arbitrator in the Department of Public Enterprises to be nominated by the Secretary to the Government of India in-charge of the Department of Public Enterprises. The Arbitration and Conciliation Act, 1996 shall not be applicable to arbitration under this clause. The award of the arbitrator shall be binding upon the Parties to the dispute, provided, however, any Party aggrieved by such award may make further reference for setting aside or revision of the award to the Law Secretary, Department of Legal Affairs, Ministry of Law and Justice, Government of India. Upon such reference the dispute shall be decided by the Law Secretary or the Special Secretary or Additional Secretary when so authorized by Law Secretary, whose decision shall bind the Parties hereto finally and conclusively. The Parties to the dispute will share equally the cost of arbitration as intimated by the Arbitrator.</p>
E	The Seller shall continue to perform the contract, pending settlement of dispute(s).
26	<b>Applicable Laws and Jurisdiction of Courts</b>
	Indian laws both substantive and procedural, for the time being in force, including modifications thereto, shall govern the Contract including Arbitration proceedings. The competent Courts at Lucknow in the State of Uttar Pradesh, India shall have sole jurisdiction.
27	<b>RIGHT OF REJECTION /NON- PLACEMENT OF PO:</b> BHEL reserves the right to accept the offers in part or in full, or cancel the Tender enquiry without assigning any reason.
28	<b>Performance Bank Guarantee (PBG) / Security Deposit (SD)-(If applicable)</b>
A	Wherever PBG/SD (covering equipment / system / work performance guarantee) is called for in the Notice Inviting Tender (NIT) deviation shall not be accepted.
B	Bank Guarantee wherever called for, shall be in the BHEL prescribed format. In case the order is to be placed in foreign currency, the BG must also be in Foreign currency, so specified by the Purchaser.
C	Wherever Security Deposit (covering contract performance) is called for in the NIT, deviation shall not be accepted.
D	Composite 'Contract Performance Bank Guarantee' of matching value / validity, where both Security Deposit and Performance Bank Guarantee are required, shall not be construed as deviation.
E	Wherever the contract is for supply of Goods processed on labour basis from BHEL supplied materials, the materials shall be issued against a suitable Bank guarantee as specified in the Enquiry.
29	<b>Benefits earmarked for Purchase from Micro &amp; Small Enterprises (MSEs) — Indigenous Purchase</b>
A	MSE bidders shall submit along with bid relevant documents w.r.t. their respective MSE status as per extant norms. Date to be reckoned for determining the deemed validity will be the last date of Technical bid submission. Non- submission of such document will lead to consideration of their bid, at par with other bidders and MSE status of such bidders shall be shifted to Non- MSE supplier till the supplier submit these documents.



## GENERAL TERMS AND CONDITIONS OF ENQUIRY

GTC/FSIP/PUR/01 Rev:01

B	<p>In tender, participating MSEs quoting price within price band of L1+15% shall also be allowed to supply a portion of requirement by bringing down their price to L1 price in a situation where L1 price is from someone other than a MSE and such MSE shall be allowed to supply up to 25% of total tendered value. In case of more than one such MSE, the supply shall be shared proportionately. A quantum of 6.25% out of 25% quantity, so earmarked, will be reserved for MSE's owned by SC / ST entrepreneurs who submit their bid with relevant documents provided that in event of failure of such MSE(s) to participate in tender process or meet tender requirements and L1 price, 6.25% sub-target for procurement earmarked for MSE(s) owned by SC or ST entrepreneurs shall be met from other MSE(s).</p> <p><b>Special provision for Micro and small enterprises owned by Women in following cases:</b> - 3% reservation for women owned MSEs under following conditions</p> <ol style="list-style-type: none"> <li>i. In case of Proprietary MSE, proprietor is woman.</li> <li>ii. In case of partnership MSE, the woman partner is holding at least 51% share in the unit.</li> <li>iii. In case private limited companies, at least 51% share is held by woman promoters.</li> </ol> <p><b>In case of indivisible tender the full quantity shall be awarded to L1.</b></p>
C	<p>If an enterprise falling under MSE category as defined in the MSMED Act 2006, graduates to a higher category from its original category or beyond the purview of the Act, it shall continue to avail all non-tax benefits of its original category notified by the Ministry of Micro, Small and Medium Enterprise for a period of three years from the date of such graduation to the higher category.</p>
D	<p>MSE suppliers can avail the intended benefits only if they submit along with the offer, attested copies of either EM II certificate having deemed validity (five years from the date of issue of acknowledgement in EM II) or valid NSIC certificate or EM II certificate along with attested copy of a CA certificate (As per BHEL Format, where deemed validity of EM II certificate of five years has expired) applicable for the relevant financial year (latest audited). Date to be reckoned for determining the deemed validity will be the date of bid opening (Part 1 in case of two part bid). Non submission of such documents will lead to consideration of their bid at par with other bidders. No benefits shall be applicable for this enquiry if any deficiency in the above required documents are not submitted before price bid opening. If the tender is to be submitted through e-procurement portal, then the above required documents are to be uploaded on the portal. Documents should be notarized or attested by a Gazetted officer</p>
30	<p><b>Integrity Pact (IP) — Independent external monitors (IEM)</b> For tenders in which integrity pact is applicable, following points stand valid :</p>
A	<p>IP is a tool to ensure that activities and transactions between the company and its bidders / contractors are handled in a fair, transparent and corruption free manner. A panel of Independent External Monitors (IEMs) have been appointed to oversee implementation of IP in BHEL.</p> <p>The IP as enclosed with the tender is to be submitted (duly signed by authorized signatory who signs in the offer) along with techno commercial bid. Only those bidders who have entered into such an IP with BHEL would be competent to participate in the bidding. In other words, entering into this pact would be a preliminary qualification.</p> <p>Name : ----- Address : ----- mail : ----- } As indicated in NIT / enquiry :201__</p>
B	<p>Please refer section 8 of the IP for roles and responsibilities of IEMs. In case of any complaint arising out of tendering process, the matter may be referred to the IEM mentioned in the tender.</p> <p><b>NOTE:</b> No routine correspondence shall be addressed to the IEM (phone / post / e-mail) regarding the clarifications, time extensions or any other administrative queries, etc. on the tender issued. All such clarifications / issues shall be addressed directly to the tender issuing (procurement) department.</p>
31	<p><b>Fraud Prevention Policy :</b> The Bidder along with its associate / collaborators / sub-contractors / sub-vendors / consultants / service providers shall strictly adhere to BHEL Fraud Prevention Policy displayed on BHEL website <a href="http://www.bhel.com">www.bhel.com</a> and shall immediately bring to the notice of BHEL Management about any fraud or suspected fraud as soon as it comes to their notice.</p>
32	<p>GSTN nos. of vendors as well as GSTN No of BHEL must be mentioned on the invoices/bills of the materials. Please note that correct HSN code as well as rate of GST be mentioned in the invoice/bills.</p>
33	<p>BHEL FSIP GSTIN Reg. No: 09AAACB4146P22C State Code: 09 (Uttar Pradesh)</p>



## GENERAL TERMS AND CONDITIONS OF ENQUIRY

GTC/FSIP/PUR/01 Rev:01

34	<p><b>(a) Right of Acceptance:</b> BHARAT HEAVY ELECTRICALS LIMITED JAGDISHPUR reserves the right to reject any or all the bids/quotations without assigning any reason thereof. BHEL also reserves the right to increase or decrease the tendered quantities. Bidders should be prepared to accept order for reduced quantity without any extra charges.</p> <p><b>(b) Right of Rejection /Non- Placement of PO:</b> BHEL reserves the right to accept the offers in part or in full or cancel the Tender enquiry/PO without assigning any reason.</p> <p><b>(c)</b> Wherever BHEL business interest will contradict with any supplier, offer of that supplier may be rejected.</p>
35	<p><b>Integrity Commitment:</b> The offers of the bidders who are under suspension as also the offers of the bidders, who engage the services of the banned firms, shall be rejected. The list of banned firms is available on BHEL website <a href="http://www.bhel.com">www.bhel.com</a>. Integrity commitment, performance of the contract and punitive action thereof :</p>
A	<p><b>Commitment by BHEL :</b> BHEL commits to take all measures necessary to prevent corruption in connection with the tender process and execution of the contract. BHEL will during the tender process treat all bidder's in a transparent and fair manner, and with equity.</p>
B	<p><b>Commitment by bidder / Supplier / Contractor :</b></p> <ul style="list-style-type: none"> <li>- The bidder / supplier / contractor commit to take all measures to prevent corruption and will not directly or indirectly influence any decision or benefit which he is not legally entitled to nor will act or omit in any manner which tantamount to an offence punishable under any provision of the Indian Penal code, 1860 or any other law in force in India.</li> <li>- The bidder / supplier / contractor will, when presenting his bid, disclose any and all payments he has made, and is committed to or intends to make to agents, brokers or any other intermediaries in connection with the award of the contract and shall adhere to relevant guidelines issued from time to time by govt. of India / BHEL</li> <li>- The bidder / supplier / contractor will perform / execute the contract as per the contract terms &amp; conditions and will not default without any reasonable cause, which causes loss of business / money / reputation to BHEL.</li> </ul>
C	<p>If any bidder / supplier / contractor during pre-tendering / tendering / post tendering / award / execution / post execution stage indulges in mal-practices, cheating, bribery, fraud or / and other misconduct or formation of cartel so as to influence the bidding process or influence the price or acts or omits in any manner which tantamount to an offence punishable under any provision of the Indian Penal Code, 1860 or any other law in force in India, then action may be taken against such bidder / supplier / contractor as per the extant guidelines of the company available on <a href="http://www.bhel.com">www.bhel.com</a> and / or under applicable legal provisions.</p>
d	<p>Defaulter suppliers shall be treated as per Guidelines for Suspension of the Business Dealing with suppliers/contractors.</p>
36	<p><b>Deviation:</b> Any of the terms and conditions not acceptable to supplier, shall be explicitly mentioned in the tender. Otherwise, it will be treated as that all those terms and conditions as mentioned in the tender are acceptable in Toto.</p>
37	<p><b>Benefits earmarked to suppliers for Purchase under ' MAKE IN INDIA'</b></p>
	<p>Compliance to <b>MAKE IN INDIA</b> circular issued by GOI: "For this procurement, the local content to categorize a supplier as a Class I local supplier / Class II local supplier / Non-Local Supplier and purchase preference to Class I local supplier, is as defined in Public Procurement (Preference to Make in India), Order 2017 dated 04.06.2020 issued by DPIIT. In case of subsequent orders issued by the nodal ministry, changing the definition of local content for items of the NIT, the same shall be applicable even if issued after issue of this NIT, but before opening of Part II bids against this NIT" (Format Attached).</p>
	<p>As part of minimizing import content, Government of India, vide order no P-45021/2/2017-B.E.-II dated 15.06.2017, under the subject – Public Procurement ( Preference to Make in India ) -- has set the initiatives to encourage and promote indigenously manufactured goods within India and services provided by sources within India. . In line with this, bidders who manufacture the goods and provide services within India ( otherwise referred as local suppliers ) are given purchase preference and are entitled to benefits in the tender</p>
A	<p>Definitions</p>
(i)	<p>Local content means the amount of value added in India which shall, unless otherwise prescribed by the Nodal Ministry, be the total value of item procured ( excluding net domestic indirect taxes ) minus the value of imported content in the item ( including all customs duties ) as a proportion of the total value , in percent . Presently, the minimum local content required is</p>



## GENERAL TERMS AND CONDITIONS OF ENQUIRY

GTC/FSIP/PUR/01 Rev:01

	50%. The nodal ministry may prescribe a higher or lower percentage in respect of any particular item and may also prescribe the manner of calculation of local content.
(ii)	Local supplier means a supplier or service provider whose product or service offered for procurement meets the minimum local content as prescribed
(iii)	Margin of Purchase Preference means the maximum extent to which the price quoted by a local supplier may be above the L1 for the purpose of purchase preference. Presently the margin of Purchase preference is 20%.
<b>B</b>	Conditions under which preference is given
(i)	In procurement of goods in respect of which the Nodal ministry has communicated that there is sufficient local capacity and local competition, and where the estimated value of procurement is Rs 50 lakhs or less, only local suppliers shall be eligible. If the estimated value of procurement of such goods is more than Rs 50 lakhs, provisions of 37(B) (ii) and 37(B)(iii) shall apply.
(ii)	If the procurement of goods are not covered by 37(B)(i) and are divisible in nature, the following procedure shall be followed :
<b>a</b>	If L1 is a local supplier, the order for full quantity shall be awarded to local supplier
<b>b</b>	If L1 bid is not from a local supplier, 50% of the order quantity shall be awarded to L1. Thereafter, the lowest bidder among the local suppliers, shall be invited to match the L1 price for the remaining 50% quantity, subject to the local supplier's quoted price falling within the margin of purchase preference, and the order for that quantity shall be awarded to such local supplier subject to matching the L1 price. In case such lowest eligible local supplier fails to match the L1 price or accepts less than offered quantity, the next higher local supplier within the margin of purchase preference shall be invited to match the L1 price for remaining quantity and so on, and the order shall be awarded accordingly. In case some quantity is still left uncovered on local suppliers, then such balance quantity may also be ordered on the L1 bidder.
<b>iii</b>	If the procurement of goods are not covered by 37(B)(ii) and are not divisible in nature, and in procurement of services where the bid is evaluated on the price alone, the following procedure shall be followed :
<b>a</b>	If L1 is a local supplier, the order shall be awarded to local supplier
<b>b</b>	If L1 bid is not from a local supplier, then the lowest bidder among the local suppliers, will be invited to match the L1 price, subject to the local supplier's quoted price falling within the margin of purchase preference, and the order shall be awarded to such local supplier subject to matching the L1 price.  In case such lowest eligible local supplier fails to match the L1 price, the local supplier with the next higher bid within the margin of purchase preference shall be invited to match the L1 price and so on, and the order shall be awarded accordingly. In case none of the local suppliers within the margin of preference match the L1 price, then the order may be awarded to the L1 bidder.
<b>C</b>	Exemption of small purchases
	Notwithstanding anything contained at clause 37B above, <b>procurements</b> where the estimated value of procurement is less than Rs 5 lakhs are <b>exempt and</b> purchase preference shall not be accorded in such cases.
<b>D</b>	Verification of local content
(i)	The local supplier, at the time of tender, bidding or solicitation, shall be required to provide self-certification that the item offered meets the minimum local content and shall give details of the location(s) at which the local value addition is made.
(ii)	In cases of procurement for a value in excess of Rs 10 crores, the local supplier shall be required to provide a certificate from the statutory auditor or cost auditor of the company ( in case of companies ) or from a practicing cost accountant or practicing chartered accountant ( in respect of suppliers other than companies ) giving the percentage of local content.



## GENERAL TERMS AND CONDITIONS OF ENQUIRY

GTC/FSIP/PUR/01 Rev:01

(iii)	False declarations shall be in breach of code of integrity and shall invite action as per guidelines for Suspension of Business dealings with Suppliers
E	In case of any disputes / clarifications, the extant guidelines of Government of India shall prevail.
38	<b>Model Clauses for Tenders</b>
I	Any bidder from a country which shares a land border with India will be eligible to bid in this tender only if the bidder is registered with the Competent Authority.
II	"Bidder" (including the term 'tenderer', 'consultant' or 'service provider' in certain contexts) means any person or firm or company, including any member of a consortium or joint venture (that is an association of several persons, or firms or companies), every artificial juridical person not falling in any of the descriptions of bidders stated hereinbefore, including any agency branch or office controlled by such person, participating in a procurement process.
III	"Bidder from a country which shares a land border with India" for the purpose of this Order means: -
a	An entity incorporated, established or registered in such a country; or
b	A subsidiary of an entity incorporated, established or registered in such a country; or
c	An entity substantially controlled through entities incorporated, established or registered in such a country; or
d	An entity whose beneficial owner is situated in such a country; or
e	An Indian (or other) agent of such an entity; or
f	A natural person who is a citizen of such a country; or
g	A consortium or joint venture where any member of the consortium or joint venture falls under any of the above
IV	The beneficial owner for the purpose of (iii) above will be as under:
1	In case of a company or limited liability Partnership, the beneficial owner is the natural person (s) who, whether acting alone or together, or through one or more juridical person, has a controlling ownership interest or who exercises control through other means. Explanation –
A	"Controlling ownership interest" means ownership of or entitlement to more than twenty-five per cent. Of shares or capital or profits of the company
B	"Control" shall include the right to appoint majority of the directors or to control the management or policy decisions including by virtue of their shareholding or management rights or shareholder's agreements of voting agreements;
2	In case of a partnership firm, the beneficial owner is the natural person (s) who, whether acting alone or together, or through one or more juridical of capital or profits of the partnership;
3	In case of an unincorporated association or body of individuals, the beneficial owner is the natural person (s), who, whether acting alone or together, or through one or more juridical person, has ownership of or entitlement to more than fifteen percent of the property of capital of profits of such association or body of individuals;
4	Where no natural person is identified under (1) or (2) or (3) above, the beneficial owner is the relevant natural person who holds the position of senior managing official;
5	In case of trust, the identification of beneficial owner (s) shall include identification of the author of the trust, the trustee, the beneficiaries with fifteen percent or more interest in the trust and any other natural person exercising ultimate effective control over the trust through a chain of control or ownership.
V	An agent is a person employed to do any act for another, or to represent another in dealings with third person.
39	<b>Conciliation</b>
	BHEL and bidder agree that if at any time (whether before, during or after the arbitral or judicial proceedings), any disputes (which term shall mean and include any dispute, difference, question or disagreement arising in connection with construction, meaning, operation, effect, interpretation or breach of the terms & conditions of order, which the parties are unable to settle mutually), arise inter-se the parties, the same may, be referred by either party to Conciliation to be



## GENERAL TERMS AND CONDITIONS OF ENQUIRY

GTC/FSIP/PUR/01 Rev:01

	<p>conducted through Independent Experts Committee to be appointed by competent authority of BHEL from the BHEL panel of Conciliators</p> <p>Notes:</p> <ol style="list-style-type: none"> <li>1. No serving or a retired employee of BHEL/Administrative Ministry of BHEL shall be included in the BHEL Panel of Conciliators.</li> <li>2. Any other person(s) can be appointed as Conciliator(s) who is/are mutually agreeable to both the parties from outside the BHEL Panel of Conciliators.</li> </ol> <p>The proceedings of Conciliation shall broadly be governed by Part-III of the Arbitration and Conciliation Act 1996 or any statutory modification thereof. The details of Conciliations shall be governed by the BHEL Conciliation scheme 2018.</p>
40	<b>Clause for Suspected Cartel Formation</b>
	The Bidder declares that they will not enter into any illegal or undisclosed agreement or understanding, whether formal or informal with other Bidder(s). This applies in particular to prices, specifications, certifications, subsidiary contracts, submission or non-submission of bids or any other actions to restrict competitiveness or to introduce cartelization in the bidding process. In case, the Bidder is found having indulged in above activities, suitable action shall be taken by BHEL as per extant policies/ guidelines.
41	<i>Important Note: The bidder will, when presenting his bid, declare whether other family firms or sister concern affiliates/subsidiary firms are participating in same tender, so as to eliminate the possibility of cartel formation. Format for declaration is attached.</i>
42	<b>Submission of Performance Security for execution of the contract</b>
	Bidder agrees to submit performance security required for execution of the contract within the time period mentioned. In case of delay in submission of performance security, enhanced performance security which would include interest (SB/ rate + 6%) for the delayed period, shall be submitted by the bidder. Further, if performance security is not submitted till such time the first bill becomes due, the amount of performance security due shall be recovered as per terms defined in NIT I contract, from the bills along with due interest.
43	<b><u>If supplier does not mention against any terms of "General Terms and conditions", "Special/supplementary terms and conditions" and NIT terms. It shall be summarily concluded that respective terms are acceptable to supplier and no further clarification shall be asked.</u></b>

PREFERENCES/BENEFITS FOR MSEs:

Following preferences/benefits shall be given to MSEs in line with Public procurement policy for Micro and Small Enterprises (MSEs), 2012:

1. The tender documents shall be issued free of cost to MSEs.
2. MSEs are exempted from payment of Earnest Money Deposit (EMD).
3. In tender, Micro and Small Enterprises quoting within the price band of L1+15% shall be allowed to supply the requirement up to 25% of the tender quantity subject to condition that such Enterprises bring down their price to L1 price where L1 price is from other than a Micro and Small Enterprise. If L1 offer is from a Micro / Small Enterprise, this provision will not be applicable. In case more than one Micro and Small Enterprise is there within this span, the supply shall be shared proportionately to the tender quantity. For availing the advantage of L1+15%, bidder to provide the MSME certificate prior to price bid opening.

Under above following provision is categorised as below:

- **Special provision for Micro and small enterprises owned by SC or ST: -**

Sub target of 25% (i.e. 6.25% out of 25%) would be earmarked for procurement from Micro and Small Enterprises owned by the Scheduled Caste or Scheduled Tribe Entrepreneurs provided that in event of failure of such Micro and Small Enterprises to participate in the tender process or meet the tender requirements and the L1 price, the 6.25% sub-target for procurement ear-marked MSE owned by Scheduled Caste or Scheduled Tribe Entrepreneurs shall be met from other MSE Enterprises.

- **Special provision for Micro and small enterprises owned by Women in following cases: - 3% reservation for women owned MSEs under following conditions**
  - i. In case of Proprietary MSE, proprietor is woman.
  - ii. In case of partnership MSE, the woman partner is holding at least 51% share in the unit.
  - iii. In case private limited companies, at least 51% share is held by woman promoters.

MSE suppliers can avail the intended benefits only if they submit along with offer, attested copies of either EM-II certificate having deemed validity (Five years from date of issue of acknowledgement in EM-II) or valid NSIC certificate/ DIC certificate/ Udyog aadhar or EM-II certificate along with attested copy of a CA certificate (format enclosed as per annexure-I where deemed validity of EM-II certificate of 5 years has expired) applicable for the relevant financial year (latest audited). Date to be reckoned for determining the deemed validity will be the date of bid opening (part-I in case of two part bid). Non submission of such documents will lead to consideration of their bids at par with other bidders. MSE status of such suppliers shall be shifted to non MSE supplier till the supplier submits the documents. This provision for MSE will apply subject to the condition that the participating MSE meets the tender requirements.

## ANNEXURE- I

Certificate by Chartered Accountant on Letter Head

This is to Certify that M/s.  
 .....(Hereinafter  
 referred to as 'company') having its registered office at  
 .....is registered under MSMED Act 2006, (Entrepreneur Memorandum  
 No (Part-II .....dated: ..... Category:  
 ..... (Micro/Small) (Copy enclosed).

Further verified from the Books of Accounts that the investment of the company as on date ..... as per  
 MSMED Act 2006 is as follows:

I. For Manufacturing Enterprises: Investment in plant and machinery (i.e. original cost excluding land and  
 building and the items specified by the Ministry of Small Scale Industries vide its notification  
 No.S.O.1722(E) dated October 5, 2006 :

Rs. ....Lacs

2. For Service Enterprises: Investment in equipment (original cost excluding land and building and furniture,  
 fittings and other items not directly related to the service rendered or as may be notified under the MSMED Act,  
 2006:

Rs .....Lacs

(Strike off whichever is not applicable)

The above investment of Rs. .... Lacs is within permissible limit of Rs. -----Lacs for  
 ..... Micro/Small (Strike off which is not applicable) Category under MSMED Act 2006.

Or

The company has been graduated from its original category (Micro/ Small) (Strike off which is not applicable)  
 and the date of graduation of such enterprise from its original category is -----(dd/mm/yyyy) which is  
 within the period of 3 years from the date of graduation of such enterprise from its original category as notified  
 vide S.O. No. 3322(E) dated 01.11.2013 published in the gazette notification dated 04.11.2013 by Ministry of  
 MSME.

Date:

(Signature)

Name -

Membership number -

Seal of Chartered Accountant

DECLARATION BY VENDOR

We declare that the following family firms or sister concern affiliates/subsidiary firms are participating in the tender No .....

1. ....

2. ....

3. ....

.....

I ....., hereby declare on behalf of M/s ..... and the family firms or sister concern affiliates/subsidiary firms listed above that we are not indulging in cartel formation for enquiry No .....

(.....)

For M/s .....

(Seal & Sign)

**Self-Declaration on Class I/Class II/Non Local under Make in India**  
(Valid for tender value greater than or equal to 5 Lakhs and Less than or equal to 10 Crores)

I ....., hereby declare on behalf of M/s ..... that my firm is under Class I ( )/Class II ( )/Non Local ( ) as per Make in India Government Preferences.

(.....)

For M/s .....

(Seal & Sign)