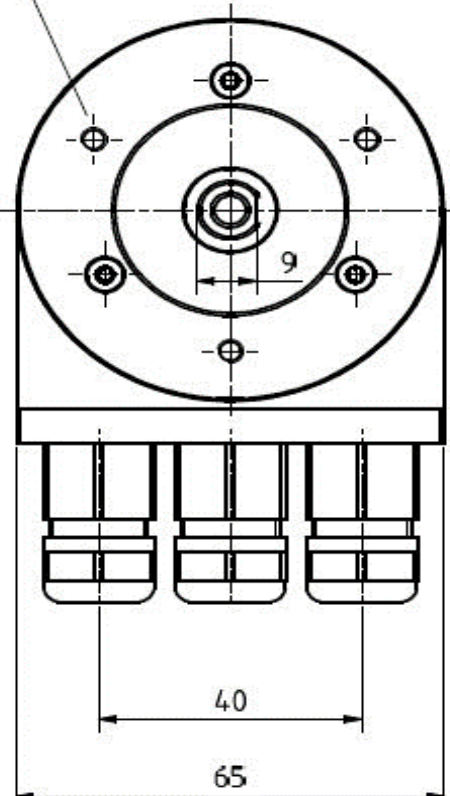
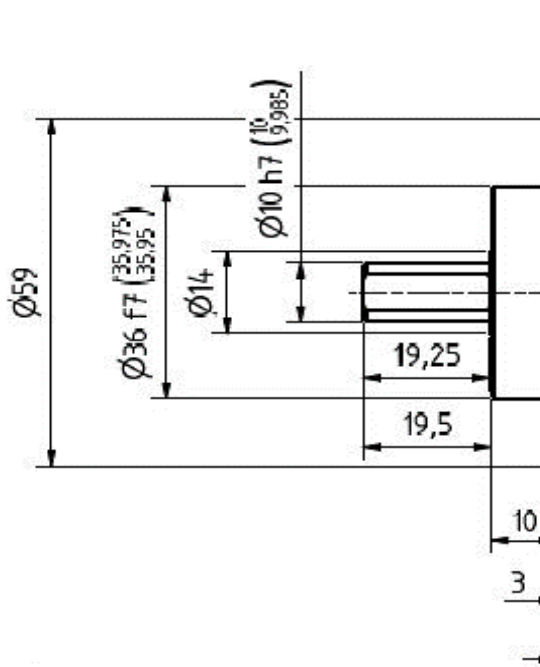
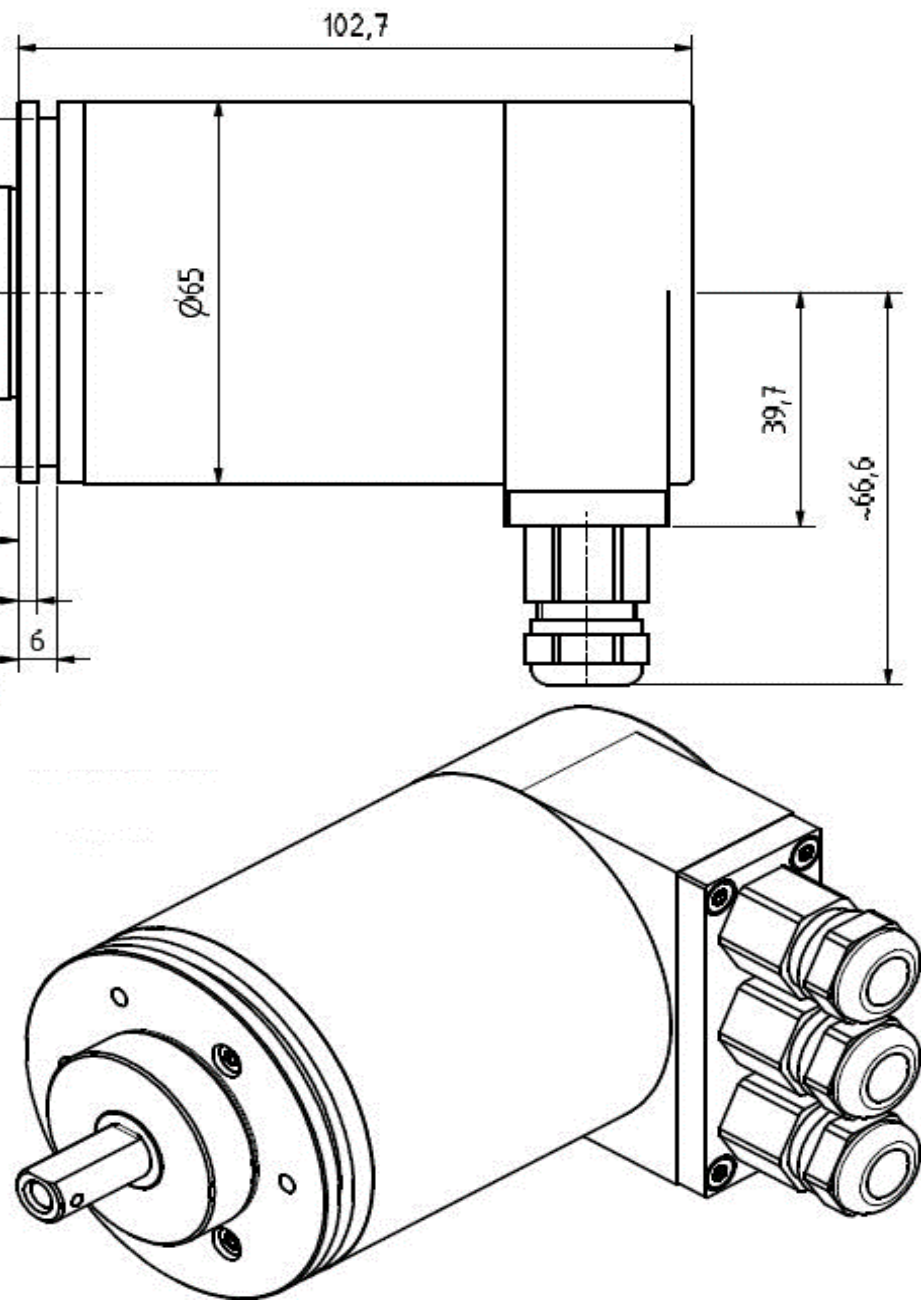
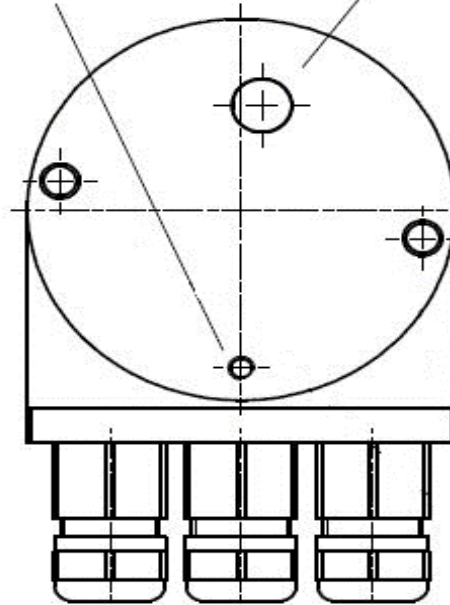


**PROFIBUS DP ABSOLUTE ENCODER  
SPECIFICATION SHEET**

SI. No.	DESCRIPTION	BHEL'S REQUIREMENT	BIDDER'S RESPONSE	COMMENTS
1	<b>Technical Details</b>			
1.1	Make	Bidder to specify		
1.2	Model / Part Number	Bidder to specify		
1.3	Impulse / Increment per revolution	8192		
1.4	Interface	Profibus DP		
1.5	Output Code	Programmable		
1.6	Output Level	RS 485		
1.7	Counting Direction	CW / CCW		
1.9	Rotational Speed (rpm)	3000		
1.10	Number of revolutions (rpm)	4096		
1.11	Resolution of revolution	8192		
1.12	Total resolution	33554432		
1.13	Shaft Diameter (mm)	10		
1.14	Shaft Type	10FL / 19.5		
1.15	Max. permissible shaft acting force - axial (N)	40		
1.16	Max. permissible shaft acting force - radial (N)	60		
1.17	Max. permissible vibration (m/s <sup>2</sup> )	100		
1.18	Max. shock load (m/s <sup>2</sup> )	1000		
1.19	Max. rotational speed (rpm)	6000		
1.20	Nominal Voltage	11 to 27 V DC		
1.21	Power consumption	Bidder to specify		
1.22	Plug terminals	Terminals Inside		
1.23	Connector Type	3XPG9		
1.24	Connector Pin	PG Radial		
1.25	Flange Type	ZB36		
1.26	Type of Enclosure	IP 65		
1.27	Operating temperature	0.....+80 Deg C		
1.28	PNO Certificate	The profibus Trade Organization certificate shall be attached.		
2	<b>DIMENSIONAL DETAILS</b>			
2.1	Dimensions as per the drawing given below. All Dimensions are in mm.	Bidder to specify Dimensional Deviations if any		

PROFIBUS DP ABSOLUTE ENCODER  
SPECIFICATION SHEET

SI. No.	DESCRIPTION	BHEL'S REQUIREMENT	BIDDER'S RESPONSE	COMMENTS
	<p>3xM4, TK<math>\varnothing</math>4.8<math>\pm</math>0.2, (3x120°)</p> 			
				

**PROFIBUS DP ABSOLUTE ENCODER  
SPECIFICATION SHEET**

SI. No.	DESCRIPTION	BHEL'S REQUIREMENT	BIDDER'S RESPONSE	COMMENTS
3	<b>QUALIFYING CONDITIONS AND DOCUMENTS TO BE SUBMITTED</b>			
3.1	Only those Bidders who have supplied similar Encoders that is working satisfactorily for at least two year after commissioning should quote.	Bidder to confirm. Attach relevant copies		
3.2	Encoder Data sheet	Bidder to attach along with the offer		
3.3	Encoder GA drawing	Bidder to attach along with the offer		
3.4	Encoder Test reports	To be provided during supply		
3.5	Operation and maintenance manuals.	To be provided during supply		
3.6	Commissioning software, GSD files and related documents in CD-ROM mode.	To be provided during supply		