

# BHARAT HEAVY ELECTRICALS LIMITED

(A Govt. of India Undertaking)

High Pressure Boiler Plant, Tiruchirappalli 620 014, India

**MAINTENANCE & SERVICES DEPARTMENT**

☎: (0431) 2575263 Fax: (0431) 2576805 e-mail: [gtraj@bheltry.co.in](mailto:gtraj@bheltry.co.in)



ISO 9001

ENQ No: 9251700010

Dt.03.04.2017

## **NOTICE INVITING TENDER**

**SUB: FIXING AND COMMISSIONING OF ANTI-COLLISION DEVICE IN CRANES – REG.**

**Ref: Enquiry no: 9251700010 / DATED: 03/04/2017; DUE DT: 28/04/2017**

Tender of the following work should be submitted in a sealed cover consisting of three inner sealed covers such as 1) EMD cover, 2) Technical bid cover & 3) Price bid cover, all super-scribing the name of work, enquiry number etc.

- 1) EMD cover shall contain requisite **EMD of ₹ 1,200/-** remitted in cash (as permissible under Income Tax Act)/Electronic Fund Transfer credited in BHEL account before tender opening or Banker's cheque/Pay order/Demand Draft in favour of M/S BHEL Trichy. Tender without EMD will be summarily rejected and the Technical bid & price bid shall not be considered.
- 2) Technical bid cover shall contain duly filled in Technical bid document signed by the tenderer in all the pages with documentary evidences for pre-qualification such as experience, value of work executed in the similar nature of work etc. Any bid without proper documentary evidence for pre-qualification shall not be considered for further evaluation.
- 3) One set of unpriced bid of Contract Work Schedule duly signed by the tenderer for accepting the work content (BOM) should be submitted along with the Technical bid for technical evaluation.
- 4) The price bid cover shall contain price bid document duly filled in and signed by the tenderer in all the pages. The tenderer has to quote most competitive rates for all the items given in the Bill of Quantities in price bid.

The complete Technical bid and price bid along with requisite **EMD of ₹ 1,200/-** shall reach the office of the undersigned on or before **28/04/2017 at 14.00 Hrs.**

MSE suppliers can avail EMD Waiver benefits only if they submit along with the offer, attested copies of either EM II Certificate having deemed validity (five years from the date of issue of acknowledgement in EM II) or valid NSIC certificate or EM II Certificate along with attested copy of a CA Certificate (Format Enclosed). Tenders without EMD/MSME proof as detailed above will be summarily rejected.

# BHARAT HEAVY ELECTRICALS LIMITED

(A Govt. of India Undertaking)

High Pressure Boiler Plant, Tiruchirappalli 620 014, India

**MAINTENANCE & SERVICES DEPARTMENT**

☎: (0431) 2575263 Fax: (0431) 2576805 e-mail: [gtraj@bheltry.co.in](mailto:gtraj@bheltry.co.in)



ISO 9001

ENQ No: 9251700010

Dt.03.04.2017

The Technical bid will be opened on the same day at 14.30 hrs. In case of opening day falls on holiday or happened to be declared as a holiday the receipt and opening of the tender shall automatically fall on the same timing of the next working day. Date and time of opening of the Price Bid shall be intimated only to the bidders those who have qualified after evaluation of the Technical bid. You / Your authorized representative may participate in the tender opening.

Clarification if any can be obtained from the undersigned.

Kindly acknowledge the receipt of the entire set of tender document.

Thanking you,

Yours faithfully,

For Bharat Heavy Electricals Limited,  
Sr. Manager  
Contracts  
Maintenance & Services Dept

Encl:

- 1) NIT – Notice Inviting tender (Consists of Preamble, Technical Bid & price bid)

Tender should be addressed to: **THE SENIOR MANAGER,**

**MAINTENANCE & SERVICES / CONTRACTS,**

**2&4 BUILDING, BHARAT HEAVY ELECTRICALS LIMITED, HIGH**

**PRESSURE BOILER PLANT,**

**TIRUCHIRAPPALLI - 620014,**

**TAMILNADU**

Sign & Seal of Contractor

# BHARAT HEAVY ELECTRICALS LIMITED

(A Govt. of India Undertaking)

High Pressure Boiler Plant, Tiruchirappalli 620 014, India

**MAINTENANCE & SERVICES DEPARTMENT**

☎: (0431) 2575263 Fax: (0431) 2576805 e-mail: [gtraj@bheltry.co.in](mailto:gtraj@bheltry.co.in)



ISO 9001

ENQ No: 9251700010

Dt.03.04.2017

## **NOTICE INVITING TENDER**

01.	Name of work	<b>FIXING AND COMMISSIONING OF ANTI-COLLISION DEVICE IN CRANES.</b>
02.	Earnest Money Deposit	<b>₹ 1200/-</b>
03.	Duration of the contract	3 Months from date of commencement of the work)
04.	Last Date for Receipt of Tender	14.00 Hrs on 28/04/2017
05.	Date of Technical Bid Opening	14.30 Hrs on 28/04/2017
05.	Date of Price Bid Opening	Will be intimated to those who are Qualified separately.
07.	Guarantee Period	Not applicable

The Tender documents can be down loaded from BHEL website ([www.bhel.com](http://www.bhel.com)) / govt. website ([www.tenders.gov.in](http://www.tenders.gov.in)) at free of cost.

Tender document contains 09 Pages (Technical Bid -08 Pages, Schedule for price bid – 01 page).

ISSUING OFFICER

Sign & Seal of Contractor

# BHARAT HEAVY ELECTRICALS LIMITED

(A Govt. of India Undertaking)

High Pressure Boiler Plant, Tiruchirappalli 620 014, India

**MAINTENANCE & SERVICES DEPARTMENT**

☎: (0431) 2575263 Fax: (0431) 2576805 e-mail: [gtraj@bheltry.co.in](mailto:gtraj@bheltry.co.in)



ISO 9001

ENQ No: 9251700010

Dt.03.04.2017

## TECHNICAL BID

**NAME OF THE WORK: FIXING AND COMMISSIONING OF ANTI-COLLISION DEVICE IN CRANES.**

**Ref: Enquiry no: 9251700010/ DATED: 03/04/2017; DUE DT: 28/04/2017**

### PRE-QUALIFICATION CRITERIA

The following eligibility criteria shall be complied to fulfill the Technical bid:-

Sl. No	Description	Vendor to confirm
1	Vendor should have experience of having carried out Works in the field of LT Electrical Equipments in the past three years and should have executed minimum two Work Orders successfully.	
2	Performance certificate or Work Completion Certificate of any one Work Order to be submitted.	
3	Name and contact details like E-mail, Phone number, Fax no, etc. of the customer / company where the maintenance contract is executed. Bidder to confirm	
4	BHEL may verify the information provided by vendor. In case the information provided by vendor is found to be false / incorrect, the offer shall be rejected. Bidder to confirm.	
5	PAN Number (Copy to be Enclosed)	
6	Service tax Registration Number (If applicable) – Certificate copy to be enclosed	
7	Acceptance for Scope of Work as per the Enquiry	
8	Acceptance for All Terms & Conditions as per the Enquiry	
9	The bidder along with its associate/collaborators/sub-contractors/sub-vendors/consultans/service providers shall strictly adhere to BHEL fraud prevention policy displayed on BHEL website <a href="http://www.bhel.com">http://www.bhel.com</a> and shall immediately bring to the notice of BHEL management about any fraud or suspected fraud as soon as it comes to their notice	

Sign & Seal of Contractor

# BHARAT HEAVY ELECTRICALS LIMITED

(A Govt. of India Undertaking)

High Pressure Boiler Plant, Tiruchirappalli 620 014, India

**MAINTENANCE & SERVICES DEPARTMENT**

☎: (0431) 2575263 Fax: (0431) 2576805 e-mail: [gtraj@bheltry.co.in](mailto:gtraj@bheltry.co.in)



ISO 9001

ENQ No: 9251700010

Dt.03.04.2017

## SCOPE OF WORK: FIXING AND COMMISSIONING OF ANTI-COLLISION DEVICE IN CRANES.

ITEM NO.	SCOPE OF WORK	QTY & UOM
10	<p><b>1.0)Scope of Work:</b></p> <p>Fixing of Anti Collision Device (ACD), wiring and interfacing with LT Motion control, and testing of ACD in the EOT Cranes as mentioned in the list (Sl.No:3.0).</p> <p>1.1).Fixing of Anti-Collision Device and Reflector Set in the cranes across the line of sight as shown in fig.1.</p> <p>1.2)The alignment of the transmitter and receiver can be set perfectly with the help of Laser point source available in the ACD.</p> <p>1.3)Necessary mounting brackets (adjustable if required) shall be made to mount the ACD and the reflector.</p> <p>1.4)Wiring shall be done to interface the LT forward/reverse motion with ACD using 4CX1.5Sq.mm Cable of 25 Metres length approximately.</p> <p>1.5)Cable shall be laid on the cable tray and shall be tied at regular intervals.</p> <p>1.6)Testing of ACD shall be carried out for Anti-Collision of the two cranes.</p> <p><b>2.0)General Terms and Conditions:</b></p> <p>2.1)Welding and Cutting set and consumables required for fixing ACD and preparing mounting brackets will be provided by BHEL.</p> <p>2.2)Cables of required length and cable tie shall be provided by BHEL.</p> <p>2.3)The work shall be carried out by Electrician holding 'B' Certificate license, issued by Electrical licensing Board of Tamil Nadu Government.</p> <p>2.4)All the works shall involve working in EOT Crane at the height of 10 Meters approximately.</p> <p>2.5)All the PPEs necessary to carry out the work in Crane shall be under Contractor's scope.</p>	50 SET

Sign & Seal of Contractor

# BHARAT HEAVY ELECTRICALS LIMITED

(A Govt. of India Undertaking)

High Pressure Boiler Plant, Tiruchirappalli 620 014, India

**MAINTENANCE & SERVICES DEPARTMENT**

☎: (0431) 2575263 Fax: (0431) 2576805 e-mail: [gtraj@bheltry.co.in](mailto:gtraj@bheltry.co.in)



ISO 9001

ENQ No: 9251700010

Dt.03.04.2017

3.0).List of Cranes and locations to be fixed:					
S.NO	BLDG	BAY	CRANE	LOC.	QUANTITY OF ACD
01	1	A	8142	END	1
02	1	A	8136	MIDDLE	2
03	1	A	8156	MIDDLE	2
04	1	A	8105	END	1
05	1	B	8100	END	1
06	1	B	8126	MIDDLE	2
07	1	B	8139	MIDDLE	2
08	1	B	8143	END	1
09	1	C	8128	END	1
10	1	C	8102	MIDDLE	2
11	1	C	8091	MIDDLE	2
12	1	C	8147	END	1
13	1	D	8113	END	1
14	1	D	8123	MIDDLE	2
15	1	D	8103	MIDDLE	2
16	1	D	8044	END	1
17	1	E	8046	END	1
18	50	2	8150	MIDDLE	2
19	50	2	8149	MIDDLE	2
20	50	2	8068	END	1
21	50	3	8140	MIDDLE	2
22	50	3	8148	MIDDLE	2
23	50	6	8163	MIDDLE	2
24	50	9	8182	END	1
25	50	9	8181	MIDDLE	2
26	50	A	8135	END	1
27	50	A	8125	MIDDLE	2
28	50	A	8081	MIDDLE	2
29	50	A	8097	END	1
30	50	B	8160	END	1
31	50	B	8082	MIDDLE	2
32	50	B	8083	MIDDLE	2

Sign & Seal of Contractor

# BHARAT HEAVY ELECTRICALS LIMITED

(A Govt. of India Undertaking)

High Pressure Boiler Plant, Tiruchirappalli 620 014, India

**MAINTENANCE & SERVICES DEPARTMENT**

☎: (0431) 2575263 Fax: (0431) 2576805 e-mail: [gtraj@bheltry.co.in](mailto:gtraj@bheltry.co.in)

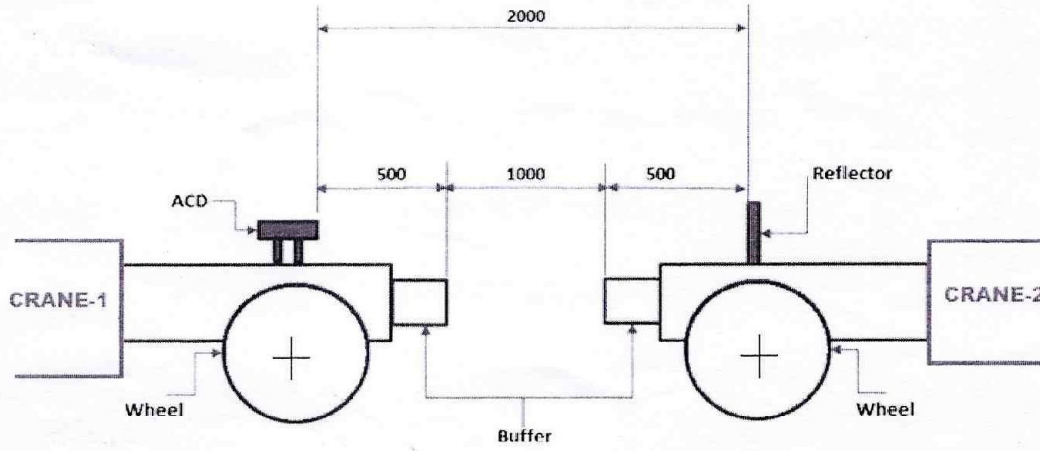


ISO 9001

ENQ No: 9251700010

Dt.03.04.2017

## Fixing of Anti-Collision Device (ACD) and Reflector in Cranes



\* All Dimensions in mm  
\* ACD to range be set at 4mtr

Fig. 1

## Wiring Diagram

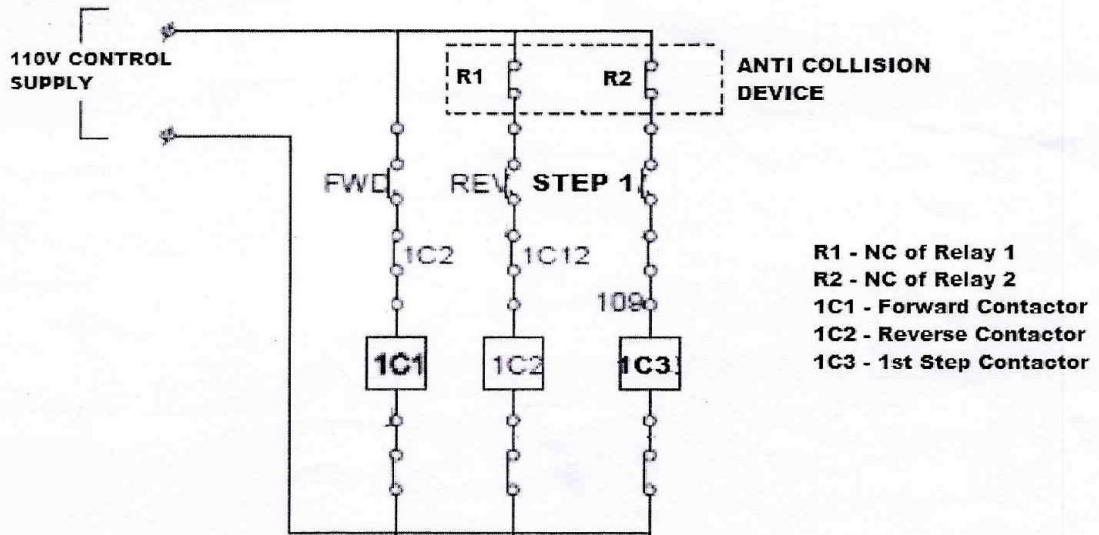


Fig.2

Sign & Seal of Contractor

# BHARAT HEAVY ELECTRICALS LIMITED

(A Govt. of India Undertaking)

High Pressure Boiler Plant, Tiruchirappalli 620 014, India

**MAINTENANCE & SERVICES DEPARTMENT**

☎: (0431) 2575263 Fax: (0431) 2576805 e-mail: [gtraj@bheltry.co.in](mailto:gtraj@bheltry.co.in)



ISO 9001

ENQ No: 9251700010

Dt.03.04.2017

## **GENERAL TERMS AND CONDITIONS FOR M&S CONTRACTS**

- 1) The workmen of contractor should be covered under PF/ESI, etc as per labour laws.
- 2) Safety precautions have to be ensured by the Contractor Depending on the work nature. Necessary work permit system and personal protective equipments (PPE) such as electrical resistance rubber gloves, helmet, spectacle goggles, safety shoes, safety belt etc. as applicable to Mechanical works should be adhered while carrying out the work.
- 3) PPES for appropriate trade job has to be ensured by the contractor at the job site at all times.
- 4) The contractors may visit the area to assess the quantum of work before quoting.
- 5) The contractor should mention the point to point confirmation.
- 6) Contractor should commit for Terms and Conditions of the enquiry otherwise the offer shall be liable for rejection.
- 7) **TWO PART BID SYSTEM:** Contractor should send their offer for two part bid system as below
- 8) Contractor may visit to get acquaintance with quantum of day to day work by visiting BHEL Trichy premises before quoting.
- 9) The contractor should quote the exact time required to complete the work in their offer.

### **TENDERING CONDITIONS:**

- a) The Bidders shall submit the offer in TWO PART BID SYSTEM (Part -I & II) along with EMD as indicated below which shall be sealed in ONE OUTER ENVELOPE.
- b) Envelope I- This sealed envelope should contain all the copies of technical bid together with un-priced commercial bid. This envelope should be clearly marked "Part I - Technical and commercial bid", indicating Enquiry No., Due Date and Address & Reference of the Bidder. Envelope I should contain sealed EMD cover indicating the enquiry detail.
- c) Envelope II - This sealed envelope should contain price details. This envelope should be clearly marked as - "Part -II Price bid", indicating Enquiry No., Due Date and Address & Reference of the Bidder.
- d) Envelope III - This sealed envelope should contain requisite **EMD**. This envelope should be clearly marked as - "EMD COVER", indicating Enquiry No., Due Date and Address & Reference of the Bidder.
- e) All the three envelopes shall be put in one cover, duly sealed, super scribing as offer for Enquiry No., and due date of opening, Name of the work and the address and reference of the Bidder.
- f) The offer should reach this office on or before the due date by 14.00 Hrs. (IST). Late offers will not be considered.

Sign & Seal of Contractor

# BHARAT HEAVY ELECTRICALS LIMITED

(A Govt. of India Undertaking)

High Pressure Boiler Plant, Tiruchirappalli 620 014, India

**MAINTENANCE & SERVICES DEPARTMENT**

☎: (0431) 2575263 Fax: (0431) 2576805 e-mail: [gtraj@bheltry.co.in](mailto:gtraj@bheltry.co.in)



ISO 9001

ENQ No: 9251700010

Dt.03.04.2017

g) Tender should not be addressed to any Individual's name but only by designation to:

THE SENIOR MANAGER  
MAINTENANCE & SERVICES / CONTRACTS,  
2&4 BUILDING,  
BHARAT HEAVY ELECTRICALS LIMITED,  
HIGH PRESSURE BOILER PLANT,  
TIRUCHIRAPALLI - 620 014.  
TAMIL NADU, INDIA.

h) Tenders should be free from CORRECTION AND ERASURES, Corrections if any, must be attested. All amounts shall be indicated both in words as well as in figures. Where there is difference between amount quoted in words and figures, amount quoted in words shall prevail.

i) Offers should be in ENGLISH and accompanied by detailed Point to point confirmation of the scope of work.

## OPENING OF TENDERS:

- The Part I - Technical & un-priced commercial bid and EMD Cover alone would be opened on the Tender opening date(as mentioned in the enquiry) by 14.30Hrs(IST)
- The Part II - Price bid of technically suitable Bidders alone would be opened. The Technically suitable Bidders would be informed about the Price bid opening date.
- Clarifications if any required by BHEL for Technical evaluation would be sought from Bidders before opening of Part II - price bid.

## SERVICE TAX:

- A copy of Service tax remittance challan for previous quarter should be submitted along with offer if the contractor is claiming service tax.
- If Contractor is exempted from service tax then a declaration that they are within the threshold limit should be submitted along with the offer.

## LD CLAUSE:

If the contractor fails to complete the work as per terms & conditions of the order within the delivery schedule, 0.5% of the order value will be deducted for each week of delay or part thereof subject to a maximum of 10% of the total contract value.

**IMPORTANT NOTE:** BHEL reserves the right to short close this AMC with one month advance notice due to administrative reasons. BHEL's decision in this regard is final. Under such circumstances payment will be made for actual number of cleanings carried out up to the period.

\*\*\*\*\*

Sign & Seal of Contractor

# BHARAT HEAVY ELECTRICALS LIMITED

(A Govt. of India Undertaking)

High Pressure Boiler Plant, Tiruchirappalli 620 014, India

**MAINTENANCE & SERVICES DEPARTMENT**

☎: (0431) 2575263 Fax: (0431) 2576805 e-mail: [gtraj@bheltry.co.in](mailto:gtraj@bheltry.co.in)



ISO 9001

ENQ No: 9251700010

Dt.03.04.2017

## **COMMERCIAL TERMS AND CONDITONS FOR M&S CONTRACTS**

- 1) 100% Payment will be made after completion of work on pro rata basis on submission of invoice in triplicate duly certified by Engineer In Charge.
- 2) Attendance register should be maintained.
- 3) EMD is to be submitted and is to be remitted in cash (as permissible under Income Tax Act)/Electronic Fund Transfer credited in BHEL account before tender opening or Banker's cheque/Pay order/Demand Draft in favour of M/S BHEL Trichy along with offer. **Offers without EMD shall be liable for rejection.**
- 4) Security Deposit shall be furnished by the successful vendor to the total contract value before starting the work. The total amount of Security Deposit will be 5% of the contract value. EMD of the successful tenderer shall be converted and adjusted towards the required amount of Security Deposit. SD is forfeited in case of any failure in execution of the contract or due to any shortcomings observed in the documentation furnished earlier for getting qualified or in case the Contractor is banned.
- 5) An additional payment as per circular ref. BHE/HR/W/EW/08.04.2014 is to be paid to the contract workmen as below, over and above the minimum wages prescribed by the government of Tamil Nadu:

Unskilled	-	Rs.3200/-
Semiskilled	-	Rs.3700/-
Skilled	-	Rs.4100/-
- 6) Bonus @ 8.33 % to workmen to be paid.
- 7) **Rate should be quoted as per price bid.**
- 8) Taxes if any will be mentioned separately in the offer.
- 9) The rate that is offered should be comprehensive and no separate charges will be made towards expenses like travel, boarding and lodging.
- 10) The contractor should quote the validity of the offer.
- 11) If two or more vendors offer the same rate, negotiation will be conducted separately.
- 12) The contractor should remit the salary/wages for their workmen only through Bank. Monthly clearance will be given in respect of all contractors, if only the salary/ wages to the workmen has been remitted through the bank account of the contract workmen. The relevant Bank statement/proof for Bank payment should be produced along with PF and ESI challan's to Welfare Section every month.

\*\*\*\*\*

Sign & Seal of Contractor

## Certificate by Chartered Accountant on Letter Head

This is to certify that M/s. \_\_\_\_\_ (hereinafter referred to as 'company') having its registered office at \_\_\_\_\_ is registered under MSMED Act 2006, (Entrepreneur Memorandum No (Part II)) \_\_\_\_\_ dt. \_\_\_\_\_, Category: (Micro/Small). (Copy enclosed).

Further verified from the Books of Accounts that the investment of the company as per the latest audited financial year \_\_\_\_\_ as per MSMED Act 2006 is as follows:

**1. For Manufacturing Enterprises:** Investment in plant and machinery (i.e. original cost excluding land and building and the items specified by the Ministry of Small Scale Industries vide its notification No. S.O.1722(E) dated October 5, 2006):

₹ \_\_\_\_\_ Lacs

**2. For Service Enterprises:** Investment in equipment (original cost excluding land and building and furniture, fittings and other items not directly related to the service rendered or as may be notified under the MSMED Act 2006):

₹ \_\_\_\_\_ Lacs

**(Strike off whichever is not applicable)**

The above investment of ₹ \_\_\_\_\_ Lacs is within permissible limit of ₹ \_\_\_\_\_ Lacs for \_\_\_\_\_ Micro / Small (Strike off which is not applicable) Category under MSMED Act 2006.

Or

The company has been graduated from its original category (Micro/Small) (Strike off which is not applicable) and the date of graduation of such enterprise from its original category is ..... (dd/mm/yyyy) which is within the period of 3 years from the date of graduation of such enterprise from its original category as notified vide S.O. No. 3322(E) dated 01.11.2013 published in the gazette notification dated 04.11.2013 by Ministry of MSME.

Date:

(Signature)

Name:

Membership number:

Seal of Chartered Accountant

# BHARAT HEAVY ELECTRICALS LIMITED

(A Govt. of India Undertaking)

High Pressure Boiler Plant, Tiruchirappalli 620 014, India

**MAINTENANCE & SERVICES DEPARTMENT**

☎: (0431) 2575263 Fax: (0431) 2576805 e-mail: [gtraj@bheltry.co.in](mailto:gtraj@bheltry.co.in)

ENQ No: 9251700010

Dt.03.04.2017

## **SCHEDULE FOR PRICE BID**

**SUB: FIXING AND COMMISSIONING OF ANTI-COLLISION DEVICE IN CRANES.**

**Ref: Enquiry no: 9251700010 / DATED: 03/04/2017; DUE DT: 28/04/2017**

ITEM No.	DESCRIPTIONS	UOM	QTY	RATE IN ₹	VALUE IN ₹
10	Fixing of Anti Collision Device (ACD), wiring and interfacing with LT Motion control, and testing of ACD in the EOT Cranes as mentioned in the list (Sl.No:3.0).	SET	50		

### ❖ Taxes if any should be quoted extra

- 1). Payment terms: 100% Payment will be made after completion of work on pro rata basis on submission of invoice in triplicate duly certified by Engineer In Charge.
- 2). Tax deduction will be made from the every bill at the prevailing rate as per the Government rule and regulation from time to time.
- 3). Detailed scope of work and other terms and conditions are specified in the Technical Bid of the Tender. Drawing for fixing of Anti- collision device is attached.

Sign & Seal of Contractor