

BHARAT HEAVY ELECTRICALS LIMITED

(A Govt.of India Undertaking)

High Pressure Boiler Plant, Tiruchirappalli 620 014, India

MAINTENANCE & SERVICES DEPARTMENT

☎: (0431) 2575263 Fax: (0431) 2576805 e-mail:gtraj@bheltry.co.in



ISO 9001

ENQ No: 9241600155

23.09.2016

NOTICE INVITING TENDER

Sub: **REMOULDING OF PINCH ROLLERS FOR STBW MACHINES AT BAY A/BLDG-50– Reg.**

Ref: Enquiry no: 9241600155 Dated : 23/09/2016. Due date: 14/10/2016, 14.00 Hrs.

Tender of the following work should be submitted in a sealed cover consisting of three inner sealed covers such as 1) EMD cover, 2) Technical bid cover & 3) Price bid cover, all superscribing the name of work, enquiry number etc.

- 1) EMD cover shall contain requisite **EMD of Rs.1,028/-** remitted in cash (as permissible under Income Tax Act)/Electronic Fund Transfer credited in BHEL account before tender opening or Banker's cheque/Pay order/Demand Draft in favour of M/S BHEL Trichy. Tender without EMD / one time EMD reference will be summarily rejected and the Technical bid & price bid shall not be considered.
- 2) Technical bid cover shall contain duly filled in Technical bid document signed by the tenderer in all the pages with documentary evidences for pre-qualification such as experience, value of work executed in the similar nature of work etc. Any bid without proper documentary evidence for pre-qualification shall not be considered for further evaluation.
- 3) One set of unpriced bid of Contract Work Schedule duly signed by the tenderer for accepting the work content (BOM) should be submitted along with the Technical bid for technical evaluation.
- 4) The price bid cover shall contain price bid document duly filled in and signed by the tenderer in all the pages. The tenderer has to quote most competitive rates for all the items given in the Bill of Quantities in price bid.

The complete Technical bid and price bid along with requisite **EMD of Rs.1,028/-** shall reach the office of the undersigned on or before 14/10/2016 at 14.00 Hrs.

MSE suppliers can avail EMD Waiver benefits only if they submit along with the offer, attested copies of either EM II Certificate having deemed validity (five years from the date of issue of acknowledgement in EM II) or valid NSIC certificate or EM II Certificate along with attested copy of a CA Certificate (Format Enclosed). Tenders without EMD/MSME proof as detailed above will be summarily rejected.

Sign & Seal of Contractor

BHARAT HEAVY ELECTRICALS LIMITED

(A Govt.of India Undertaking)

High Pressure Boiler Plant, Tiruchirappalli 620 014, India

MAINTENANCE & SERVICES DEPARTMENT

☎: (0431) 2575263 Fax: (0431) 2576805 e-mail:gtraj@bheltry.co.in



ISO 9001

The Technical bid will be opened on the same day at 14.30 hrs. In case of opening day falls on holiday or happened to be declared as a holiday the receipt and opening of the tender shall automatically fall on the same timing of the next working day. Date and time of opening of the Price Bid shall be intimated only to the bidders those who have qualified after evaluation of the Technical bid. You / Your authorized representative may participate in the tender opening.

Clarification if any can be obtained from the undersigned.

Kindly acknowledge the receipt of the entire set of tender document.

Thanking you,

Yours faithfully,

For Bharat Heavy Electricals Limited,

Sr. Manager

Contracts

Maintenance & Services Dept

Encl:

- 1) NIT – Notice Inviting tender (Consists of Preamble, Technical Bid & price bid)

Tender should be addressed to: **THE SENIOR MANAGER,**

MAINTENANCE & SERVICES / CONTRACTS,

2&4 BUILDING, BHARAT HEAVY ELECTRICALS LIMITED,

HIGH PRESSURE BOILER PLANT,

TIRUCHIRAPPALLI - 620014,

TAMILNADU

Sign & Seal of Contractor

BHARAT HEAVY ELECTRICALS LIMITED

(A Govt.of India Undertaking)

High Pressure Boiler Plant, Tiruchirappalli 620 014, India

MAINTENANCE & SERVICES DEPARTMENT

☎: (0431) 2575263 Fax: (0431) 2576805 e-mail:gtraj@bheltry.co.in



ISO 9001

NOTICE INVITING TENDER

01.	Name of work	REMOULDING OF PINCH ROLLERS FOR STBW MACHINES AT BAY A/BLDG-50
02.	Earnest Money Deposit	Rs.1,028/-
03.	Duration of the contract	SIX MONTHS (From the date of commencement of the work)
04.	Last Date for Receipt of Tender	14.00 Hrs on 14/10/2016
05.	Date of Technical Bid Opening	14.30 Hrs on 14/10/2016
05.	Date of Price Bid Opening	Will be intimated to those who are Qualified separately.
07.	Guarantee Period	Not applicable

The Tender documents can be down loaded from BHEL website (www.bhel.com) / govt. website (www.tenders.gov.in) at free of cost.

Tender document contains 11 Pages (Technical Bid – 10 Pages, Schedule for price bid – 01 page).

ISSUING OFFICER

Sign & Seal of Contractor

BHARAT HEAVY ELECTRICALS LIMITED

(A Govt.of India Undertaking)

High Pressure Boiler Plant, Tiruchirappalli 620 014, India

MAINTENANCE & SERVICES DEPARTMENT

☎: (0431) 2575263 Fax: (0431) 2576805 e-mail:gtraj@bheltry.co.in



ISO 9001

TECHNICAL BID

NAME OF THE WORK: REMOULDING OF PINCH ROLLERS FOR STBW MACHINES AT BAY A/BLDG-50

Enquiry no: 9241600155 Dated : 23/09.2016. Due date: 14/10/2016, 14.00 Hrs.

PRE-QUALIFICATION CRITERIA

The following eligibility criteria shall be complied to fulfill the Technical bid:-

Sl. No	Description	Vendor to confirm
1	Only those BIDDER/SERVICE PROVIDER, who have manufactured or remoulded and supplied similar type of Polyurethane material on Metal rollers of minimum outer diameter 150mm in any engineering industry in the last three years (from the date of opening of tender) are eligible to participate in the tender. Documentary proofs/Xerox copies of the POs proving the same are to be enclosed. Otherwise offer is liable for rejection. Bidder to confirm.	
2	Name and contact details like E-mail, Phone number, Fax no, etc. of the customer / company where the maintenance contract is executed. Bidder to confirm	
3	BHEL may verify the information provided by vendor. In case the information provided by vendor is found to be false / incorrect, the offer shall be rejected. Bidder to confirm.	
4	PAN Number (Copy to be Enclosed)	
5	Service tax Registration Number (If applicable) – Certificate copy to be enclosed	
6	Acceptance for Scope of Work as per the Enquiry	
7	Acceptance for All Terms & Conditions as per the Enquiry	

Sign & Seal of Contractor

BHARAT HEAVY ELECTRICALS LIMITED

(A Govt.of India Undertaking)

High Pressure Boiler Plant, Tiruchirappalli 620 014, India

MAINTENANCE & SERVICES DEPARTMENT

☎: (0431) 2575263 Fax: (0431) 2576805 e-mail:gtraj@bheltry.co.in



ISO 9001

SCOPE OF WORK:

1. REMOULDING OF PINCH ROLLERS AS PER DRG

Sl.	SCOPE OF WORK	QTY
A1	<p>Remoulding of Pinch Rollers with polyurethane material at bldg.-50:</p> <ol style="list-style-type: none">1. Remoulding with polyurethane material shall be done on the Pinch rollers as per drawing 4M-02F-14-17665-02 attached below.2. Metal pieces of pinch roller shall be supplied by the BHEL to the supplier through not-return gate pass.3. Remaining all raw materials like polyurethane and other consumables are in the scope of contractor.4. The metal pieces shall be cleaned with suitable acid to remove the rusting, scaling, dirt's before moulding.5. After cleaning the metal pieces, the same shall be moulded with polyurethane material as per the dimensions and shore hardness shown in the refered drawing.6. Before bulk supply, six numbers of samples shall be sent to BHEL for inspection/testing with actual job.7. After acceptance of samples by BHEL Area incharge/Engineer, the balance quantities shall be supplied.8. The finished products shall be sent to BHEL by the suppliers through D.C in triplicate duly stamped BHEL gate entry.9. The Collection of Steel metal pieces from BHEL and also handing over of finished products to BHEL shall be the contractor's scope. No separate charges will be paid for that. <p>Note : Period of contract is six months.</p>	30 NO

Sign & Seal of Contractor

BHARAT HEAVY ELECTRICALS LIMITED

(A Govt. of India Undertaking)

High Pressure Boiler Plant, Tiruchirappalli 620 014, India

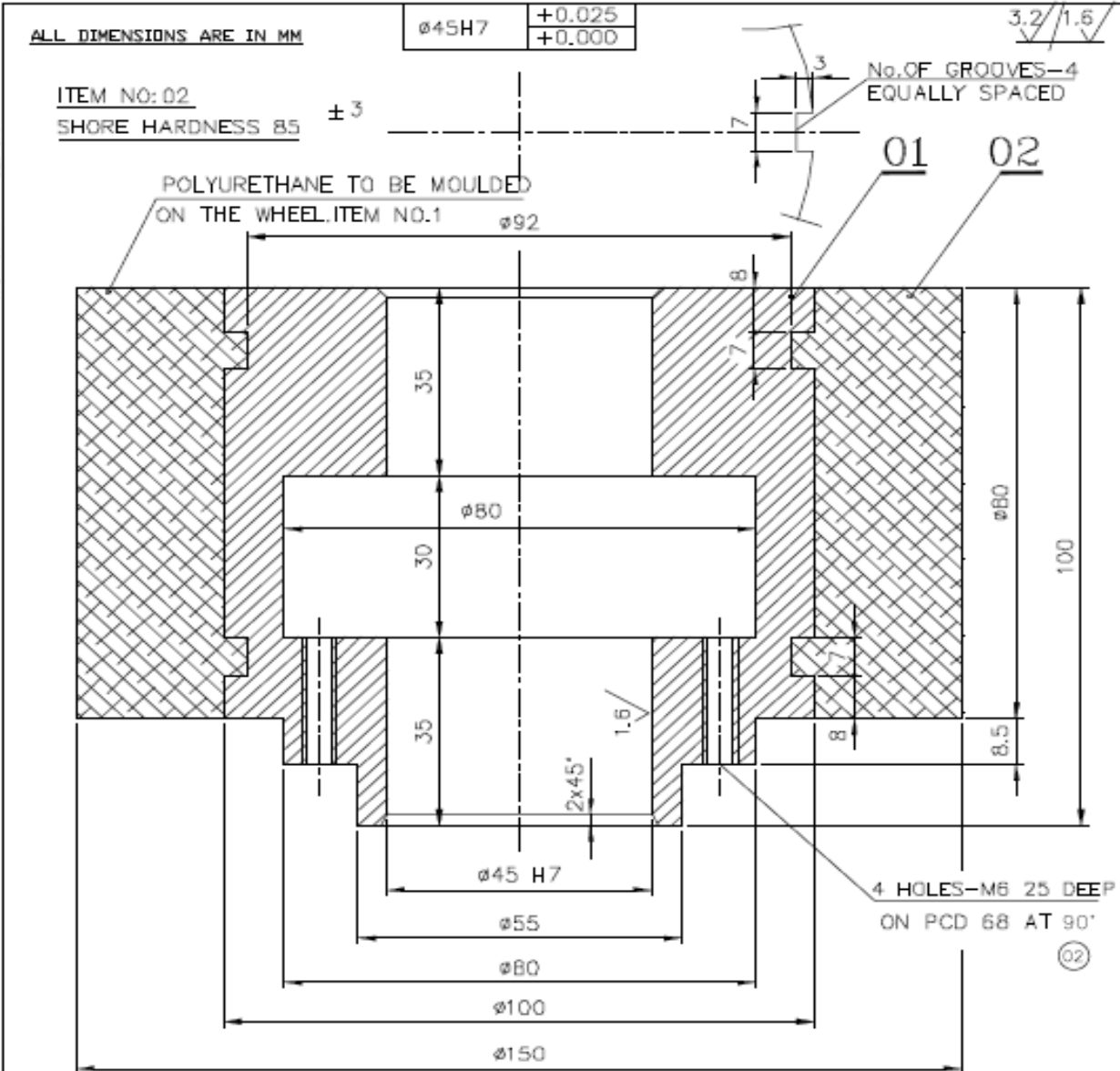
MAINTENANCE & SERVICES DEPARTMENT

☎: (0431) 2575263 Fax: (0431) 2576805 e-mail: gtraj@bheltry.co.in



ISO 9001

CAUTION: THIS DRAWING IS OUR SOLE PROPERTY AND SHOULD NOT BE USED IN ANY FORM FOR ANY PURPOSE WITHOUT THE WRITTEN PERMISSION OF BHARAT HEAVY ELECTRICALS LIMITED TIRUCHIRAPPALLI - 620 014.



1	ROLLER	POLYURETHNE				02
1	ROD ϕ 100x100	45 C8	IS: 7283	2.7		01
2	ASSY			2.7	1-M-02F14-0804	15

No. of Pieces	DESCRIPTION	MATERIAL	STANDARD	NET.WT.IN KGS.	DRAWING No.	ITEM No.
	REFERENCE:		ALTERATIONS:	DCN REF	DATE	SIGN.
SCALE	DRAWN	P. Albertrose	GRIPING GROOVE ADDED			01
1:1	CHECKED	R. Ramamoorthy	DIMN. 90° WAS 30°		09.02.12	C.S.J (02)
	APPROVED	C.S. Jayasheelan				
	DATE	26-06-06				

	MACHINE: PINCH ROLL	TYPE : PRG
	TITLE: ROLLER	DRAWING No: 4M02F141766502
		Sheet No: No. of Sheets: REV.:

Sign & Seal of Contractor

BHARAT HEAVY ELECTRICALS LIMITED

(A Govt.of India Undertaking)

High Pressure Boiler Plant, Tiruchirappalli 620 014, India

MAINTENANCE & SERVICES DEPARTMENT

☎: (0431) 2575263 Fax: (0431) 2576805 e-mail:gtraj@bheltry.co.in



ISO 9001

GENERAL TERMS AND CONDITIONS FOR M&S MECHANICAL CONTRACTS

- 1) The workmen of contractor should be covered under PF/ESI, etc as per labour laws.
- 2) Safety precautions have to be ensured by the Contractor Depending on the work nature. Necessary work permit system and personal protective equipments (PPE) such as electrical resistance rubber gloves, helmet, spectacle goggles, safety shoes, safety belt etc. as applicable to Mechanical works should be adhered while carrying out the work.
- 3) PPES for appropriate trade job has to be ensured by the contractor at the job site at all times.
- 4) The contractors may visit the area to assess the quantum of work before quoting.
- 5) The contractor should mention the point to point confirmation.
- 6) Contractor should commit for Terms and Conditions of the enquiry otherwise the offer shall be liable for rejection.
- 7) **TWO PART BID SYSTEM:** Contractor should send their offer for two part bid system as below
- 8) Documents submitted with the offer shall be signed and stamped in each page by authorized representative of the bidder.
- 9) Contractor must get acquaintance with quantum of day to day work either visiting BHEL Trichy premises or email us before quoting.
- 10) The contractor should quote the exact time required to complete the work in their offer.

TENDERING CONDITIONS:

- a) The Bidders shall submit the offer in TWO PART BID SYSTEM (Part -I & II) along with EMD as indicated below which shall be sealed in ONE OUTER ENVELOPE.
- b) Envelope I- This sealed envelope should contain all the copies of technical bid together with un-priced commercial bid. This envelope should be clearly marked "Part I - Technical and commercial bid", indicating Enquiry No., Due Date and Address & Reference of the Bidder. Envelope I should contain sealed EMD cover indicating the enquiry detail.
- c) Envelope II - This sealed envelope should contain price details. This envelope should be clearly marked as - "Part -II Price bid", indicating Enquiry No., Due Date and Address & Reference of the Bidder.
- d) Envelope III - This sealed envelope should contain requisite **EMD**. This envelope should be clearly marked as - "EMD COVER", indicating Enquiry No., Due Date and Address & Reference of the Bidder.
- e) All the three envelopes shall be put in one cover, duly sealed, super scribing as offer for Enquiry No., and due date of opening, Name of the work and the address and reference of the Bidder.
- f) The offer should reach this office on or before the due date by 14.00 Hrs. (IST). Late offers will not be considered.

Sign & Seal of Contractor

BHARAT HEAVY ELECTRICALS LIMITED

(A Govt.of India Undertaking)

High Pressure Boiler Plant, Tiruchirappalli 620 014, India

MAINTENANCE & SERVICES DEPARTMENT

☎: (0431) 2575263 Fax: (0431) 2576805 e-mail:gtraj@bheltry.co.in



ISO 9001

g) Tender should not be addressed to any Individual's name but only by designation to:

THE SENIOR MANAGER
MAINTENANCE & SERVICES / CONTRACTS,
2&4 BUILDING,
BHARAT HEAVY ELECTRICALS LIMITED,
HIGH PRESSURE BOILER PLANT,
TIRUCHIRAPALLI - 620 014.
TAMIL NADU, INDIA.

h) Tenders should be free from CORRECTION AND ERASURES, Corrections if any, must be attested. All amounts shall be indicated both in words as well as in figures. Where there is difference between amount quoted in words and figures, amount quoted in words shall prevail.

i) Offers should be in ENGLISH and accompanied by detailed Point to point confirmation of the scope of work.

OPENING OF TENDERS:

- The Part I - Technical & un-priced commercial bid and EMD Cover alone would be opened on the Tender opening date(as mentioned in the enquiry) by 14.30Hrs(IST)
- The Part II - Price bid of technically suitable Bidders alone would be opened. The Technically suitable Bidders would be informed about the Price bid openingdate.
- Clarifications if any required by BHEL for Technical evaluation would be sought from Bidders before opening of Part II - price bid.

SERVICE TAX:

- 1) A copy of Service tax remittance challan for previous quarter should be submitted along with offer if the contractor is claiming service tax.
- 2) If Contractor is exempted from service tax then a declaration that they are within the threshold limit should be submitted along with the offer.

LD CLAUSE :

If the contractor fails to complete the work as per terms & conditions of the order within the delivery schedule, 0.5% of the order value will be deducted for each week of delay or part thereof subject to a maximum of 10% of the total contract value.

IMPORTANT NOTE: IF THE CONTRACTOR PERFORMANCE NOT ABLE TO FULFILL AS PER ENQUIRY REQUIREMENT, THEN THE CONTRACT SHALL BE SHORT CLOSED AT ANY TIME.

Sign & Seal of Contractor

BHARAT HEAVY ELECTRICALS LIMITED

(A Govt.of India Undertaking)

High Pressure Boiler Plant, Tiruchirappalli 620 014, India

MAINTENANCE & SERVICES DEPARTMENT

☎: (0431) 2575263 Fax: (0431) 2576805 e-mail:gtraj@bheltry.co.in



ISO 9001

COMMERCIAL TERMS AND CONDCTIONS FOR M&S MECHANICAL CONTRACTS

- 1) 100% payment will be made after completion of entire work on submission of invoice in triplicate duly certified by Area In – charge.
- 2) Attendance register should be maintained.
- 3) EMD is to be submitted and is to be remitted in cash (as permissible under Income Tax Act)/Electronic Fund Transfer credited in BHEL account before tender opening or Banker's cheque/Pay order/Demand Draft in favour of M/S BHEL Trichy along with offer. **Offers without EMD shall be liable for rejection.**
- 4) Security Deposit shall be furnished by the successful vendor to the total contract value before starting the work. The total amount of Security Deposit will be 5% of the contract value. EMD of the successful tenderer shall be converted and adjusted towards the required amount of Security Deposit.
- 5) An additional payment as per circular ref. BHE/HR/W/EW/08.04.2014 is to be paid to the contract workmen as below, over and above the minimum wages prescribed by the government of Tamilnadu:

Unskilled	-	Rs.3200/-
Semiskilled	-	Rs.3700/-
Skilled	-	Rs.4100/-
- 6) Bonus @ 8.33 % to workmen to be paid.
- 7) **Rate should be quoted in unit rate.**
- 8) Taxes if any will be mentioned separately in the offer.
- 9) The rate that is offered should be comprehensive and no separate charges will be made towards expenses like travel, boarding and lodging.
- 10) The contractor should quote the validity of the offer.
- 11) If two or more vendors offer the same rate, negotiation will be conducted separately.

Sign & Seal of Contractor

Certificate by Chartered Accountant on Letter Head

This is to certify that M/s. _____ (hereinafter referred to as 'company') having its registered office at _____ is registered under MSMED Act 2006, (Entrepreneur Memorandum No (Part II)) _____ dt. _____, Category: (Micro/Small). (Copy enclosed).

Further verified from the Books of Accounts that the investment of the company as per the latest audited financial year ___ as per MSMED Act 2006 is as follows:

1. For Manufacturing Enterprises: Investment in plant and machinery (i.e. original cost excluding land and building and the items specified by the Ministry of Small Scale Industries vide its notification No. S.O.1722(E) dated October 5, 2006):

₹ _____ Lacs

2. For Service Enterprises: Investment in equipment (original cost excluding land and building and furniture, fittings and other items not directly related to the service rendered or as may be notified under the MSMED Act 2006):

₹ _____ Lacs

(Strike off whichever is not applicable)

The above investment of ₹ _____ Lacs is within permissible limit of ₹ _____ Lacs for

_____ Micro / Small (Strike off which is not applicable) Category under MSMED Act 2006.

Or

The company has been graduated from its original category (Micro/Small) (Strike off which is not applicable) and the date of graduation of such enterprise from its original category is (dd/mm/yyyy) which is within the period of 3 years from the date of graduation of such enterprise from its original category as notified vide S.O. No. 3322(E) dated 01.11.2013 published in the gazette notification dated 04.11.2013 by Ministry of MSME.

Date:

(Signature)

Name:

Membership number:

Seal of Chartered Accountant

SCHEDULE FOR PRICE BID

Sub: **REMOULDING OF PINCH ROLLERS FOR STBW MACHINES AT BAY A/BLDG-50 – Reg.**

Ref: Enquiry no: 9241600155 Dated: 23/09.2016. Due date: 14/10/2016, 14.00 Hrs.

1) REMOULDING OF PINCH ROLLERS AS PER DRG

Sl. No	Description	Qty	UOM	Rate	Value
A1	REMOULDING OF PINCH ROLLERS AS PER DRG	30	NO		

❖ **Taxes if any should be quoted extra**

- 1) Payment terms: Payment will be made after completion of work on pro rata basis on submission of invoice in triplicate duly certified by Engineer In Charge.
- 2) Tax deduction will be made from the every bill at the prevailing rate as per the Government rule and regulation from time to time.
- 3) Detailed scope of work and other terms and conditions are specified in the Technical Bid of the Tender.

Sign & Seal of Contractor