



**TECHNICAL SPECIFICATION FOR
TOPOGRAPHICAL SURVEY OF 2 X 660MW
DVC RAGHUNATHPUR TPS STAGE-II-
EPC PROPOSAL**

SPEC. NO.	PE-TS-P14-601-C001		
VOLUME	IIB		
SECTION	D		
REV. NO.	0	DATE	08/05/2023
SHEET	1	OF	11

**TECHNICAL SPECIFICATION
FOR
TOPOGRAPHICAL SURVEY**

1.0 GENERAL

1.1 This specification covers the technical requirements for carrying out “**Topographical Survey and Allied Works**” for the entire area/areas indicated for locating the power plant and its other systems. The work shall be executed in accordance with the specification and good standard of practice necessary to fulfil the objectives of the survey work strictly in accordance with the instruction and satisfaction of the engineer-in-charge.

2.0 SCOPE

2.1 The scope of work includes the following.

2.1.1 Carrying out topographical survey and preparation of plans (maps) and report of the entire area/areas indicated for locating the power plant and its other systems.

2.1.2 Carrying out bench mark (GTS / any other reference bench mark approved by the engineer-in-charge) to site/sites under survey by parallel levelling, establishing and constructing bench mark, grid and reference pillars in the field.

2.1.3 Spot level survey of the entire area/areas at specified intervals and development of contours.

2.1.4 Carrying out cross-section of canal/nallah as specified in the schedule of quantities by taking spot levels at 5m interval or less depending upon the site conditions and instructions of the engineer-in-charge.

2.1.5 Providing survey instruments, construction equipments, tools & plants, materials, labours, qualified surveyors, clearance of jungles, cutting of trees, earth work, scaffoldings, transport, supervision by competent engineers/surveyors, testing of materials, full insurance and all other incidental items as may be necessary for successful completion of the surveying , mapping and construction works etc.



**TECHNICAL SPECIFICATION FOR
TOPOGRAPHICAL SURVEY OF 2 X 660MW
DVC RAGHUNATHPUR TPS STAGE-II-
EPC PROPOSAL**

SPEC. NO.	PE-TS-P14-601-C001		
VOLUME	IIB		
SECTION	D		
REV. NO.	0	DATE	08/05/2023
SHEET	2	OF	11

- 2.1.6 Furnishing all field data and drawings on CD apart from hard copies.
- 2.1.7 Furnishing survey report as described in details in the succeeding paragraphs is also included in the scope of work.

3.0 TENDER DRAWING

- 3.1 The enclosed Topographical Survey Layout DWG No. PE-DG-P14-601-C001 indicate the tentative location of the area/areas to be surveyed for locating the project. The location/area(s) indicated in the drawing is subject to change that may be necessary during actual execution of the work. The work shall be carried out as per the instructions of the engineer-in-charge.
- 3.2 The bidder must visit the site prior to submitting his quotations to acquaint himself fully with the nature, type, scope of work and involvement therein. The rates quoted shall remain firm during the entire period of execution till completion of the work and any additional claim for lack of knowledge shall not be entertained.

4.0 SPECIFICATION

- 4.1 The work shall be executed according to the specification and good standard of practice necessary to fulfil the objectives of the survey work strictly in accordance with the instruction and satisfaction of the engineer-in-charge.
- 4.2 The specification shall be read in conjunction with the description of items in the schedule of quantities. The bidder shall refer to the employer for any discrepancy which may exist between the drawings, specification and corresponding items of the schedule for clarification before submission of quotation and the employer's decision as to the clarity of the point raised shall be final and binding on the bidder.
- 4.3 The work at site shall be carried out under the full time supervision by a qualified engineer or a senior surveyor. The engineer or senior surveyor shall be responsible for and capable of co-ordinating the work of the surveying teams, setting out the work accurately, identifying immediately and positively the type of instruments to be deployed and the



**TECHNICAL SPECIFICATION FOR
TOPOGRAPHICAL SURVEY OF 2 X 660MW
DVC RAGHUNATHPUR TPS STAGE-II-
EPC PROPOSAL**

SPEC. NO.	PE-TS-P14-601-C001		
VOLUME	IIB		
SECTION	D		
REV. NO.	0	DATE	08/05/2023
SHEET	3	OF	11

methodology of surveying to achieve speed and accuracy in the work and shall be fully conversant with the theory and techniques of traversing, triangulation, spot levelling survey work etc covered by this contract.

4.4 The contractor shall be responsible for the proper execution of the work to such lines and grades as specified in the specification, drawings or as directed by the engineer-in-charge from time to time.

4.5 After arrival of the instruments to site, these shall not be moved out of the site by the contractor without the prior written permission and approval of the engineer-in-charge. In case the instruments are moved out of the site without the prior written permission and approval, the engineer-in-charge/owner reserves the right to deduct from the contractor's bill(s) the amount as considered reasonable and or to withheld the payments for the work done. The decision of the engineer-in-charge in this regard shall be final and binding on the contractor.

5.0 CARRYING OUT AND SETTING UP OF BENCH MARK & REFERENCE PILLARS

5.1 The contractor shall carry out bench mark by fly-levelling from the nearest GTS bench mark or available source as approved by the engineer-in-charge and establish the same on a permanent bench mark to be constructed as per **Fig.1** at a convenient location(s) at site as per the instructions of the engineer-in-charge. All subsequent transfer of levels shall be carried out with respect to this bench mark.

5.2 The work shall also include constructing permanent reference pillars as per **Fig.2** at suitable locations as approved by the engineer-in-charge. These reference pillars shall be labelled permanently with their respective co-ordinates and reduced levels for future use. The bench mark and reference pillars shall be shown on the survey drawings.

5.3 The fly levelling should be carried out using two good quality levels simultaneously. The levelling instruments should always be kept free of collimation error which should be checked and adjusted before start of the work every day. A record of adjustments should be kept in the field book.



**TECHNICAL SPECIFICATION FOR
TOPOGRAPHICAL SURVEY OF 2 X 660MW
DVC RAGHUNATHPUR TPS STAGE-II-
EPC PROPOSAL**

SPEC. NO.	PE-TS-P14-601-C001		
VOLUME	IIB		
SECTION	D		
REV. NO.	0	DATE	08/05/2023
SHEET	4	OF	11

- 5.4 While carrying bench mark to the project site, levels shall be established on the permanent objects like culverts etc at least on one object in every 500m along the route with adequate description about the objects and levels to be mentioned in the level book/survey report to facilitate locating these objects later on. The route for transferring levels shall follow the existing roads as far as possible and this route shall require the approval of the engineer-in-charge before the commencement of work.
- 5.5 Closing error in levelling should be limited to $12 \sqrt{L}$ mm, where L is the length of the route in km.
- 5.6 Payment shall be made on the basis of shortest length of the said route measured between the original reference bench mark and the bench mark to be established at site.

6.0 TOPOGRAPHICAL SURVEY AND MAPPING

- 6.1 Positions both in plan and elevation of all natural and artificial features of the area like waterways, railway tracks, trees, cultivation, houses/any structure, fences, pucca and kutcha roads including culverts and crossings, foot tracks, other permanent objects like telephone posts and transmission towers etc are to be established and subsequently be shown on survey maps by means of conventional symbols (preferably symbols of Survey of India maps). All earth deposits, depressions, hills and valleys within the area/areas are to be surveyed and plotted on maps by contours. Necessary levelling work of the entire area/ areas are to be surveyed and plotted on maps by establishing horizontal location so that location and sketching of contours for the area/ areas can be done at specified intervals and in specified scales on maps. In case of steep slopes and dense jungle etc where gridding is not possible, the method of survey, contour intervals etc shall be decided by the engineer-in-charge at site. Any unusual condition or formations on the ground, location of rock outcrops and springs/falls etc shall also be noted and plotted on the maps.
- 6.2 The field work shall be done with total station equipment in the following steps.
- i) Establishing horizontal and vertical controls and locating reference grids and bench mark in the area.



**TECHNICAL SPECIFICATION FOR
TOPOGRAPHICAL SURVEY OF 2 X 660MW
DVC RAGHUNATHPUR TPS STAGE-II-
EPC PROPOSAL**

SPEC. NO.	PE-TS-P14-601-C001		
VOLUME	IIB		
SECTION	D		
REV. NO.	0	DATE	08/05/2023
SHEET	5	OF	11

ii) Surveying for establishing spot levels and plotting contours.

iii) Surveying for locating natural and man made details as described earlier.

6.3 The grids for the survey work shall be established in N-S & E-W direction corresponding to magnetic north or the plant north as directed by the engineer-in-charge.

7.0 TRAVERSING

7.1 Triangulation or traversing or a combination of both shall be adopted for the purpose of establishing horizontal control and in order to determine the exact relationship between various existing points on the ground so that surveys required under the present scope of work and in future may be co-related and tied together.

7.2 Total intelligent station instruments should be deployed to achieve the specified accuracy of the work. Proper precautions for avoiding graduation errors, instrumental and personal errors should be scrupulously observed.

7.3 From main traverse/triangulation station, subsidiary stations shall be established at suitable interval to cover the entire area. Level of these stations shall be based on the bench mark established in the survey area. Occupying the main & subsidiary stations, all major details shall be surveyed by total station equipment. Further classification of details if necessary shall be carried out by plane table method.

7.4 The closing error in traverse shall not exceed twenty five thousand (1 in 25000) in terms of length or $L\sqrt{N}$ seconds (total in angular measurement) whichever is less (where L is the least count of the instrument and N is the number of stations).

8.0 CONTOURING

8.1 Contractor shall carry out spot level surveying at an interval of 10m for contouring the area/areas. Levels shall also be taken on all traverse stations and on salient points located at random over the area (ground points). Contours are to be interpolated at 0.5m intervals after the above



**TECHNICAL SPECIFICATION FOR
TOPOGRAPHICAL SURVEY OF 2 X 660MW
DVC RAGHUNATHPUR TPS STAGE-II-
EPC PROPOSAL**

SPEC. NO.	PE-TS-P14-601-C001		
VOLUME	IIB		
SECTION	D		
REV. NO.	0	DATE	08/05/2023
SHEET	6	OF	11

points are plotted. The contours shall not be just interpolated but properly surveyed on the ground so that features falling between the two successive levels are also picked up. Sufficient points properly distributed over the entire area shall be located and levels taken so that accurate contouring can be done. At places of sharp curvature or abrupt change in direction and elevation, points selected shall be close to each other. Salient points on ridge lines and valley lines shall also be measured.

8.2 Cross-section of canal/nallah if any shall be prepared by taking spot levels at 5m interval or less depending upon the site conditions and instructions of the engineer-in-charge. For contouring within reservoirs /ponds sounding technique shall be adopted.

8.3 Levelling operation shall always start from main/subsidiary stations whose levels are based on the bench mark established in the survey area and end on the same.

8.4 Closing error in levelling shall not exceed the limit mentioned in clause 5.5.

9.0 CONSTRUCTION OF BENCH MARK, REFERENCE & GRID PILLARS

9.1 Bench marks shall be constructed as per the sketch at **Fig - 1** for each isolated area as per the directions of the engineer-in-charge. The reduced level of the top of hemispherical ball and co-ordinates with respect to survey grid shall be engraved clearly on the top of the bench mark pillar. The top surface of MS plate along with the hemispherical ball shall be painted with anticorrosive paint.

9.2 There shall be one reference pillar constructed within one meter of each bench mark pillar as per the sketch at **Fig - 2**. The relation of these pillars with respect to the bench mark pillar and survey grids should be established and indicated in the drawings. The reduced levels and co-ordinates should be transferred & punched on the top of the steel plate of reference pillars. The top surface of MS plate shall be painted with anticorrosive paint.



**TECHNICAL SPECIFICATION FOR
TOPOGRAPHICAL SURVEY OF 2 X 660MW
DVC RAGHUNATHPUR TPS STAGE-II-
EPC PROPOSAL**

SPEC. NO.	PE-TS-P14-601-C001		
VOLUME	IIB		
SECTION	D		
REV. NO.	0	DATE	08/05/2023
SHEET	7	OF	11

- 9.3 Grid pillars as per the enclosed sketch at **Fig - 2** shall be constructed at the intersection of the 100m grid lines which should be established at site in N-S and E-W direction corresponding to magnetic north or plant north or as directed by the engineer-in-charge and their co-ordinates with reference to the survey grids shall be engraved on the top of the pillars. The top surface of MS plate shall be painted with anticorrosive paint. The pillars should be white washed.
- 9.4 The payment shall be made on the number of bench mark and reference/grid pillars actually constructed at site as per the directions of the engineer-in-charge.
- 9.5 Route Survey shall be conducted along a narrow strip/belt of the terrain selected after field reconnaissance or as directed by Owner/Engineer at Site. Topographical survey for existing storm drainage lines as well as for routing pipe lines, transportation and communication lines, etc. shall be conducted. Longitudinal profiles as well as cross-sections shall be taken at 50 m intervals or less in nearly flat/undulating terrains and at 20 m intervals in hilly terrains, as per direction of the Owner/Engineer. All cross-sections shall be with reference to centre line of corridor showing levels at every 2 - 5 metre intervals and all breaks in the profile. The width of strip/corridor shall be as specified in the drawing or as directed by Owner/Engineer.
- 10.0 PROGRESS REPORT**
- 10.1 The contractor shall prepare and submit progress report in three copies every week to the engineer-in-charge without fail indicating status of setting out of the grids, total area surveyed, grid pillars constructed, methodology adopted for surveying and instruments deployed including staff working on the site and difficulties encountered during execution of the work etc.
- 10.2 The submission of such reports and review thereof by the engineer-in-charge shall not be deemed to absolve the contractor of his responsibility of timely completion of the assignment as per the time schedule indicated.



**TECHNICAL SPECIFICATION FOR
TOPOGRAPHICAL SURVEY OF 2 X 660MW
DVC RAGHUNATHPUR TPS STAGE-II-
EPC PROPOSAL**

SPEC. NO.	PE-TS-P14-601-C001		
VOLUME	IIB		
SECTION	D		
REV. NO.	0	DATE	08/05/2023
SHEET	8	OF	11

11.0 PREPARATION & SUBMISSION OF SURVEY MAPS

- 11.1 The contractor shall submit survey maps of the site in 1:1000 scale indicating grid lines and contour lines, demarcating all permanent features like roads, railways, waterways, buildings, power lines, natural streams, trees etc. Project area should have two originals, one showing spot levels and contours (with contour line interval of 0.5m) with grid lines and other with grid lines, contour lines and permanent features.
- 11.2 All the maps should be prepared in digitised forms using Inkjet/Pen plotter and standard computer software like Autocad - 12/13/14 or auto civil on standard A-0 size polyester base film. The block of name plate of all the drawings should be as per BHEL standard.
- 11.3 The contractor shall submit three copies of all the maps for review and approval of the engineer-in-charge. After approval, 6(six) prints of all the final maps along with a set of the originals on polyester base film and a CD shall be submitted. Copies of the maps shall be submitted in proper flappers and original polyester base drawings should be handed over in proper card board covers indicating index of drawings.
- 11.4 Payment shall be made on the area actually surveyed as covered by the plan.

12.0 SUBMISSION OF FIELD DATA AND REPORT

- 12.1 Contractor shall submit all data pertaining to the survey in original to the engineer-in-charge.
- 12.2 All field data shall be submitted to the engineer-in-charge from time to time as per progress of the work.
- 12.3 Three copies of draft report shall be submitted on the completion of the field work for review and approval of the engineer-in-charge. The report should give the introduction of the site, methodology adopted for surveying the areas, calculation of errors, transfer of bench mark and any other calculation required for surveying and preparation of the survey maps.



**TECHNICAL SPECIFICATION FOR
TOPOGRAPHICAL SURVEY OF 2 X 660MW
DVC RAGHUNATHPUR TPS STAGE-II-
EPC PROPOSAL**

SPEC. NO.	PE-TS-P14-601-C001		
VOLUME	IIB		
SECTION	D		
REV. NO.	0	DATE	08/05/2023
SHEET	9	OF	11

12.4 Details of trees with their name, numbers and girths shall also form part of the survey report.

12.5 The survey report should also cover the following.

- General site observation such as location of access roads, river and nallah courses, irrigation canals etc.
- Presence of any well and /or tube well in the site and water level in them shall also be indicated.
- Whether there is any rock outcrops in the site.
- Existing drainage pattern of the site, possibility of water logging and high flood level of the area.

12.6 Final survey report shall be submitted in 6 copies of standard A4 size sheets properly bound and printed using good quality paper and material.

13.0 CLEARANCE OF JUNGLES AND CUTTING OF TREES

Clearance of jungles and cutting of trees as required to facilitate the survey work also form part of the contract. Necessary permission of concerned public bodies shall be secured by the owner. The contractor shall ensure that minimum amount of jungles are cleared and trees are properly cut under the direction of public bodies. The trees and jungles as cleared shall be stacked and handed over to the engineer-in-charge/owner. No extra payment is admissible under this account.

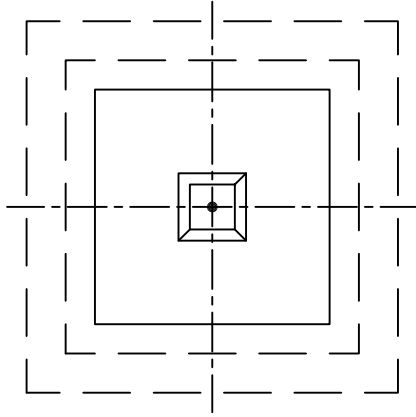
14.0 INSPECTION

The contractor shall make all arrangements of men, material, instruments, surveyors, necessary records and field data etc at the work site for checking of the work to the satisfaction of the engineer-in-charge or his authorised representative during the progress and on successful completion of the work. The contractor shall intimate well in advance before final decamping from work site so that the final work can be inspected by the engineer-in-charge. This will form a part of acceptance of the work for release of payments.

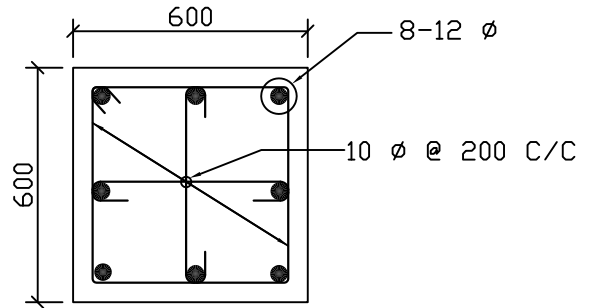


**TECHNICAL SPECIFICATION
FOR
TOPOGRAPHICAL SURVEY OF
2X660 MW DVC RAGHUNATHPUR TPS**

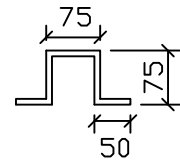
SPEC. NO. PE-TS-P14-601-C001
VOLUME IIB
SECTION D
REV. NO. 0 DATE 08.05.2023
SHEET 10 OF 11



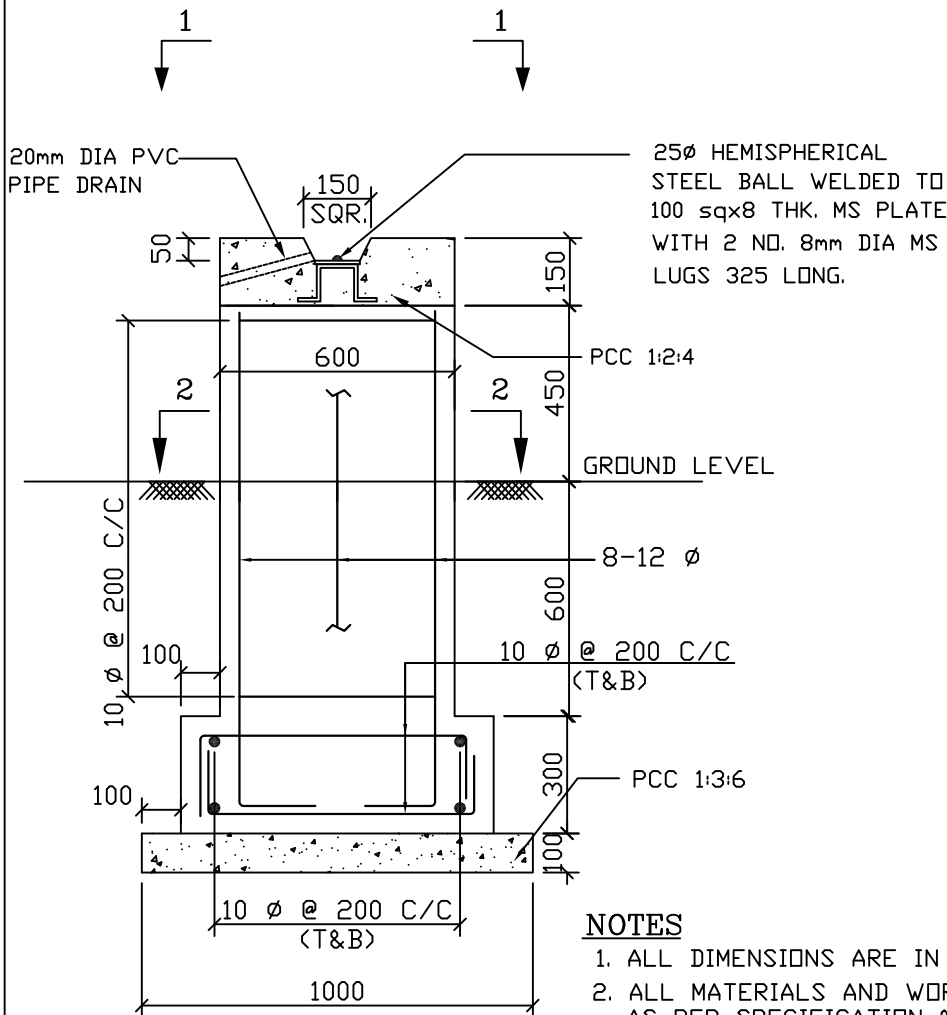
VIEW 1-1



SECTION 2-2



LUG DETAILS



**FIG. 1
BENCH MARK PILLAR**

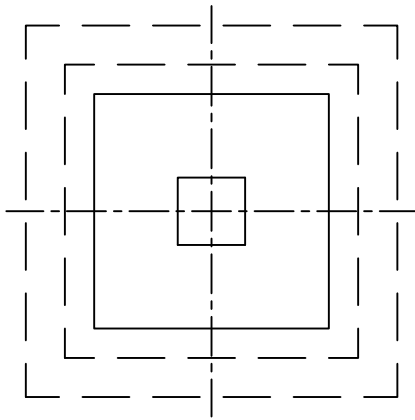
NOTES

1. ALL DIMENSIONS ARE IN MM
2. ALL MATERIALS AND WORKMANSHIP SHALL BE AS PER SPECIFICATION & RELEVANT IS CODES.
3. GRADE OF CONCRETE SHALL BE M25.
4. REINFORCEMENT STEEL SHALL BE TMT BAR OF Fe500 GRADE.

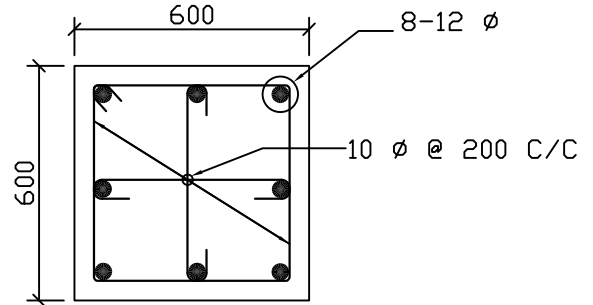


**TECHNICAL SPECIFICATION
FOR
TOPOGRAPHICAL SURVEY OF
2X660 MW DVC RAGHUNATHPUR TPS**

SPEC. NO. PE-TS-P14-601-C001	
VOLUME IIB	
SECTION D	
REV. NO. 0	DATE 08.05.2023
SHEET 11 OF 11	



VIEW 3-3



SECTION 4-4

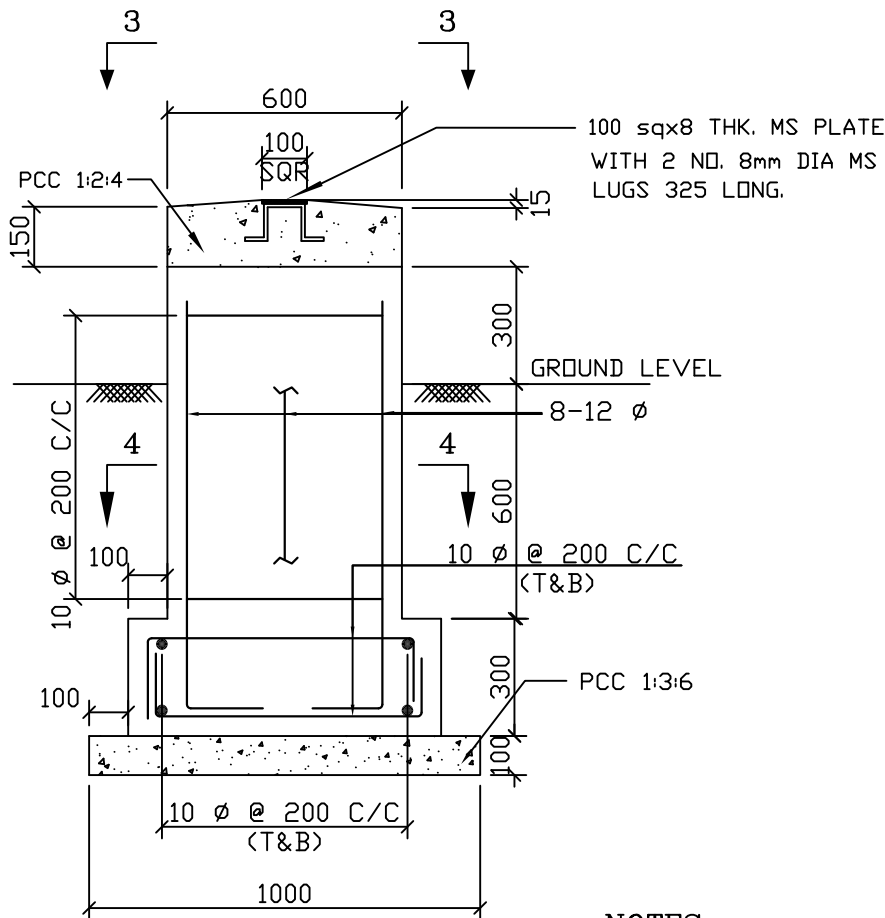
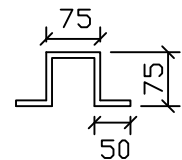


FIG. 2

GRID PILLAR/REFERENCE PILLAR



LUG DETAILS

NOTES

1. ALL DIMENSIONS ARE IN MM
2. ALL MATERIALS AND WORKMANSHIP SHALL BE AS PER SPECIFICATION & RELEVANT IS CODES.
3. GRADE OF CONCRETE SHALL BE M25.
4. REINFORCEMENT STEEL SHALL BE TMT BAR OF Fe500 GRADE.

DATE 08.05.2023

PREPARED BY: VV

CHECKED BY: AKV

APPROVED BY: TMSR