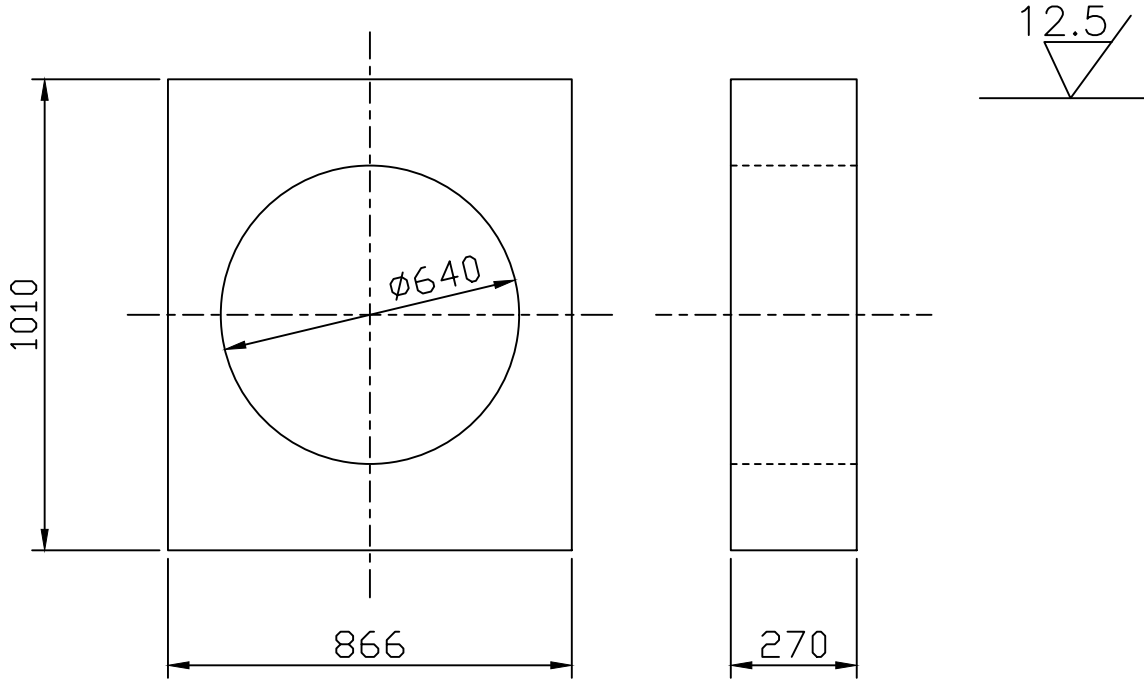


THE INFORMATION ON THIS DOCUMENT IS THE PROPERTY OF BHARAT HEAVY ELECTRICALS LIMITED.
 IT MUST NOT BE USED DIRECTLY OR INDIRECTLY IN ANY WAY DETRIMENTAL TO THE INTEREST OF THE COMPANY.

REV.	DATE	ALTERED	REV.	DATE	ALTERED	REV.	DATE	ALTERED
		CHECKED			CHECKED			CHECKED
		APPROVED			APPROVED			APPROVED



TECHNICAL REQUIREMENTS:

1. DRG. SHOWS THE CASTING IN ROUGH MACHINED CONDITION.
2. SURFACE FINISH OF THE ROUGH MACHINED CASTING TO BE 12.5 MICRONS.
3. FOLLOWING NDT TO BE DONE ON ROUGH M/CED CASTING.
 100% UT AS PER LEVEL-II OF AA0850104
 100% MPI AS PER LEVEL-II OF AA0850134

CASTING			AA19511	01
DESCRIPTION & DRG.NO.	VAR NO.	RAW MATERIAL SIZE OR CASTING DRG.NO. OR FORGING DRG.NO.	MATL. CODE	NET.WT. GROSS WT
			MATL. SPECN.	QTY.

TYPE OF PRODUCT OR NAME OF CUSTOMER/PROJECT

REF. TO HY0230261 FOR UNSPECIFIED TOLERANCES.	BHARAT HEAVY ELECTRICALS LTD. HYDERABAD	DRN.	BGK	16.06.22	NO.OF VAR.	
		CKD.	MANIVAS	16.06.22		
		APPD.	MAHESH	16.06.22		
	DEPT. PULV. ENGG	SCALE NTS	WEIGHT(K.G.)	1172	REF.TO ASSY.DRG.	ITEM NO.
CODE 446						
TITLE		DRAWING NO.			REV.	
TRUNNION HOUSING		4-61-989-04039			00	
		SHT.NO.	1	NO.OF SHT.	1	