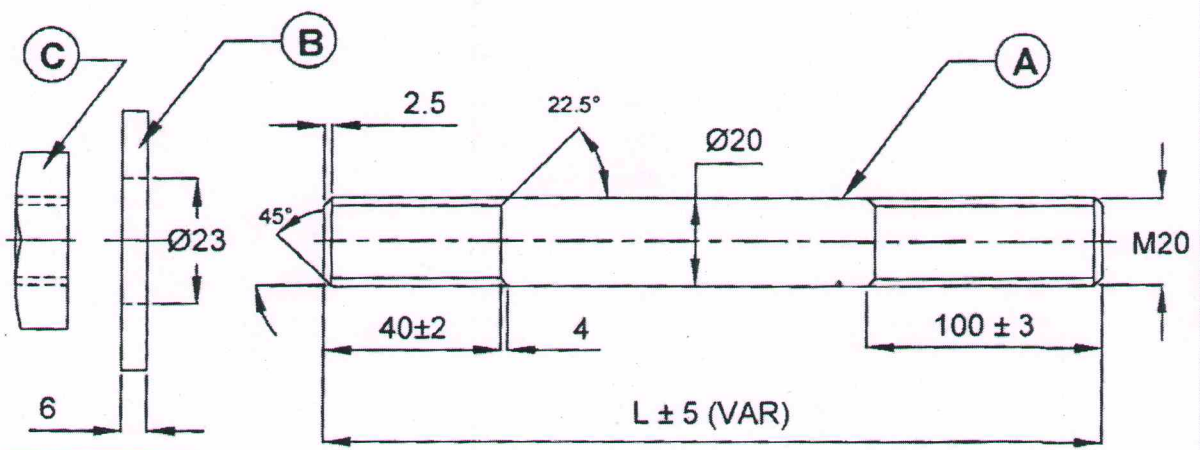


FIRST ANGLE PROJECTION

(ALL DIMENSIONS ARE IN mm)

THE INFORMATION ON THIS DOCUMENT IS THE PROPERTY OF BHARAT HEAVY ELECTRICALS LIMITED IT MUST NOT BE USED DIRECTLY OR INDIRECTLY IN ANY WAY DETRIMENTAL TO THE INTEREST OF THE COMPANY

REV. 01	DATE 11.01.13	ALTERED CHECKED	V.L.NATH M.N.A	REV. 02	DATE 07.03.13	ALTERED CHECKED	V.L.NATH ABHINAV	REV. 03	DATE 16.02.22	ALTERED CHECKED	ARPANA ABHINAV
BILL OF MATERIAL CHANGED				BILL OF MATERIAL CHANGED				Var. no. 4 & 5 added.			



5	630
4	430
3	740
2	530
1	500
VAR FOR ITEM 'A'	L

**NOTE:**  
MAINTAIN STRAIGHTNESS WITHIN 1mm OVER ENTIRE LENGTH.

SAP Drawing No.	Rev No.
4-39999-40915	03

ITEM NO	DESCRIPTION	SIZE	RAW MATERIAL SIZE	MATERIAL CODE	NET WT	GROSS WT
C	SQUARE NUT	M20	.....	HY 715 91 60 630	0.0735	.....
				IS : 2585	2	.....
B	SQUARE WASHER	50X50X6	.....	HY 716 10 99 943	0.117	.....
				IS : 5373	2	.....
A	STUD	M20 X 630	Ø20 X 650	AA 102 02 08 104	1.58	1.63
				AA 102 08	1	.....
		M20 X 430	Ø 20 X 450	AA 102 02 08 104	1.08	1.13
				AA 102 08	1	.....
		M20 X 740	Ø20 X 760	AA 102 02 08 104	1.85	1.9
				AA 102 08	1	.....
		M20 X 530	Ø 20 X 550	AA 102 02 08 104	1.33	1.38
				AA 102 08	1	.....
M20 X 500	Ø20 X 520	AA 102 02 08 104	1.25	1.3		
		AA 102 08	1	.....		



**BHARAT HEAVY ELECTRICALS LTD.**  
HYDERABAD

NAME	SIGNATURE	DATE	NO. OF VAR.
DRN. V.L.NATH			
CHD. ABHINAV			-NA-
APPD. M.N.A			

DEPT. F&P	UNTOL. DIM GR C/M/F	SCALE N.T.S	WEIGHT(KG)	REF. TO ASSY DRG -NA-	ITEM NO. -NA-	NO. OF ITEMS -NA-
CODE 204A						

TITLE <b>STUD</b> (FOR MOULDING BOXES OF HI-Cr LINERS)	CARD CODE -NA-	DRAWING NO. <b>4-04-915</b>	REV. <b>03</b>
	SHT No. 1	NO OF SHT 1	

RESTRICTED DRAWING

SIGN. AND DATE REF. DRG. NO INVENTORY NO

GENERAL DIMENSIONAL LIMITS, FITS & TOLERANCES AS PER P.S.:HYO230261