

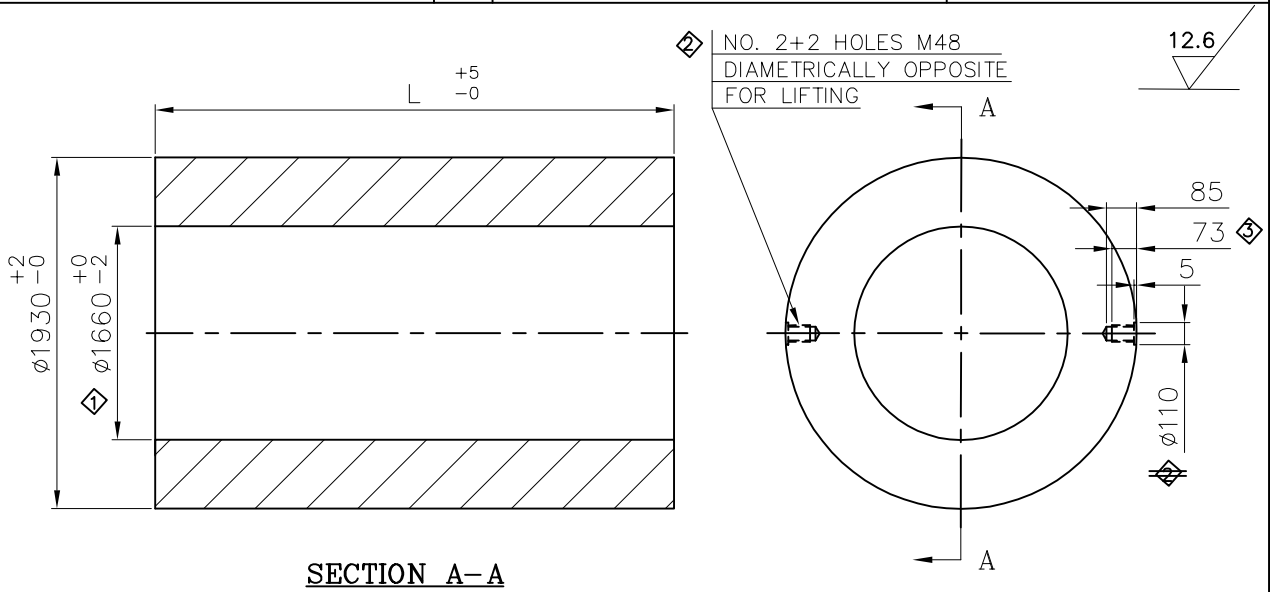
FIRST ANGLE PROJECTION

(ALL DIMENSIONS ARE IN mm)

THE INFORMATION ON THIS DOCUMENT IS THE PROPERTY OF BHARAT HEAVY ELECTRICALS LIMITED
 IT MUST NOT BE USED DIRECTLY OR INDIRECTLY IN ANY WAY DETRIMENTAL TO THE INTEREST OF THE COMPANY
 COMPUTER FILE NAME 143310620037-S00-R00.DWG
 SIGN. AND DATE
 INVENTORY NO

| | | | | | | | | |
|--|---------------|------------------------|-------------------------------|---------------|--------------------------|-------------------------------------|---------------|-----------------------------|
| REV. 01 | DATE 01.09.18 | ALTERED PV CHECKED KVS | REV. 02 | DATE 04.09.18 | ALTERED PV CHECKED KVS | REV. 04 | DATE 07.07.22 | ALTERED: HARI CHECKED: NEMA |
| DIMENSION LINE REPRESENTATION CORRECTED. | | | SPOT FACE DIMENSION IS ADDED. | | | VAR TABLE ADDED | | |
| | | | REV. 03 | DATE 31.05.22 | ALTERED KVS CHECKED YVRL | REV. 05 | DATE 12.9.22 | ALTERED: HARI CHECKED: DILP |
| | | | LIFTING HOLE SIZE REVISED | | | FOR VAR 01. MATERIAL CODE CORRECTED | | |

GEN. DIM. LIMITS, FITS, & TOLERANCES AS PER P.S :- HY0230261




SECTION A-A

| Var. | L | Wt.(Kg) | MTL CODE |
|------|------|---------|--------------|
| 00 | 3550 | 21250 | TC9416415022 |
| 01 | 3650 | 21500 | TC9416406155 |

NOTES:

1. MATERIAL :HY 193 64
2. COMPONENT IS TO BE SUPPLIED IN NORMALISED,TEMPERED AND ROUGH MACHINED TO DIMENSIONS INDICATED
3. FOR GENERAL SUPPLY CONDITIONS REFER BHEL STD HY 193 64
4. TESTS AND INSPECTION REPORTS DULY ATTESTED BY TPI SHALL BE FURNISHED

| | | | | | | | | |
|---|------------------|-------------|------------|-------------------|-----------------------|-------------|----------|------------|
| REMARKS | ITEM NO | DESCRIPTION | STD | MATL. CODE | A/C | UNIT | UNIT Wt. | QTY. |
|  BHARAT HEAVY ELECTRICALS LIMITED HYDERABAD | | | DRN. | PV | | | 15.06.08 | NO.OF VAR. |
| | | | CHD. | KVS | | | 19.06.08 | |
| | | | APPD. | NEMA | | | 19.06.08 | |
| DEPT. COMP | UN.TOL. DIM. GR. | SCALE | WEIGHT(KG) | REF. TO ASSY DRG. | ITEM NO. | NO.OF ITEMS | | |
| 420 | C/M/F | NTS | AS ABOVE | | NA | NA | | |
| TITLE | | | | CARD CODE | DRAWING NO. | REV. | | |
| CASING FORGING | | | | | 4-331-06-20058 | 05 | | |
| | | | | SHT No. | 1 | NO OF SHT. | 1 | |