

(~1.6)

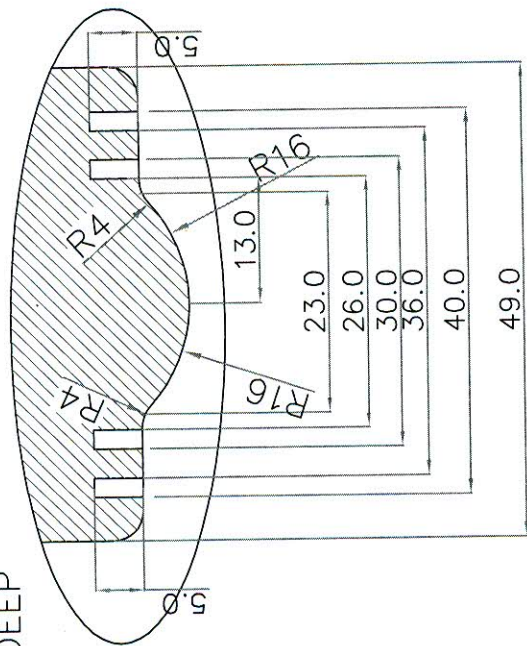
(ALL DIMENSIONS ARE IN mm)

FIRST ANGLE PROJECTION

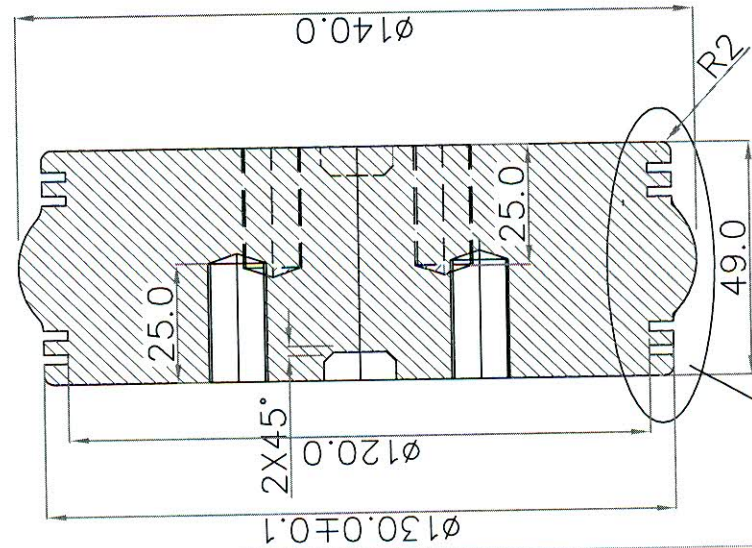
DRG. NO. 052000611A

THE INFORMATION ON THIS DOCUMENT IS THE PROPERTY OF BHARAT HEAVY ELECTRICALS LIMITED. IT MUST NOT BE USED DIRECTLY OR INDIRECTLY IN ANY WAY DETRIMENTAL TO THE INTEREST OF THE COMPANY.

Ø15.0, 6.0 DEEP



DETAIL 'A'



REFER DETAIL 'A'

4 NO., M12 TAPS @ 50.0 PCD ON EITHER SIDE WITH 45° ANGULAR SHIFT

REV.	DATE	ALTERED	DATE	ALTERED	REMARKS	VAR. NO.	ITEM NO.	DESCRIPTION	IT. NO.	DRAWING NO.	UNIT WT.	QTY.

TYPE OF PRODUCT		NAME OF CUSTOMER		SIGN.		DATE		NO. OF VAR.	
GSM-400		BHARAT HEAVY ELECTRICALS LTD.							
DEPT.		GRADE OF TOL. DIM. C/M/P		SCALE		WEIGHT(KG)		REF. TO	
HT INSERT		HYDERABAD		1:1		052000610		052000610	
TITLE		CARD CODE		DRAWING NO.		SHEET NO.		NO. OF SHEETS	
HT INSERT-I		052000611A		052000611A		1		2	

1. ALL SHARP EDGES SHALL BE MACHINED TO 0.4x45°.
2. COMPONENT SHALL BE SILVER PLATED TO 10 TO 12 MICRONS.

REF. DRG. NO.	SIGN. AND DATE	INVENTORY NO.
---------------	----------------	---------------

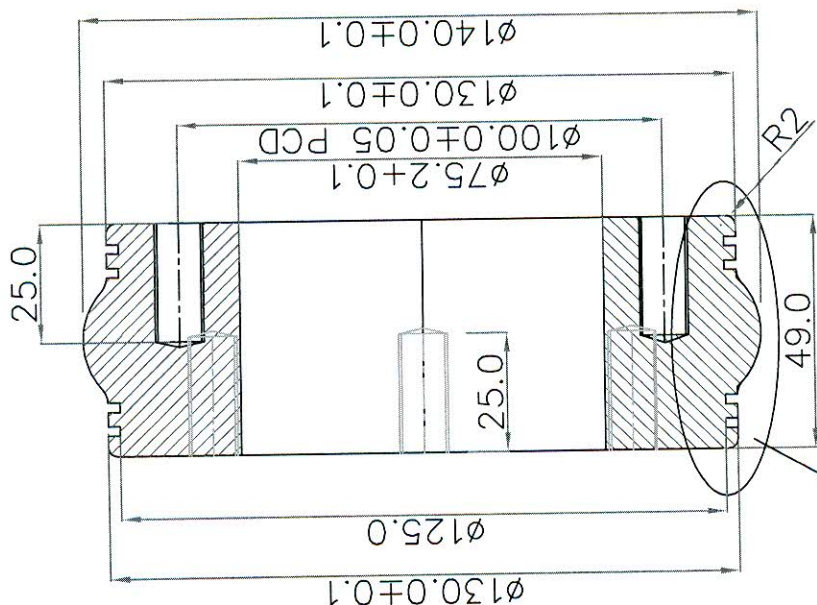
(~1.6)

(ALL DIMENSIONS ARE IN mm)

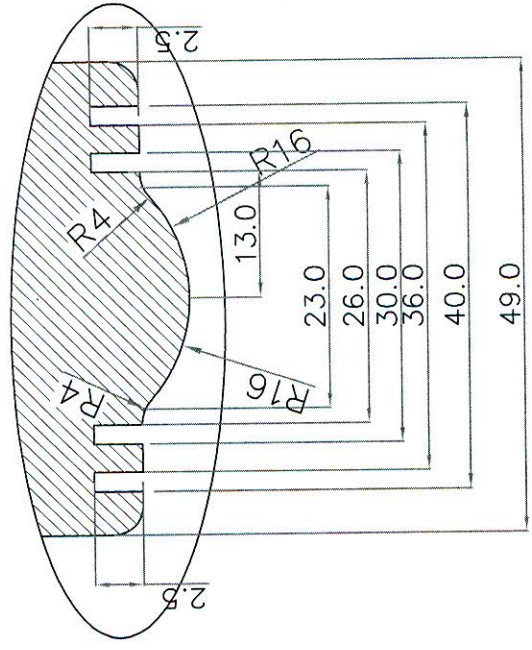
FIRST ANGLE PROJECTION

052000611B ON 590

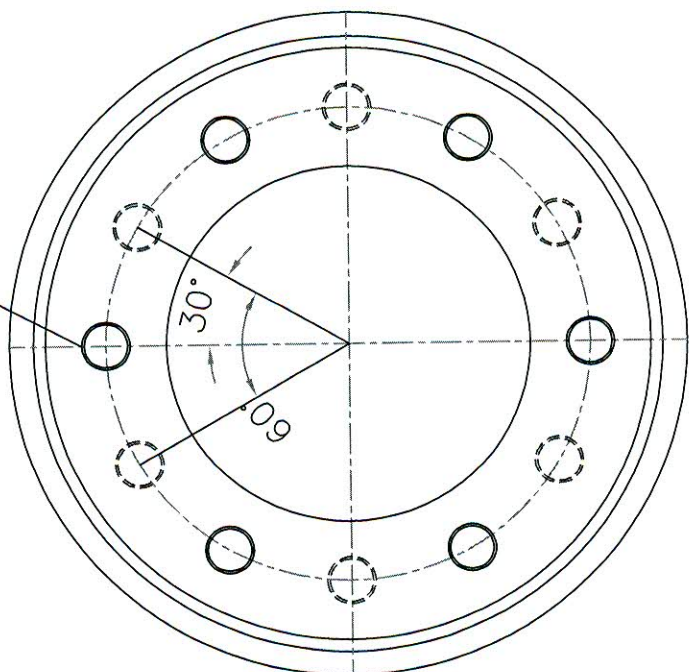
6 No. M10 TAPS, 25.0 DEEP @ 100 PCD ON EITHER SIDE OF INSERT



REFER DETAIL 'A'



DETAIL 'A'



REV.	DATE	ALTERED	CHECKED	ZONE	REV.	DATE	ALTERED	CHECKED	ZONE

VAR. NO.	ITEM NO.	REMARKS	DESCRIPTION	DRAWING NO.	IT. NO.	MATL. CODE	MATL. SPECN.	UNIT WT.	QTY.

TYPE OF PRODUCT	NAME OF CUSTOMER	DRN	NAME	SIGN.	DATE	NO. OF VAR.
GSM-400	BHARAT HEAVY ELECTRICALS LTD. HYDERABAD					

DEPT. CODE	GRADE OF TOL. DIM. C/M/F	SCALE	WEIGHT(KG)	REF. TO	ITEM NO.	NO. OF ITEMS
					052000610	1

TITLE	CARD CODE	DRAWING NO.	REV.
HT INSERT-II		052000611B	1

1. ALL SHARP EDGES SHALL BE MACHINED TO 0.4x45°.
2. COMPONENT SHALL BE SILVER PLATED TO 10 TO 12 MICRONS.

THE INFORMATION ON THIS DOCUMENT IS THE PROPERTY OF BHARAT HEAVY ELECTRICALS LIMITED. IT MUST NOT BE USED DIRECTLY OR INDIRECTLY IN ANY WAY DETRIMENTAL TO THE INTEREST OF THE COMPANY.

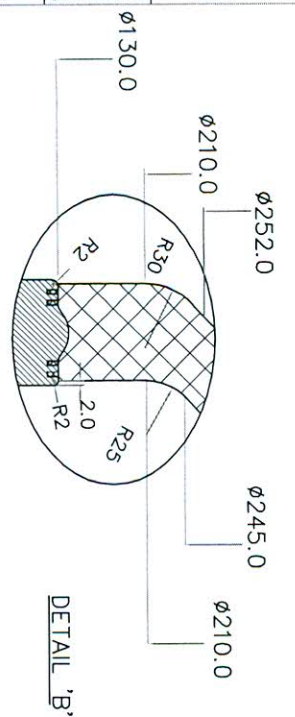
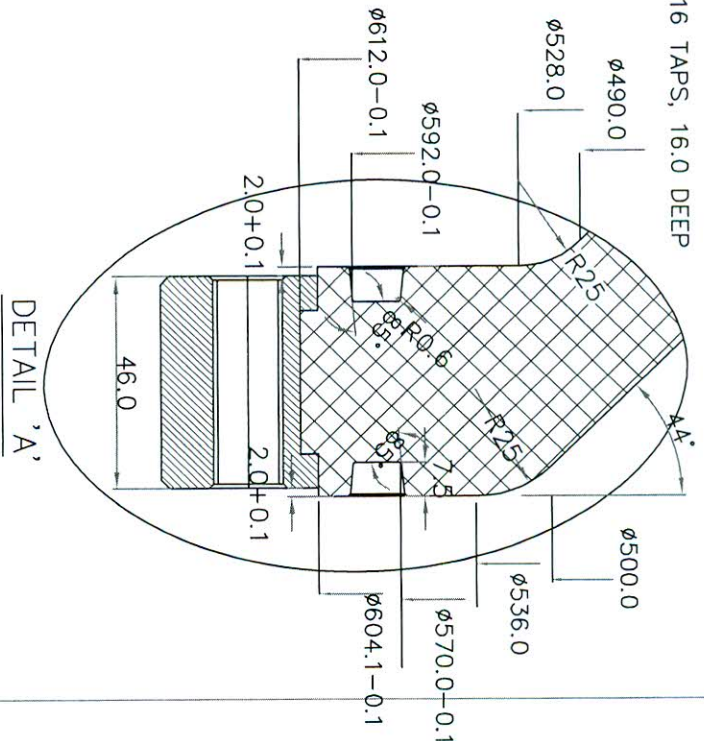
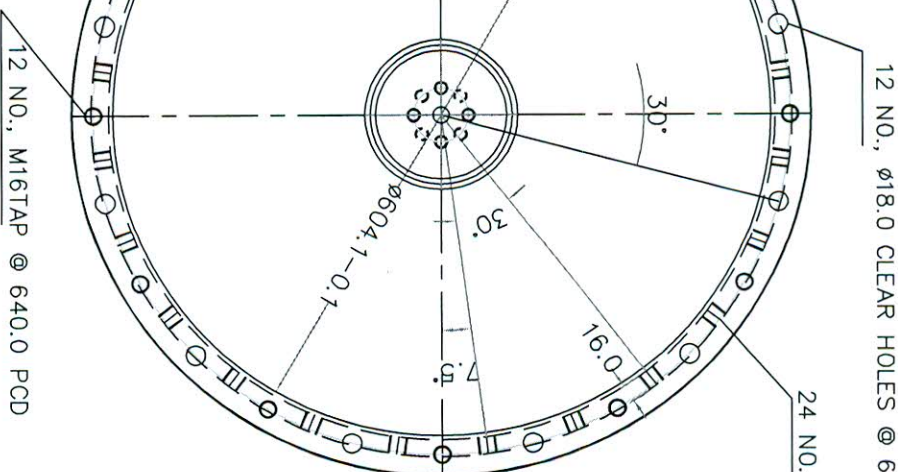
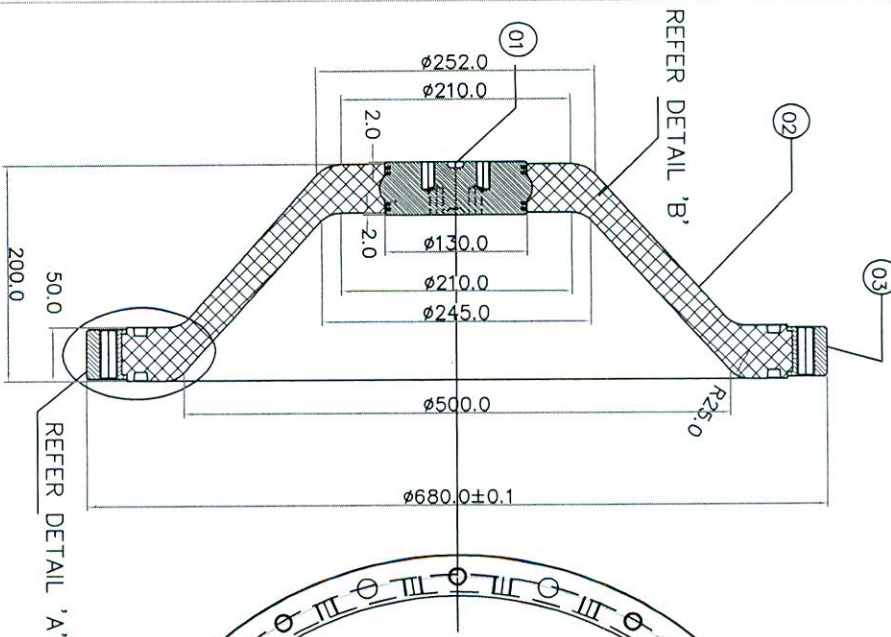
00190000750

ON SHEET

FIRST ANGLE PROJECTION

(ALL DIMENSIONS ARE IN mm)

(~3.2)



INVENTORY NO.	SIGN. AND DATE	REF. DRG. NO.
---------------	----------------	---------------

REV.	DATE	ALTERED	CHECKED	ZONE

REV.	DATE	ALTERED	CHECKED	ZONE

VAR. NO.	REMARKS	VAR. NO.	ITEM NO.	DESCRIPTION	QTY.	DRAWING NO.	TNO.	MATL. CODE	MATL. SPECN.	UNIT	WGT.	QTY.	ZONE
02	2. INSERT	052000051	01	HT INSERT-I	1	052000051	HT	HT	HT	1	1	1	

TYPE OF PRODUCT	GSM-400
NAME OF CUSTOMER	BHARAT HEAVY ELECTRICALS LTD. HYDERABAD
DEPT.	
GRADE OF	
TOL. DIM.	
C/M/P	
SCALE	
WEIGHT(KG)	
DRI	
IND	
APPD	
REF. TO	
DATE	
SIGN.	
NO. OF	
VAR.	

TITLE	EPOXY INSULATOR-I
CARD CODE	0520000600
DRAWING NO.	052000060A
SHEET NO.	1
NO. OF SHEETS	1