

FIRST ANGLE PROJECTION

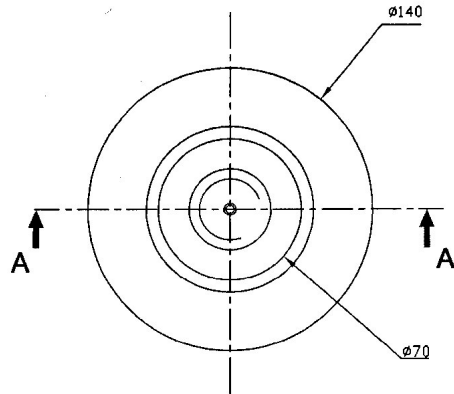
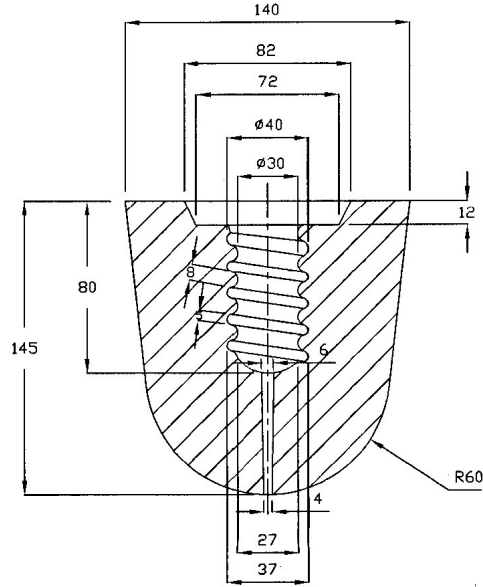
(ALL DIMENSIONS ARE IN mm)

SIGN. AND DATE REF. DRG. NO. COMPUTER FILE NAME THE INFORMATION ON THIS DOCUMENT IS THE PROPERTY OF BHARAT HEAVY ELECTRICALS LIMITED. IT MUST NOT BE USED DIRECTLY OR INDIRECTLY IN ANY WAY DETRIMENTAL TO THE INTEREST OF THE COMPANY

DRG. NO. SH. 1 OF 1

GENERAL DIMENSIONAL LIMITS, FITS & TOLERANCES AS PER HY0230261


SECTION A-A




SAP DRAWING NO	REV NO
3-39999-40912	00

MATERIAL : HIGH ALUMINA GRAPHITE
 Al_2O_3 60% (Min)

TYPE OF PRODUCT OR
 NAME OF CUSTOMER/PROJECT

 BHARAT HEAVY ELECTRICALS LTD. HYDERABAD	NAME	SIGN.	DATE	NO. OF VAR.
	DRN. V.L.NATH	<i>[Signature]</i>	02.04.11	
	CHD. ABHINAV	<i>[Signature]</i>	02.04.11	-NA-
APPD. M.N.A	<i>[Signature]</i>	02.04.11		

REV.	DATE	ALTERED	REV.	DATE	ALTERED	REV.	DATE	ALTERED
		CHD/APPD			CHD/APPD			CHD/APPD
ZONE			ZONE			ZONE		

DEPT. F&P	UNTO. DIMS. GR. 2/M/8		SCALE N.T.S	WEIGHT (KG) 2.8	REF. TO ASSY. DRG. -NA-	ITEM NO. -NA-	NO. OF ITEMS -NA-
CODE 204A	TITLE STOPPER HEAD (FOR 12T B.P LADDLE)			CARD CODE -NA-	DRAWING NO. 3-04-912	REV. 00	
SHT. No 1		NO. OF SHT. 1					