



BHARAT HEAVY ELECTRICALS LIMITED
CORPORATE RESEARCH & DEVELOPMENT DIVISION
VIKASNAGAR, HYDERABAD - 500 093, INDIA

PHONES:23774494 (EXT:9804)

FAX : 91 40 23770698

RD:DP:MPX:F-04

ENQUIRY

Ref: 292300291

Date 20-06-2023

To

OFFICE COPY

Enquiry for **Modification of EM damper**

Enquiry No:292300291 Enquiry Date : 20-06-2023 Due Date: 23-06-2023 Indicative Delivery Date : 31-07-2023

Sl.No	Item Description	Unit	Qty
1	Modification of EM damper as per specification EMC/EM/M-01/Rev 00 dated 17.05.2023	NO	1

Please submit your quotation for the above material in sealed cover superscribed with enquiry no, enquiry date and due date subject to our enclosed terms and conditions. The quotations shall reach us on or before the due date by 12 noon. The tenders can also be dropped in the tender box kept at the security gate,BHEL R&D. In case you are not in position to submit the offer,please send reply suitably specifying the reasons.

Sl.No	Description	Document Ref.
01	Enquiry, PQC, General Terms & Conditions, Commercial Terms & Conditions etc.	Volume - 1
02	Technical specifications, Scope of Supply etc.	Volume - 2

Sl.No Vendor Name and code


1

Panatula Sasidhar
Sr Engineer
sasi@bhel.in

	ENQUIRY & QUALIFYING CRITERIA	Volume - 1 Enquiry No 292300291
Modification of EM damper		


1	Tendor inviting officer / Authority, Designation and Address	Additional General Manager(MM) BHEL R & D, Vikas Nagar (Near Balanagar), Hyderabad -500093
2	Item Description - Qty	1) Modification of EM damper as per specification EMC/EM/M-01/Rev 00 dated 17.05.2023 - 1 NO
3	Enquiry Reference no.	292300291
4	Indicative Delivery Date	31-07-2023
5	Due date, Time and place for submission of tender	23-06-2023 upto 12 noon. Sealed Quotations shall be addressed to Additional General Manager(MM), BHEL R & D Division, Vikas Nagar (Near Balanagar), Hyderabad AP,India Pin - 500 093 Quotations can also be deposited in the Tender box located at Security Gate of BHEL R & D BHEL shall not be responsible for any postal/courier delay.
6	Place, Date and time of Tech.Bid opening	Tender Opening Cell (Sangam) BHEL R & D Office. 23-06-2023, 2 PM
7	Mode of Submission of	<p>Please submit your offer in one common sealed cover containing two parts in separate sealed covers as detailed below.</p> <p>1) First Cover shall contain:</p> <ol style="list-style-type: none"> Signed General Terms & Conditions (GTC) Filled and Signed Commercial Terms & Conditions (CTC) Filled and Signed Vendor Specifications against BHEL Specifications (Item wise) Signed commercial bid Copy of Price-bid with price(s) cells blank (un-priced price bid) as per annexure <p>2) Second cover shall contain Price Bid Containing Price quotes, applicable taxes, installation and/or commissioning charges shall be spelt out clearly taking into account total charges rather than quoting vaguely such as charges per man-day or charges per engineer per day etc as per annexure.</p> <p>If the price bid was found later to be different from the unpriced pricebid format in any way, the offer will be rejected summarily. The rates shall be quoted both in figures and in words.</p> <p>The offers can also be submitted through e-mail and have to be sent in PDF format (files with PDF extension only). Files having extensions other than PDF like RAR, EXE, JPEG etc. and with</p>

	Tender	<p>external links will not be considered. They have to be sent to e-mail id: 'rnd-eoffers@bhel.in' only. Copies should not be marked to anyone. If the offers are marked to anyone other than to eoffers, their offer will not be considered.</p> <p>The e-mail offers should have two attachments.</p> <p>1) One attachment shall contain</p> <ul style="list-style-type: none">a. Signed General Terms & Conditions (GTC)b. Filled and Signed Commercial Terms & Conditions (CTC)c. Filled and Signed Vendor Specifications against BHEL Specifications (Item wise)d. Signed commercial bide. Copy of Price-bid with price(s) cells blank (un-priced price bid), as per annexure <p>2) Second attachment shall contain Price Bid Containing Price quotes, applicable taxes, installation and/or commissioning charges shall be spelt out clearly taking into account total charges rather than quoting vaguely such as charges per man-day or charges per engineer per day etc as per annexure.</p> <p>The subject of the e-mail should contain Enquiry No, Enquiry Date and Due date.</p>
--	--------	--

	PRE QUALIFYING CRITERIA(PQC)	Volume - 1 Enquiry No 292300291
Modification of EM damper		

SL.No.	Clause	BHEL REQUIREMENT	SUPPLIERS ACCEPTANCE / REMARKS
1	Experience	Vendor shall submit at least one PO copy of machining works received from any government/PSU organization during last five years from date of enquiry.	
2	Turnover	Average annual financial turnover during last three years ending 31st March of previous financial year should be at least 1.32 lakhs. Bidder has to submit audited financial statement of last three year/CA certified turnover copy or Form 26AS (if books are not auditable).	
3			
4			
	Relaxation of Norms for Startups	The condition of Prior Turnover and prior experience is relaxed for all startups whether Micro & Small Enterprises (MSEs) or otherwise subject to meeting of quality and technical specifications in accordance with the relevant provision of GFR,2005 and other DOE-PPD notifications for relaxation norms for startups issued from time to time.	

Signature of the bidder with Seal & Date

	GENERAL TERMS & CONDITIONS (GTC)	Volume - 1 Enquiry No 292300291
Modification of EM damper		

SL.No.	Clause	BHEL REQUIREMENT
1	Preferences to MSEs	<p>The bidder may also be a Micro and Small Enterprises (MSE) vendor registered as per MSE act. As per the public procurement policy notified by the Central government.</p> <p>25% of the tendered quantity is earmarked for MSE suppliers in this tender. Out of the 25% tendered quantity reserved for MSE suppliers, 6.25% shall be earmarked for procurement from MSE owned by SC / ST entrepreneurs. Also 3% shall be earmarked for procurement from MSE owned by women.</p> <p>The definition of MSEs owned by women Entrepreneurs is clarified as under:</p> <ol style="list-style-type: none"> i. In case of proprietary MSE, Proprietor shall be woman ii. In case of partnership MSE, the women partners shall be holding at least 51% share in the unit. iii. In case of private limited companies, at least 51% shall be held by Women Promoters. <p>(Such enterprise will have to submit relevant document for proof of women ownership during offer submission)</p> <p>In case MSE vendor participating in the tender quotes within the price band of L1 + 15%, they will be allowed to supply the portion of the requirement subject to acceptance of L1 price by MSE vendor. In case of more than one such MSE, the supply shall be shared proportionately.</p> <p>"MSE suppliers can avail the intended benefits only if they submit along with the offer, attested copies of either EM II certificate having deemed validity (five years from the date of issue of acknowledgement in EM, II) or valid NSIC certificate or EM II certificate with due validity or Udyog Aadhar Number along with attested copy of a CA certificate (where deemed validity of EM II certificate of five years has expired) applicable for the relevant financial year (latest audited). Date to be reckoned for determining the deemed validity will be the date of bid opening (Part 1 in case of two part bid).</p> <p>Non submission of such documents will lead to consideration of their bid at par with other bidders. In case any improper / lack of documents is there vendor on their own interest may submit all the relevant documents as stated above, before tender opening. No benefit shall be applicable for this enquiry if any deficiencies in the above required documents are not submitted before tender opening. Documents should be notarized or attested by a Gazetted officer for consideration of MSE certificate. "</p> <p>Such Micro/Small Enterprises registered vendors must state the sub-category to which they belong and submit documentary proof for the same.</p> <p>The sub-categories:</p> <ol style="list-style-type: none"> (a) Enterprises owned by Scheduled Castes. (b) Enterprises owned by Scheduled Tribes.

		<p>(c) Enterprises owned by other than above two categories</p> <p>The enterprises under (a) & (b) means the proprietor in case of single owned firm and all partners in case of partnership firm and all directors in case of private/public limited must belong to SC/ST category (Such enterprise will have to submit relevant document for proof of SC/ST category during offer submission) (Note: vendor need to go through General note Of tender condition also for any special instruction & deviation from above.)</p> <p>If more than one valid MSE supplier stands with in rage of L1+15% range, 25% of quantity will be shared till quantity split is feasible & rest of 25% will be awarded to lowest quote of valid MSE supplier.</p>
2	Preference to Make in India	<p>For this procurement, the local content to categorize a supplier as a Class 1 Local supplier / Class II Local supplier/ Non-Local supplier and purchase preference to Class 1 Local supplier, is as defined in Public Procurement (preference to Make in India), Order 2017 dated 04.06.2020 issued by DPIIT.</p> <p>In case of subsequent orders issued by the nodal ministry, changing the definition of local content for the items of the NIT, the same shall be applicable even if issued after issue of this NIT, but before opening of Part-II bids against this NIT</p>
3	Details required with offer	<p>Following documents to be submitted by Bidders along with offer:</p> <ol style="list-style-type: none"> PAN Number GSTIN Registration Status Name of the Contact Person Contact Phone / Mobile Email id for correspondence Address with PIN code and State
4	GST Clause	<ol style="list-style-type: none"> Taxes and duties to be governed by GST acts. Strict adherence to new provisions by the vendors like timely submission of invoices, tax payment, filing of returns-GSTR-I etc. will form base of new regime for release of payment from BHEL. Hence, any financial loss occurred due to non-compliance of the GST provisions would be endured at defaulter's end. In case GST credit is delayed/ denied to BHEL due to non/delayed receipt of goods and/or tax invoice or expiry of time line prescribed in GST law for availing such ITC, or any other reasons not attributable to BHEL, GST amount shall be recoverable from vendor along with interest levied/leviable on BHEL. In case vendor delays declaring such invoice in his return and GST credit availed by BHEL is denied or reversed subsequently as per GST law, GST amount paid by BHEL towards such ITC reversal as per GST law shall be recoverable from vendor/contractor along with interest levied/leviable on BHEL. Vendor to ensure correct applicability of IGST/CGST/SGST/UTGST based on the Inter / Intra state movement Supply of goods and services or both. d) Taxes and duties prevalent on the contractual delivery date or the actual delivery date (in case of delay) whichever is lower shall be applicable paid. Composition Scheme to be addressed. Vendor shall note that the Invoice has to be raised quoting HSN Code of Goods or Accounting Code of Services or both wherever applicable. Invoice should mention GSTIN of BHEL R&D as mentioned in PO/LO Corporate R&D GST Registration numbers: GST compliant invoice shall mention the GST registration number of Corporate R&D: 36AAACB4146P1ZG Supplier shall mention their GSTN registration number in all their invoices and invoices shall be in the format as specified/prescribed under GST laws. Invoices shall

		<p>necessarily contain Invoice number (in case of multiple numbering system is being followed for billing like SAP invoice no, commercial invoice no etc., then the Invoice No which is linked/uploaded in GSTN network shall be clearly indicated), item description as per PO, Quantity, Rate, Value, applicable taxes with nomenclature (like IGST, SGST, CGST & UTGST) separately, HSN/ SAC Code, etc.</p> <p>8) A declaration to the effect that all tax liability as per GST rules and regulations shall be discharged.</p> <p>9) Wherever E-invoice is applicable, the tax invoice/CN/DN submitted by the vendor must contain the QR code generated in E-invoice portal & IRN</p> <p>10) Vendor shall inform HSN/SAC code and the breakup of the applicable tariff/taxes (CGST/SGST/IGST/UGST) based on from and to locations with individual components in part 1 bid.</p>
5	Cartelization clause	The Bidder declares that they will not enter into any illegal or undisclosed agreement or understanding, whether formal or informal with other Bidder(s). This applies in particular to prices, specifications, certifications, subsidiary contracts, submission or non-submission of bids or any other actions to restrict competitiveness or to introduce cartelization in the bidding process. In case, the Bidder is found having indulged in above activities, suitable action shall be taken by BHEL as per extant policies/guidelines.
6	Force Majeure clause	If at any time during the continuance of the contract the performance in whole or in part by either party of any obligations under the contract is prevented or delayed by reason, of any war, hostilities, acts of the public enemy, civil commotion, sabotage, fires, explosions, epidemics, quarantine, restrictions or acts of GOD (hereinafter referred to as events) and notice of happening of any such events is given by either party to other within twenty one days from the date of occurrence thereof then neither party shall by reason of such events be entitled to terminate the contract. If the performance in whole or part of any obligation under this contract is prevented or delayed by reason of occurrence of such events, then claims for extension of time shall be granted for period considered reasonable by the purchaser subject to prompt notification by the seller to the purchaser the particulars of the events, if required with supporting evidence. Any waiver of time in respect of partial instalment shall not be deemed to be a waiver of time in respect of remaining deliveries
7	Firm Prices	The prices shall be firm for entire period of contract.
8	Restrictions under rule 144 (xi) of the GFR	Submit the Annexure (provided along with enquiry documents) in your company letter head
9	Interest of delayed submission of performance security (CEBG/SD) :	CEBG/SD is to be submitted by the successful vendor within 15 days from the date of order. Bidder agrees to submit performance security required for execution of the contract within the time period mentioned. In case of delay in submission of performance security, enhanced performance security which would include interest (SBI rate + 6%) for the delayed period, shall be submitted by the bidder. Further, if performance security is not submitted till such time the first bill becomes due, the amount of performance security due shall be recovered as per terms defined in NIT/contract, from the bills along with due interest.
		MSE suppliers can avail the intended benefits (Tender documents fee of cost, exemption of EMD) only if they submit along with the offer, attested copies of either valid NSIC certificate or Udyam Registration certificate along with attested copy of a CA certificate (Format enclosed below) applicable for the relevant financial year (latest audited). Date

11	Conflict of Interest among Bidders/ Agents	<p>Bidder in more than one Bid will result in the disqualification of all bids in which the parties are involved. However, this does not limit the inclusion of the components/ sub-assembly/ Assemblies from. one bidding manufacturer in more than one bid; or</p> <p>f) In cases of agents quoting in offshore procurements, on behalf of their principal manufacturers, one agent cannot represent two manufacturers or quote on their behalf in a particular tender enquiry. One manufacturer can also authorise only one agent/dealer. There can be only one bid from the following:</p> <ol style="list-style-type: none"> 1. The principal manufacturer directly or through one Indian agent on his behalf; and 2. Indian/foreign agent on behalf of only one principal, ♦ <p style="text-align: center;">or</p> <p>g) A Bidder or any of its affiliates participated as a consultant in the preparation of the design or technical specifications of the contract that is the subject of the Bid, ♦ or</p> <p>h) In case of a holding company having more than one independently manufacturing units, or more than one unit having common business ownership/management, only one unit should quote. Similar restrictions would apply to closely related sister companies. Bidders must proactively declare such sister/ common business/ management units in same/ similar line of business.</p>
12	Late Tenders	Tenders received after due date/time(12:00hrs) will not be considered
13	Discrepancy in words and figures	<p>(a) If, in the price structure quoted for the required goods/ Services/ works, there is discrepancy between the unit price and the total price (which is obtained by multiplying the unit price by the quantity), the unit price shall prevail and the total price corrected accordingly, unless in the opinion of the purchaser there is an obvious misplacement of the decimal point in the unit price, in which case the total price as quoted shall govern and the unit price corrected accordingly.</p> <p>(b) If there is an error in a total corresponding to the addition or subtraction of subtotals, the subtotals shall prevail and the total shall be corrected; and</p> <p>(c). If there is a discrepancy between words and figures, the amount in words shall prevail, unless the amount expressed in words is related to an arithmetic error, in which case the amount in figures shall prevail subject of (a) and (b) above.</p> <p>(d) If there is such discrepancy in an offer, the same shall be conveyed to the bidder with target date upto which the bidder has to send his acceptance on the above lines and if the bidder does not agree to the decision of the purchaser, the bid is liable to be ignored.</p>
14	Two Part bid clarifications	In the case of Two-part bid, the vendor should furnish technical and commercial clarifications, if any, within stipulated time mentioned, failing which, it will be construed that the vendor is not interested in the tender and BHEL shall not consider the offer for further evaluation.
15	Price Impacts	In the event of any bidder, after finalizing the technical specifications and scope of supply, opting to revise their original bid, they have to submit the Price-Impact only. The Original price bid along with Price-Impact bid shall be opened during price bid opening. Unsolicited price impacts will not be considered.
16	Packing	The supplier shall be responsible for the goods being properly and adequately packed so as to prevent any loss, damage or deterioration during transit.
17	Withdrawal	In case the supplier withdraws their offer before placement of order, BHEL reserves the right not to send next enquiry(ies). In case the supplier withdraws the quotation after its acceptance by BHEL or fails to supply the goods as per the terms and conditions of contract, or at any time repudiated the contract wholly or in part, BHEL shall be at liberty to cancel the Purchase Order and to recover from the supplier the extra cost and other loss,incidentals due to the breach of contract on the part of the supplier through


		risk purchase.
18	Risk Purchase	In case of default/late delivery,BHEL reserves the right to make alternate arrangement for procurement at suppliers risk and cost.
19	Banned List	The offers of the bidders who are in the banned list and the offers of the bidders who engage the services of the banned firms, shall be rejected.The list of banned firms is available on BHEL website www.bhel.com. Guidelines for suspension of business dealings with suppliers/contractors are available on www.bhel.com under supplier registration page
20	Additional Information	Suppliers are requested to visit our web site regularly for any updates and additional information, "All corrigenda, addenda, amendments, time extensions clarifications, etc. to the tender will be hosted on BHEL website only". The corrigendum will not be published in news paper.
21	EMD	Submission of earnest money deposit (EMD) along with offer is required. EMD is to be deposited in cash (as permissible under IT act), or by pay-order/Demand Draft drawn in favour of BHEL R&D-A/c 10202162640,Vikasnagar,Hyderabad 500 093. EMD amount will be returned to all unsuccessful bidders after placement of order. EMD amount shall not carry any interest. EMD by the Tenderer will be forfeited as per NIT conditions, if: i) After opening the tender and within the offer validity period, the tenderer revokes his tender or makes any modification in his tender which is not acceptable to BHEL. ii) The Contractor fails to deposit the required Security deposit or commence the work within the period as per LOI/ Contract. EMD by the tenderer shall be withheld in case any action on the tenderer is envisaged under the provisions of extant "Guidelines on Suspension of business dealings with suppliers/ contractors" and forfeited/ released based on the action as determined under these guidelines. EMD amount is Rs. 10390
22	Security Deposit	Successful bidder shall submit a security deposit at the time of release of order and the amount will not carry any interest. The amount of security deposit will be 5% of the contract value. EMD of the successful tenderer shall be converted and adjusted towards the required amount of security deposit. Modes of Deposit: The balance amount to make up the required Security Deposit of 5% of the contract value may be accepted in the following forms: i) Cash (as permissible under the extant Income Tax Act) ii) Local cheques of Scheduled Banks (subject to realization)/ Pay Order/ Demand Draft/ Electronic Fund Transfer in favour of BHEL R&D A/c 10202162640 iii) Bank Guarantee from Scheduled Banks/ Public Financial Institutions as defined in the Companies Act. The Bank Guarantee format should have the approval of BHEL iv) Fixed Deposit Receipt issued by Scheduled Banks/ Public Financial Institutions as defined in the Companies Act (FDR should be in the name of the Contractor, a/c BHEL) v) Securities available from Indian Post offices such as National Savings Certificates, Kisan Vikas Patras etc. (held in the name of Contractor furnishing the security and duly endorsed/ hypothecated/ pledged, as applicable, in favour of BHEL) (Note: BHEL will not be liable or responsible in any manner for the collection of interest or renewal of the documents or in any other matter connected therewith)

23	Arbitration	Subject to the exclusive jurisdiction of the Medchal, Malkajgiri Courts, Telengana State , India , in respect of any suit or other legal proceedings relating to this contract.
24	Fraud Prevention Policy	The Bidder along with its associate/collaborators/sub-contractors/sub-vendors/consultants/service providers shall strictly adhere to BHEL Fraud Prevention Policy displayed on BHEL website http://www.bhel.com and shall immediately bring to the notice of BHEL Management about any fraud or suspected fraud as soon as it comes to their notice.
25	Signing & Stamping	Documents of BHEL's all Terms and conditions submitted with the offer shall be signed and stamped in each page of authorized representative of the bidder

Documents submitted with the offer shall be signed and stamped in each page of authorized representative of the bidder

Read and agreed for all the above general terms and conditions

Signature of the bidder with Seal & Date


	COMMERCIAL TERMS & CONDITIONS (CTC)	Volume - 1 Enquiry No 292300291
Modification of EM damper		

SL.No.	Clause	BHEL REQUIREMENT	SUPPLIERS ACCEPTANCE / REMARKS
1	Validity of Offer	90 days from date of techno-commercial bid opening.	
2	Bank Guarantee	Supplier shall submit a Bank Guarantee for an amount equivalent to value of the material issued by BHEL. This BG will be returned on completion of order.	

Note : All the clauses of the above format should be filled and submitted with the Techno Commercial Bid (Part-1). The filled in BHEL Commercial terms & Conditions format submitted with technical bid, responding to all the clauses duly signed with seal **only shall be considered**. Any other Commercial terms & conditions of bidders entered else where in their offer shall not be considered and are liable for rejection.

Read and understood the above commercial terms and conditions

Signature of the bidder with Seal & Date

	OTHER TERMS & CONDITIONS	Volume - 1 Enquiry No 292300291
Modification of EM damper		

SL.No.	Clause	BHEL REQUIREMENT	SUPPLIERS ACCEPTANCE / REMARKS
1	Price Basis	All The Indian suppliers shall quote the lowest prices on 'free delivery at BHEL R&D Stores or F.O.R destination' basis only.	
2	Applicable Taxes/Duties	Please indicate the applicable Taxes/Duties in the offer clearly.	
3	Payment Terms	BHEL standard payment term is "100% Basic value by EFT/RTGS within 30 days from the date of completion of complete scope of works and acceptance at BHEL R&D , Hyderabad". GST taxes subject to payment proof of GST taxes remittance to Govt. of India.	
4	Late Delivery penalty clause	Failure to supply the goods and/or Failure to carryout the services within the stipulated delivery date will attract a penalty of 0.5% per week or part thereof for the value of the undelivered portion of the purchase order subject to a maximum of 10% of the total order value. The Penalty amount determined based on the delay in supply/services thereon shall be recovered. In case of non acceptance to this LD Clause, 10% of basic material cost will be loaded on the quoted prices while cost comparison.(Please refer the enclosed 'Loading Factors' sheet).	
5	Price Bid Evaluation	All offers in price bid opening or reverse auction shall be evaluated in Indian currency based on unit price, packing & forwarding, taxes/duties, freight charges if any. Loading due to non-acceptance of our standard commercial terms will be evaluated as per the LOADING FACTORS form as enclosed along with the enquiry.	
7	Delivery period	Suppliers are requested to quote within the delivery date mentioned in the enquiry. They shall also mention Delivery Period from receipt of material / input data / drawings etc. from BHEL===== However BHEL shall inform the vendor about rejection of the offer before price bid opening in case of not meeting the delivery requirements of BHEL.	
	Interest for	Bidder agrees to submit BG required for execution of contract within 15 days from the date of award of	

8	delayed submission of BG	contract. In case of delay in submission of BG, enhanced BG which would include interest (SBI rate + 6%) for the delayed period, shall be submitted by the bidder.	
---	--------------------------	--	--

Signature of the bidder with Seal & Date

	ITEM SPECIFICATIONS	Volume - 2 Enquiry NO 292300291
---	----------------------------	---------------------------------------

Modification of EM damper

SL.No.	Item			
1	Modification of EM damper as per specification EMC/EM/M-01/Rev 00 dated 17.05.2023			
	sl no	Descriptions	BHEL Specifications	Vendor Specifications/ Deviations
	1	Modification EM damper shell	As per BHEL specification EMC/EM/M-01/Rev00 dated 17.05.2023	

* Vendors are advised to write specifications in detail and not to write like 'Complied/ Yes / No ' etc. in specifications.

Signature of the bidder with Seal & Date

LOADING FACTORS



NOTE : IN CASE OF DEVIATION TO BHEL TENDER SPECIFIED TERMS, LOADING FACTOR INDICATED IN FOLLOWING TABLE WILL BE APPLIED TO QUOTED PRICE WHILE EVALUATING THE LOWEST QUOTE

A. FOR INDIGENOUS PURCHASES					
SLNO	SCOPE	COMMERCIAL TERMS	BHEL STANDARD TERM	AS OFFERED	LOADING FACTOR FOR NON COMPLIANCE TO BHEL STANDARD TERMS
A.1	SUPPLY OF EQUIPMENT	PAYMENT TERMS	100% PAYMENT, WITH IN 30 DAYS FROM THE DATE OF RECEIPT AND ACCEPTANCE OF MATERIAL AT BHEL R& D	SAME	NIL
				PAYMENT AGAINST PROFORMA INVOICE / DESPATCH DOCUMENTS	LOADING @ (SBI BASE RATE ON TENDER OPENING DATE+ 6%) ON THE TOTAL PO VALUE FOR ONE MONTH
				INTEREST BEARING PART ADVANCE (MAXIMUM 5% @SBI BASE RATE ON TENDER OPENING DATE+ 6%) PAYMENT WITH 110% BANK GUARANTEE AND BALANCE PAYMENT WITH IN 30 DAYS FROM THE DATE OF RECEIPT AND ACCEPTANCE OF THE MATERIAL	LOADING @ (SBI BASE RATE ON TENDER OPENING DATE+ 6%) ON PART ADVANCE AMOUNT (X%) FOR THE DELIVERY PERIOD (Rounded off to nearest month) + 1 MONTH
				INTEREST BEARING PART ADVANCE (MAXIMUM 5% @SBI BASE RATE ON TENDER OPENING DATE+ 6%) PAYMENT WITH 110% BANK GUARANTEE AND BALANCE PAYMENT ON RECEIPT AND ACCEPTANCE OF MATERIAL	LOADING @ (SBI BASE RATE ON TENDER OPENING DATE+ 6%) ON PART ADVANCE AMOUNT (X%) FOR THE DELIVERY PERIOD (Rounded off to nearest month) + 1 MONTH AND LOADING @ (SBI BASE RATE ON TENDER OPENING DATE+ 6%) ON BALANCE AMOUNT FOR ONE MONTH
A.2	SUPPLY OF EQUIPMENT INCLUDING ERECTION AND COMMISSIONING (E&C)	PAYMENT TERMS	90% PAYMENT, WITH IN 30 DAYS FROM THE DATE OF RECEIPT AND ACCEPTANCE OF MATERIAL AND BALANCE 10% WITH IN 30 DAYS OF COMPLETION OF E&C.	SAME	NIL
				100% PAYMENT WITH IN 30 DAYS AFTER COMPLETION OF SUPPLIES AND E&C	NIL
				90% PAYMENT AGAINST PROFORMA INVOICE/ DESPATCH DOCUMENT AND BALANCE 10% WITH IN 30 DAYS AFTER COMPLETION OF E&C.	LOADING @ (SBI BASE RATE ON TENDER OPENING DATE+ 6%) ON 90% OF THE VALUE OF PO FOR ONE MONTH
				90% PAYMENT AGAINST PROFORMA / DESPATCH DOCUMENT AND BALANCE 10% AFTER COMPLETION OF E&C	LOADING @ (SBI BASE RATE ON TENDER OPENING DATE+ 6%) ON TOTAL VALUE OF THE PO FOR ONE MONTH
				INTEREST BEARING PART ADVANCE (MAXIMUM 5% @SBI BASE RATE ON TENDER OPENING DATE+ 6%) PAYMENT WITH 110% BANK GUARANTEE AND (90 -X) % PAYMENT ON RECEIPT AND ACCEPTANCE OF THE MATERIAL AND 10% PAYMENT WITH IN 30 DAYS AFTER COMPLETION OF E&C	LOADING @ (SBI BASE RATE ON TENDER OPENING DATE+ 6%) ON THE PART ADVANCE AMOUNT (X%)FOR THE DELIVERY PERIOD(ROUNDED OF TO THE NEAREST MONTH)+ 1 MONTH AND LOADING @ ((SBI BASE RATE ON TENDER OPENING DATE+ 6%) ON BALANCE (90-X)% AMOUNT FOR ONE MONTH
INTEREST BEARING PART ADVANCE (MAXIMUM 5% @SBI BASE RATE ON TENDER OPENING DATE+ 6%) PAYMENT WITH 110% BANK GUARANTEE AND BALANCE (90 - X) % PAYMENT AFTER RECEIPT AND ACCEPTANCE OF THE MATERIAL AND 10% PAYMENT AFTER COMPLETION OF E&C	LOADING @ ((SBI BASE RATE ON TENDER OPENING DATE+ 6%) ON THE PART ADVANCE AMOUNT (X%)FOR THE DELIVERY PERIOD(ROUNDED OFF TO THE NEAREST MONTH)+ 1 MONTH AND LOADING @ (SBI BASE RATE ON TENDER OPENING DATE+ 6%) ON BALANCE AMOUNT (100-X)% FOR ONE MONTH				

B. FOR FOREIGN PURCHASES (IMPORTED)					
SLNO	SCOPE	COMMERCIAL TERMS	BHEL STANDARD TERM	AS OFFERED	LOADING FACTOR FOR NON COMPLIANCE TO BHEL STANDARD TERMS
B.1	SUPPLY OF EQUIPMENT	PAYMENT TERMS	100% PAYMENT BY WIRE TRANSFER WITHIN 30 DAYS FROM THE DATE OF RECEIPT AND ACCEPTANCE OF MATERIAL AT BHEL R&D. (DESPATCH DOCUMENTS WILL BE SENT TO BHEL R&D DIRECTLY ALONG WITH BANK DETAILS)	SAME	NIL
				SIGHT DRAFT ON PRESENTATION OF DESPACH DOCUMENTS VIZ INVOICE, AWB ETC TO OUR BANKERS	LOADING @ (SBI BASE RATE ON TENDER OPENING DATE+6%) ON THE BASIC VALUE FOR ONE MONTH PLUS PAYMENT RELATED BANK CHARGES INCURRED BY BHEL
				LC PAYMENT AGAINST DESPACH DOCUMENTS	LOADING @ (SBI BASE RATE ON TENDER OPENING DATE+ 6%) ON THE BASIC VALUE FOR ONE MONTH PLUS LC RELATED BANK CHARGES INCURRED BY BHEL
				INTEREST BEARING PART ADVANCE (MAXIMUM 5% @SBI BASE RATE ON TENDER OPENING DATE+ 6%) PAYMENT WITH 110% BANK GUARANTEE BY WIRE TRANSFER/LC AND BALANCE PAYMENT WITH IN 30 DAYS FROM THE DATE OF RECEIPT AND ACCEPTANCE OF THE MATERIAL	LOADING @ (SBI BASE RATE ON TENDER OPENING DATE+ 6%) ON THE PART ADVANCE AMOUNT (X%) FOR THE DELIVERY (ROUNDED OFF TO NEAREST MONTH) + 1 MONTH PLUS LC RELATED BANK CHARGES INCURRED BY BHEL
				INTEREST BEARING PART ADVANCE (MAXIMUM 5% @SBI BASE RATE ON TENDER OPENING DATE+ 6%) PAYMENT WITH 110% BANK GUARANTEE BY WIRE TRANSFER/LC AND BALANCE PAYMENT ON RECEIPT AND ACCEPTANCE OF MATERIAL	LOADING @ (SBI BASE RATE ON TENDER OPENING DATE+ 6%) ON THE PART ADVANCE AMOUNT (X%) FOR THE DELIVERY PERIOD (ROUNDED OFF TO NEAREST MONTH) + 1 MONTH AND LOADING @ (SBI BASE RATE ON TENDER OPENING DATE+ 6%) ON BALANCE AMOUNT FOR ONE MONTH PLUS LC RELATED BANK CHARGES INCURRED BY BHEL
B.2	SUPPLY OF EQUIPMENT INCLUDING ERECTION AND COMMISSIONING (E&C)	PAYMENT TERMS	90% PAYMENT BY WIRE TRANSFER WITH IN 30 DAYS FROM THE DATE OF RECEIPT AND ACCEPTANCE OF THE MATERIAL AND BALANCE 10% WITH IN 30 DAYS AFTER COMPLETION OF E&C	SAME	NIL
				SIGHT DRAFT ON PRESENTATION OF DESPACH DOCUMENTS VIZ INVOICE, AWB ETC TO OUR BANKERS	LOADING @ (SBI BASE RATE ON TENDER OPENING DATE+6%) FOR ONE MONTH PLUS PAYMENT RELATED BANK CHARGES INCURRED BY BHEL
				90 PAYMENT BY WIRE TRANSFER /LC AGAINST DESPACH DOCUMENTS BALANCE 10% WITH IN 30 DAYS AFTER COMPLETION OF E&C	LOADING @ (SBI BASE RATE ON TENDER OPENING DATE+6%) ON 90% OF BASIC VALUE FOR ONE MONTH PLUS LC RELATED BANK CHARGES INCURRED BY BHEL
				90% PAYMENT BY WIRE TRANSFER / LC AGAINST DESPACH DOCUMENTS. BALANCE 10% AFTER COMPLETION OF E&C	LOADING @ (SBI BASE RATE ON TENDER OPENING DATE+6%) ON THE BASIC VALUE FOR ONE MONTH PLUS LC RELATED BANK CHARGES INCURRED BY BHEL
				90% OF BASIC VALUE AS ADVANCE PAYMENT BY WIRE TRANSFER /LC WITH BANK GUARANTEE AND BALANCE 10% WITH IN 30 DAYS AFTER COMPLETION OF E&C	LOADING @ (SBI BASE RATE ON TENDER OPENING DATE+6%) ON THE BASIC VALUE FOR ONE MONTH PLUS LC RELATED BANK CHARGES INCURRED BY BHEL
				INTEREST BEARING PART ADVANCE (MAXIMUM 5% @SBI BASE RATE ON TENDER OPENING DATE+ 6%) PAYMENT WITH 110% BANK GUARANTEE BY WIRE TRANSFER/LC AND BALANCE 10% WITH IN 30 DAYS AFTER COMPLETION OF E&C	LOADING @ (SBI BASE RATE ON TENDER OPENING DATE+6%) ON 90% OF THE BASIC VALUE FOR DELIVERY PERIOD (ROUNDED OFF TO NEAREST MONTH) + ONE MONTH PLUS LC RELATED BANK CHARGES INCURRED BY BHEL
				INTEREST BEARING PART ADVANCE (MAXIMUM 5% @SBI BASE RATE ON TENDER OPENING DATE+ 6%) PAYMENT WITH 110% BANK GUARANTEE BY WIRE TRANSFER/LC AND BALANCE (90-X)% PAYMENT BY WIRE TRANSFER /LC AFTER RECEIPT AND ACCEPTANCE OF THE MATERIAL AND 10% PAYMENT WITH IN 30 DAYS AFTER COMPLETION OF E&C	LOADING @ (SBI BASE RATE ON TENDER OPENING DATE+ 6%) ON THE PART ADVANCE AMOUNT (X%) FOR THE DELIVERY PERIOD (ROUNDED OFF TO NEAREST MONTH) + ONE MONTH AND LOADING @ (SBI BASE RATE ON TENDER OPENING DATE+ 6%) ON BALANCE (90-X)% FOR ONE MONTH
				INTEREST BEARING PART ADVANCE (MAXIMUM 5% @SBI BASE RATE ON TENDER OPENING DATE+ 6%) PAYMENT WITH 110% BANK GUARANTEE BY WIRE TRANSFER/LC AND BALANCE (90-X)% PAYMENT BY WIRE TRANSFER /LC AFTER RECEIPT AND ACCEPTANCE OF THE MATERIAL AND 10% PAYMENT AFTER COMPLETION OF E&C	LOADING @ (SBI BASE RATE ON TENDER OPENING DATE+ 6%) ON THE PART ADVANCE AMOUNT (X%) FOR THE DELIVERY PERIOD (ROUNDED OFF TO NEAREST MONTH) + ONE MONTH AND LOADING @ (SBI BASE RATE ON TENDER OPENING DATE+ 6%) ON BALANCE AMOUNT (100-X)% FOR ONE MONTH
C. PENALTY FOR DELAYED DELIVERY (COMMON FOR INDIGENOUS AND IMPORTS)					
SLNO	COMMERCIAL TERMS	BHEL STANDARD TERM	AS OFFERED	LOADING FACTOR FOR NON COMPLIANCE TO BHEL STANDARD TERMS	
C	LD CLAUSE	IN THE EVENT OF DELAY IN AGREED CONTRACTUAL DELIVERY, PENALTY OF 0.5% (HALF PERCENT) PER WEEK BUT LIMITED TO A MAX OF	AGREED	NIL	
			IF NOT AGREED	LOADING @ 10% OF THE BASIC MATERIAL COST	

		10% OF TOTAL ORDER VALUE WILL BE APPLICABLE	IF AGREED FOR X%	LOADING @ (10-X)% OF THE BASIC MATERIAL COST
D. GUARANTEE/WARRANTY PERIOD (COMMON FOR INDIGENOUS AND IMPORTS)				
SLNO	COMMERCIAL TERMS	BHEL STANDARD TERM	AS OFFERED	LOADING FACTOR FOR NON COMPLIANCE TO BHEL STANDARD TERMS
D	GUARANTEE/WARRANTY PERIOD	STIPULATED OR REQUIRED GUARANTEE/ WARRANTY PERIOD(X)	AGREED	NIL
		MINIMUM ACCEPTABLE GUARANTEE / WARRANTY PERIOD(Y)	NOT AGREED FOR STIPULATED BUT AGREED FOR MINIMUM GUARANTEE/WARRANTY(Y)	LOADING @ 10 % OF THE ORDER VALUE PER ANNUM FOR THE REDUCED GUARANTEE PERIOD (X-Y)

Terms & Conditions of Reverse Auction



Against this enquiry for the subject item/ system with detailed scope of supply as per enquiry specifications, BHEL may resort to “REVERSE AUCTION PROCEDURE” i.e., ON LINE BIDDING (THROUGH A SERVICE PROVIDER). The philosophy followed for reverse auction shall be English Reverse (No ties).

1. For the proposed reverse auction, technically and commercially acceptable bidders only shall be eligible to participate.
2. Those bidders who have given their acceptance for Reverse Auction (quoted against this tender enquiry) will have to necessarily submit online sealed bid in the Reverse Auction. Non-submission of online sealed bid by the bidder for any of the eligible items for which techno-commercially qualified, will be considered as tampering of the tender process and will invite action by BHEL as per extant guidelines in vogue.
3. BHEL will engage the services of a service provider who will provide all necessary training and assistance before commencement of on line bidding on internet.
4. In case of reverse auction, BHEL will inform the bidders the details of Service Provider to enable them to contact & get trained.
5. Business rules like event date, time, bid decrement, extension etc. also will be communicated through service provider for compliance.
6. Bidders have to fax the Compliance form (annexure IV) before start of Reverse auction. Without this, the bidder will not be eligible to participate in the event.
7. In line with the NIT terms, BHEL will provide the calculation sheet (e.g. EXCEL sheet) which will help to arrive at “Total Cost to BHEL” like Packing & forwarding charges, Taxes and Duties, Freight charges, Insurance, Service Tax for Services and loading factors (for non-compliance to BHEL standard Commercial terms & conditions) for each of the bidder to enable them to fill-in the price and keep it ready for keying in during the Auction.
8. Reverse auction will be conducted on scheduled date & time.
9. At the end of Reverse Auction event, the lowest bidder value will be known on auction portal.
10. The lowest bidder has to fax/e-mail the duly signed and filled-in prescribed format for price breakup including that of line items, if required, (Annexure VII) as provided on case-to-case basis to Service provider within two working days of Auction without fail.
11. In case BHEL decides not to go for Reverse Auction procedure for this tender enquiry, the Price bids and price impacts, if any, already submitted and available with BHEL shall be opened as per BHEL standard practice.
12. Bidders shall be required to read the “Terms and Conditions” section of the auctions site of Service provider, using the Login IDs and passwords given to them by the service provider before reverse auction event. Bidders should acquaint themselves of the „Business Rules of Reverse Auction?, which will be communicated before the Reverse Auction.
13. If the Bidder or any of his representatives are found to be involved in Price manipulation/ cartel formation of any kind, directly or indirectly by communicating with other bidders, action as per extant BHEL guidelines, shall be initiated by BHEL and the results of the RA scrapped/ aborted.
14. The Bidder shall not divulge either his Bids or any other exclusive details of BHEL to any other party.
15. In case BHEL decides to go for reverse auction, the H1 bidder (whose quote is highest in online sealed bid) may not be allowed to participate in further RA process.

AUTHORISATION LETTER FOR E-PAYMENT/ NEFT / RTGS
(PLEASE FILL UP THE FORM COMPLETELY IN CAPITAL LETTERS ON YOUR COMPANY LETTERHEAD ONLY)

Vendor Code (to be filled by BHEL)	
------------------------------------	--

Type of Request (Tick one)	NEW	CHANGE
1 Company Name		
2 Address		
3 City with PIN Code		
4 State		
5 PAN Number		
6 TIN/ VAT No.		
7 CST No.		
8 Service Tax No.		
9 Name of Contact Person		
10 Mobile number		
11 Ph. no. with STD Code		
12 Fax No. with STD Code		
13 Email ID		
14 Website (URL)		

BANK DETAILS FOR EFT / RTGS

1	Bank Name	
2	Branch	
3	Branch Code	
4	Branch Address	
5	Branch Phone No	
6	Account No.	
7	Account Type: SB/ Current/ other (Specify)	
8	MICR Code	
9	IFSC Code	

I, as an authorized representative / owner of the above named company, hereby state as under:

1. Enclosed here with a cancelled cheque in support of our company's bank details.
2. Authorize BHEL R&D Hyderabad, to electronically make payments to the designated bank account with bank charges, if any, to our account.
3. If the transaction is delayed or not effected at all for reasons of incomplete or incorrect information, I would not hold BHEL / transferring Bank responsible.
4. I hereby certify that the particulars given above are true, complete and correct.
5. This authority remains in full force until BHEL receives and acknowledge written notification requesting change or cancellation.

Date :
Company
Seal

Authorised Signatory
Designation :



Bharat Heavy Electricals Limited

Corp. R&D DIVISION

VIKAS NAGAR,

HYDERABAD- 500 093 (INDIA)

RD:MPX:F-13

VENDOR REGISTRATION FORM

(Indigenous supplier)

[FORM TO BE SUBMITTED* BY THE BIDDER ALONG WITH TECHNICAL-BID]

Before filling, please refer to instructions on page-4

1.0 VENDOR PROFILE:

1.1 Name and address of the vendor:

Phone Nos.:

Fax No.:

Email: 1. _____ 2. _____

1.2 Local representative name & address in Hyderabad/Secundrabad :

Phone Nos.:

Fax No.:

Email:

Contact Person:

Mobile No:

2.0 TYPE OF ORGANISATION:

PROPRIETORSHIP	Company:	Sister Concern (mention vendor registration number of main organization)	
Partnership	CORPORATION	Small Scale Industry	ANY OTHER(Please specify)

In case of SSI unit, copy of registration to be enclosed. It is requested that MSME registration certificate to be enclosed and tick the following:

Type of Major Activity: Manufacturing / Service

Category of Enterprise: Micro / Small / Medium

Social Category : GENERAL / SC / ST / OBC

Udyog Adhaar Number (UAN): _____

3.0 ANNUAL TURN OVER:

#	Year	Turn-Over, Rs.
1	Current Year(budgeted)	
2	Previous year (200 - 0)	
3	Prior Year (200 - 0)	

4.0 NAME AND ADDRESS OF THE BANKER:

4.1 Bank Name

4.2 Branch name

4.3 Account number

4.4 Account Type

4.5 MICR Code:

4.6 IFSC Code(RTGS/NEFT):

4.7 Bank Phone number(s),

Blank cheque, duly cancelled, to be enclosed.

Please note that all payments shall be made through Electronic clearance services to your above account against the orders executed, if any.

5.0 REGISTRATION PARTICULARS(relevant copies to be enclosed)

5.1 IT Permanent Account No.(PAN):

5.2 State Sales Tax/VAT Registration No:

5.3 Central Sales Tax Registration No:

5.4 ED Registration No:

5.5 Service Tax Registration No:

5.6 PF Account No:

5.7 Labour Licence No:

5.8 ESI Account No:

6.0 CONTACT PERSON: S/Sri:

Designation:

Phone / Mobile No:

7.0 TOTAL NUMBER OF EMPLOYEES:

Graduates (Engr/Scientists/Mgmt/Fin.)	Consultants	Workers		
		Sup./Skilled	Semiskilled	Unskilled

--	--	--	--	--

8.0 LIST OF PRODUCTS/ SERVICES OFFERED:

#	Products/ Services	Capacity
1		
2		
3		
4		
5		

9.0 REFERENCE LIST :

(Only recognized public and private sector companies, attach if printed copy available)

#	Customer	Volume / Year
1		
2		
3		
4		
5		

10.0 INFRASTRUCTURE / FACILITIES:

#	Facility (with specifications)	Age/ Year procured
1		
2		
3		
4		
5		

11.0 REGISTRATION WITH OTHER BHEL UNIT/UNITS:

#	Unit	Registration No	Year
1			
2			
3			
4			

12.0 ANY OTHER INFORMATION :**DECLARATION:**

The information furnished above is true and authentic.

(CEO / PROPRIETOR)

SEAL:

DATE:

Note:

1. Registered bidders, having BHEL (R&D) registration no. or have submitted this format for registration, need not furnish this information again.
2. The competent authority reserves the right to accept or reject the registration.
3. Vendors approved for registration will be informed by mail / email, as convenient. A separate communication will be sent in case of non-registration also, citing reasons thereof.
4. BHEL reserves the right to take penal action as deemed fit if any of the information provided by the vendor(s) is found to be incorrect.
5. AGM, Head (MM) may be contacted for clarification/additional information on registration.

Instructions

1. Fill all items. Please mention "N.A." for items/ clauses not applicable.
2. Use A4 sheets for this document and the enclosures. Use of additional sheets is permitted if space provided is not adequate.
3. Attach copies of latest documents in respect of items 5.0 (Registration no.s)
4. Photographs of registered office and the chief executive/proprietor shall be furnished.



Bharat Heavy Electricals Limited

Corp. R&D DIVISION

VIKAS NAGAR,

HYDERABAD- 500 093 (INDIA)

RD:MPX:F-14

SUPPLIER REGISTRATION FORM

(FOREIGN SUPPLIER)

ALL COLUMNS SHOULD BE PROPERLY FILLED IN THE SPACE PROVIDED FOR. WHEREVER IT IS NOT APPLICABLE PLEASE WRITE "NOT APPLICABLE". INCOMPLETE OR INCORRECT FORMS MAY NOT BE CONSIDERED.

1.0 GENERAL INFORMATION:

1.1 NAME OF COMPANY

1.2 DETAILS OF HEAD OFFICE:

ADDRESS :
 TELEPHONE :
 FAX :
 EMAIL :
 WEB SITE :

1.3 DETAILS OF FACTORY/WORKS:

ADDRESS :
 TELEPHONE :
 FAX :
 EMAIL :
 WEB SITE :

1.4 DETAILS OF MARKETING AGENT

ADDRESS :
 TELEPHONE :
 FAX :
 EMAIL :
 WEB SITE :

1.5 CHIEF EXECUTIVE

1.6 CONTACT PERSON(S) FOR PRODUCT OFFERED

NAME(S) :
 OFFICIAL :
 CPACITY :
 ADDRESS :
 TELEPHONE :
 FAX :
 EMAIL :

1.7 YEAR OF ESTABLISHMENT

1.8 PRODUCTION CAPACITY PER ANNUM

1.9 PARTICULARS OF PRODUCT INCLUDING
 SPECIFICATION AND RANGE OFFERED
 FOR REGISTRTION
 (Attach brouchers and catalogues)

1.10 NAME(S) OF BANKERS

1.11 BANKER'S CERTIFICATE

1.12 PORT OF LOADING

1.13 NEAREST AIRPORT

1.14 NAME OF THE INDIAN AGENT, IF ANY
 WITH AUTHORIZATION LETTER

2.0 FINANCIAL INFORMATION:

2.1 TOTAL CAPACITY

2.2 ANNUAL TURN OVER FOR LAST 3 YEARS

2.3 WHEHER CREDIT LICENSE ACCEPTABLE YES/NO

3.0 QUALITY MANAGEMENT SYSTEMS

ENCLOSED FORMAT PART-B

3.1 EXPERIENCE LIST FOR SAME/ SIMILAR ITEMS
 TO BE ENCLOSED

4.0 FUTURE EXPANSION PLANS:

(Give details)

5.0 LIST OF ENCLOSURES:

(Including brochures, catalogues, technical literature etc)

6.0 ANY OTHER INFORMATION:

SIGNATURE OF SUPPLIER (Authorized signatory)

NAME :

DESIGNATION :

DATE :

OFFICIAL SEAL

Note:

1. BHEL Reserves the right to take penal action as deemed fit if any of the information provided by the vendor is found to be incorrect.
2. Please attach separate sheets, if space found is inadequate



Bharat Heavy Electricals Limited

Corp. R&D DIVISION

VIKAS NAGAR,

HYDERABAD- 500 093 (INDIA)

RD:MPX:F-13

Ph: 040 – 23772704, Fax: 040 – 23770698, email: mpx@bhelrnd.co.in

GUIDE LINES REGARDING DEALINGS WITH INDIAN AGENTS OF FOREIGN SUPPLIERS

- i. BHEL shall deal directly with foreign vendors, wherever required, for procurement of goods. However, if the foreign principal desires to avail of the services of an Indian agent, then the foreign principal should ensure compliance to regulatory guidelines - which require mandatory submission of an Agency Agreement.
- ii. It shall be incumbent on the Indian agent and the foreign principal to adhere to the relevant guidelines of Government of India, issued from time to time.
- iii. The Agency Agreement should specify the precise relationship between the foreign OEM / foreign principal and their Indian agent and their mutual interest in the business. All services to be rendered by agent/ associate, whether of general nature or in relation to the particular contract, must be clearly stated by the foreign supplier/ Indian agent. Any payment, which the agent or associate receives in India or abroad from the OEM, whether as commission or as a general retainer fee should be brought on record in the Agreement and be made explicit in order to ensure compliance to laws of the country.
- iv. Any agency commission to be paid by BHEL to the Indian agent shall be in Indian currency only.
- v. Whenever Indian agents are representing on behalf of their principals the relevant authorisation letter and agreement copy to be enclosed along with Technical bid to consider the offer.

22

ANNEXURE-A

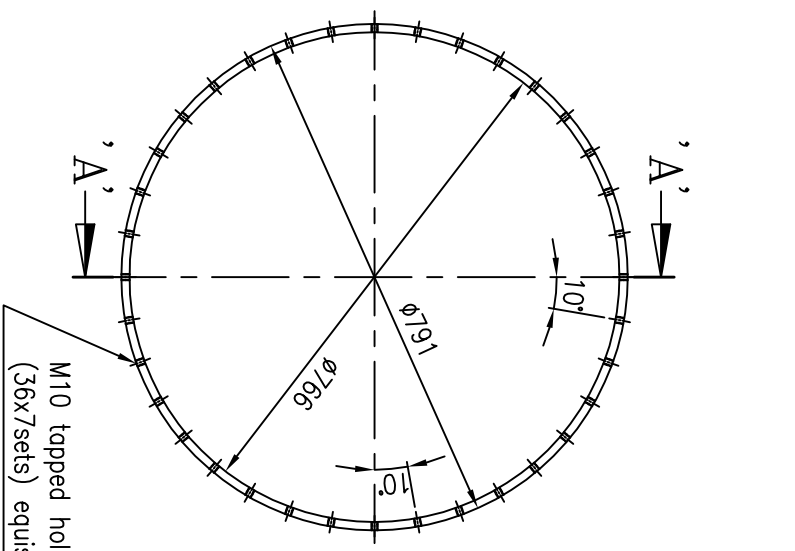
Spec No: EMC/EM/M-01/Rev 00

Date: 17-05-2023

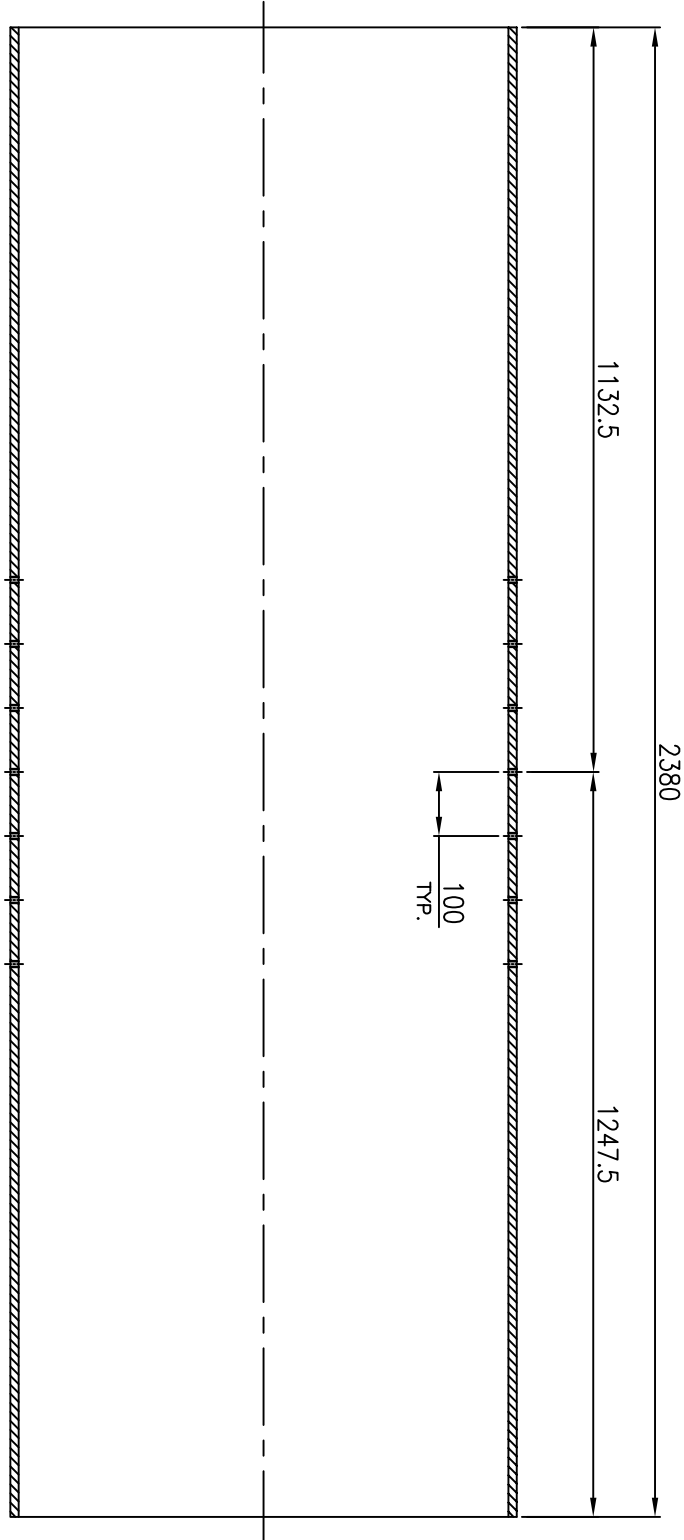
Modification of EM damper

Sl. No.	Description	BHEL Specification
1	Material	<ol style="list-style-type: none">1. The existing EM damper shell made of SS316L will be provided by BHEL.2. 36 number of copper flat of size 80 mm x 6 mm x 600mm long will be provided for making damper bar.3. 2 number of copper flat plate of size 100 mm x 6 mm x 3000mm long will be provided for making two end rings. <p>The above listed material will be supplied by BHEL and vendor has to deposit the bank guarantee of Rs. 2.50 lakhs for taking the material listed from serial no 1 to 3.</p>
2	Drawing details	<ol style="list-style-type: none">1. Drawing no XY1102090051 belongs to existing SS316L damper shell.2. Drawing no XHY200750054 is of new damper shell which will get modified from existing SS316L damper shell.3. Drawing no 3HY200750057 belongs to EM damper bar.4. Drawing no XHY200750055 belongs to end rings.5. Drawing no XHY200750058 belongs to EM damper assembly.
3	Work sequence	<p>The work flow should follow the below listed sequence;</p> <ol style="list-style-type: none">1. The existing damper shell (drawing no XY1102090051) will be machined to make modified damper shell as per drawing no XHY200750054.2. The copper flat mentioned in serial no 1.2 has to be modified as per drawing no 3HY200750057 to make EM damper bars.3. The copper flat mentioned in serial no 1.3 has to be modified as per drawing no XHY200750055 to make two number of end rings.4. Two end rings mentioned in serial no 3 will be split in two half rings for assembly in modified damper shell.

		<p>5. 36 numbers of damper bars and 2 numbers of end rings will be assembled in modified EM damper shell.</p> <p>6. Brazing of end rings and damper bars to complete the EM damper assembly as per drawing no XHY200750058. The brazing rod should have minimum 60% of silver content to be used for brazing.</p>
4	Transport & Insurance	Transport & insurance is in vendor's scope for to and fro movement of material being receipt from BHEL.
5	Scrap	Scrap generated will remain with the vendor, therefore vendor shall quote the final value for complete scope of work considering that scrap is retained with vendor.
6	Dimensional Report	Vendor shall submit the dimensional report of EM damper.
7	Acceptance	BHEL will accept the item without any deviation from the approved drawings.
8	Dispatch clearance	The dimensional report must be submitted to BHEL at least 5 days before the delivery of material for review and dispatch clearance.



M10 tapped holes - 252 nos
(36x7sets) equispaced at 10°



SECTION - 'AA'

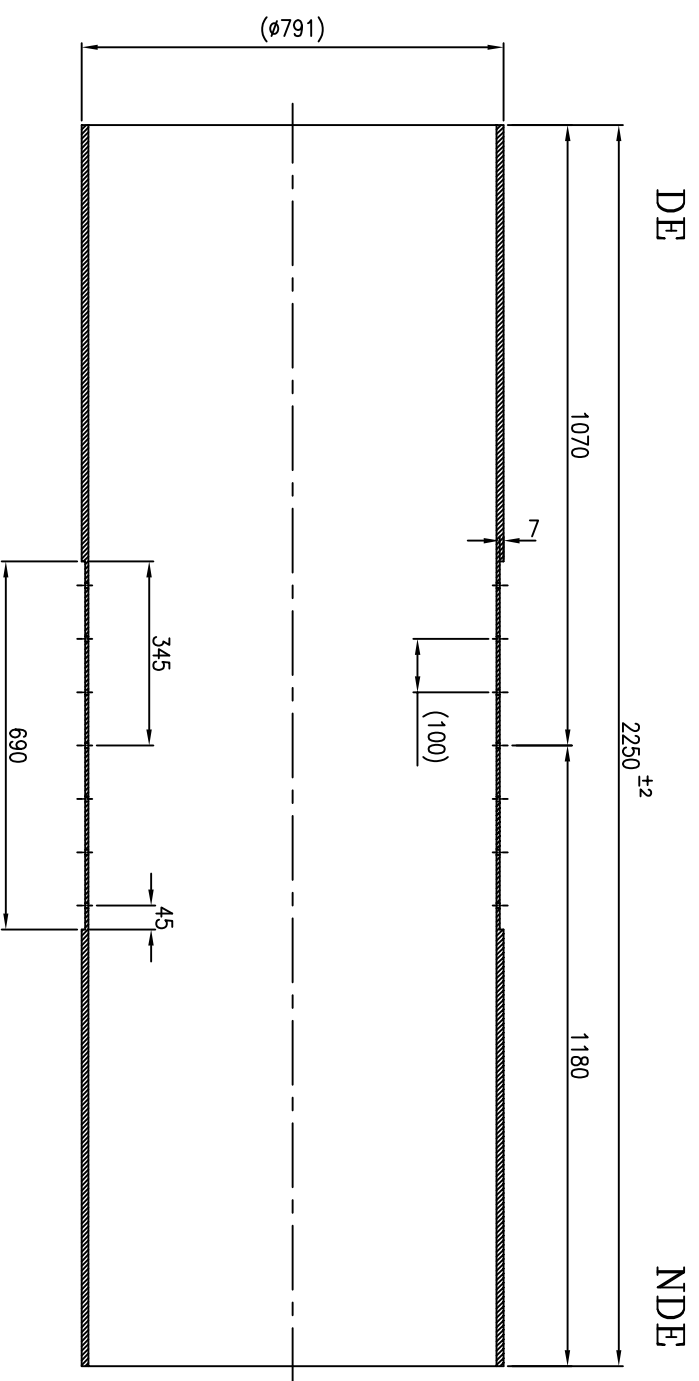
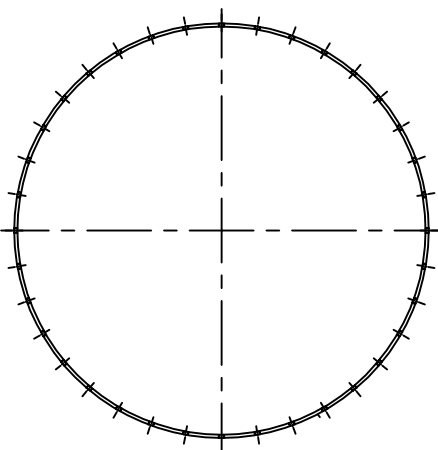
EXISTING DAMPER SHELL

MATERIAL: SS316L

Qty: 1no

NO.	DATE	DESCRIPTION	BY	CHECKED	APPROVED
1					
2					
3					
4					
5					
6					
7					
8					
9					
10					
11					
12					
13					
14					
15					

TYPE OF PRODUCT		200KW HTSC MOTOR	
NAME OF CUSTOMER/PROJECT		SHELL FOR PM DAMPER	
DATE	BY	DATE	BY
11/11/11	MS	08/01	MS
DRAWING NO.		XY1020B0051	
REV.		1	



SECTION-'AA'

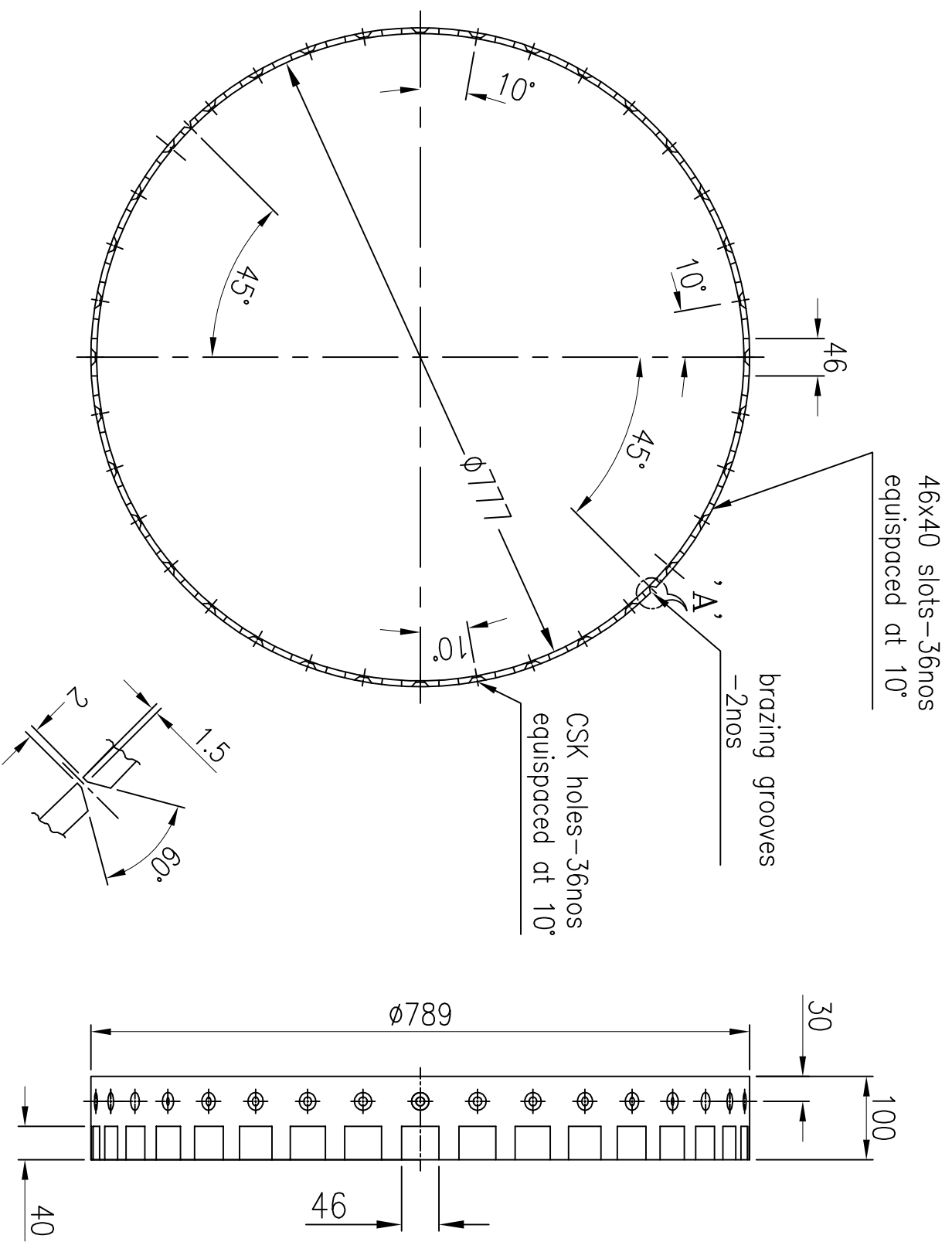
Remove all sharp corners
Dimensions within brackets are existing and for reference only

PROPOSED DAMPER SHELL

MATERIAL: SS316L
Qty: 1no

NO.	REV.	DATE	BY	CHKD.	DESCRIPTION
1					
2					
3					
4					
5					
6					
7					
8					
9					
10					
11					
12					
13					
14					
15					

TYPE OF PRODUCT		200kW HTSC MOTOR	
NAME OF CUSTOMER/PROJECT		MATERIALS	
DRAWING NO.		DATE	
REV. NO.		SCALE	
DATE		BY	
CHKD.		DATE	
APPROVED		DATE	
PROJECT NO.		DRAWING NO.	
REV. NO.		DATE	
DATE		BY	
CHKD.		DATE	
APPROVED		DATE	



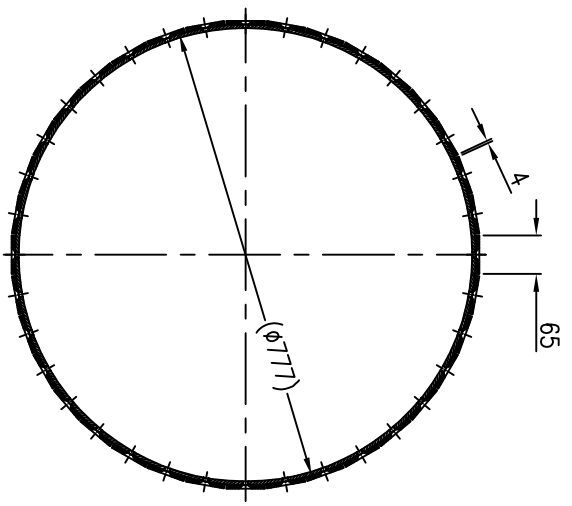
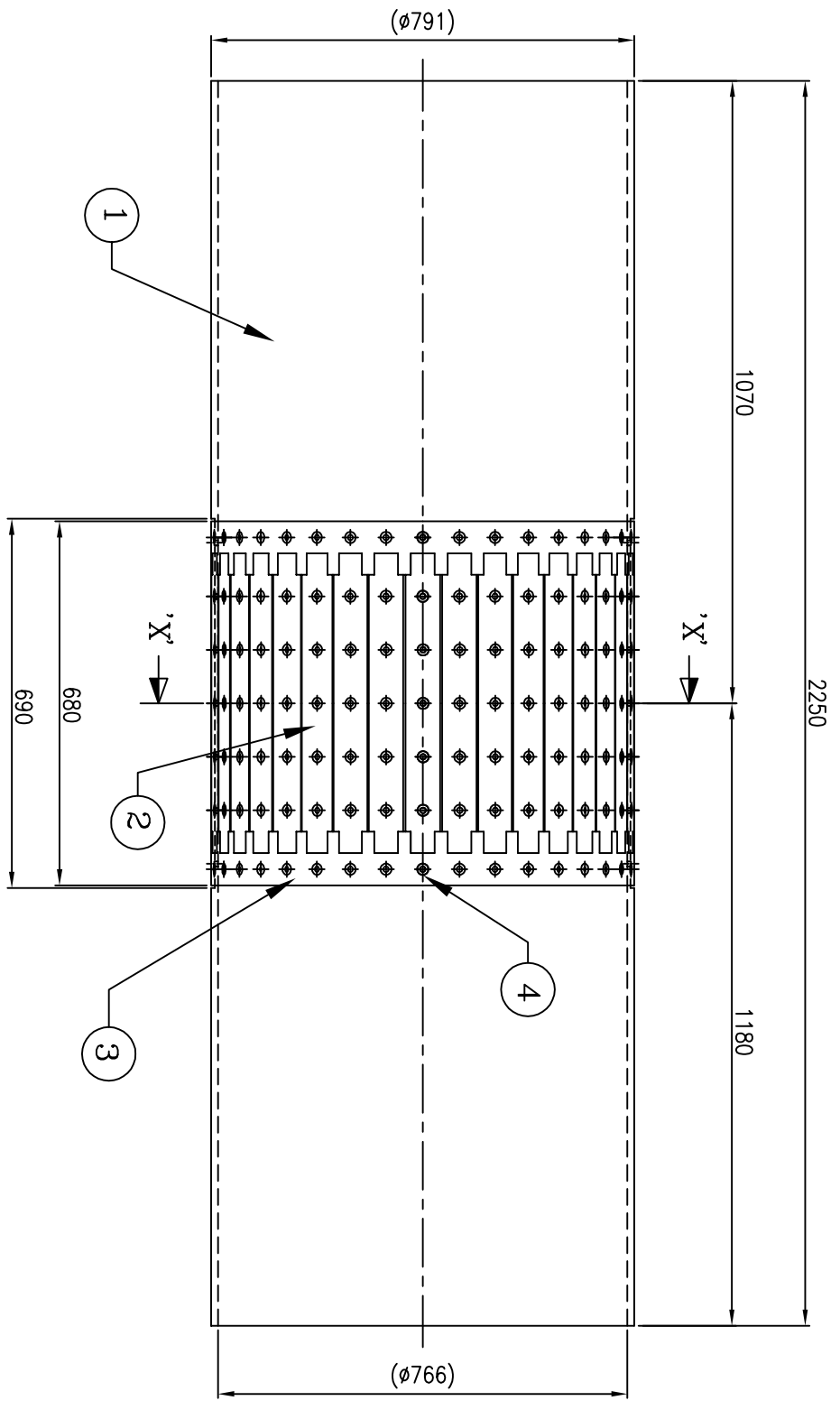
DETAIL—'A'

Material: ETP copper
Qty: 2nos
Raw material size: 100x6thk flat

TYPE OF PRODUCT		200kW HTSC MOTOR	
NAME OF CUSTOMER/PROJECT		EM DAMPER END RING	
DRAWING NO.		YHT200750054	
DATE		15/05/2013	
SCALE		1:1	
DESIGNED BY		S. S. SINGH	
CHECKED BY		S. S. SINGH	
APPROVED BY		S. S. SINGH	
DATE		15/05/2013	
PROJECT NO.		YHT200750054	
JOB NO.		YHT200750054	
JOB NAME		EM DAMPER END RING	
JOB ADDRESS		BHARAT HEAVY ELECTRICALS LIMITED	
JOB CITY		DELHI	
JOB STATE		INDIA	
JOB COUNTRY		INDIA	
JOB PHONE		+91 11 2610 1111	
JOB FAX		+91 11 2610 1111	
JOB EMAIL		sales@bhel.com	
JOB WEBSITE		www.bhel.com	
JOB LOGO		[Logo]	

DE

NDE



SECTION - 'XX'

S.No.	Description	Qty.	Drawing No.
1	EM Damper Shell	1	XHY200750054
2	Damper Bar	36	3HY200750057
3	Damper End Ring	2	XHY200750055
4	M10x6mm long CSK screws	252	SS304

TYPE OF PRODUCT
NAME OF CUSTOMER/PROJECT: 200KW HTSC MOTOR

DATE 11/11/11 **SCALE** 1:1

DESIGNER **CHECKER** **APPROVER**

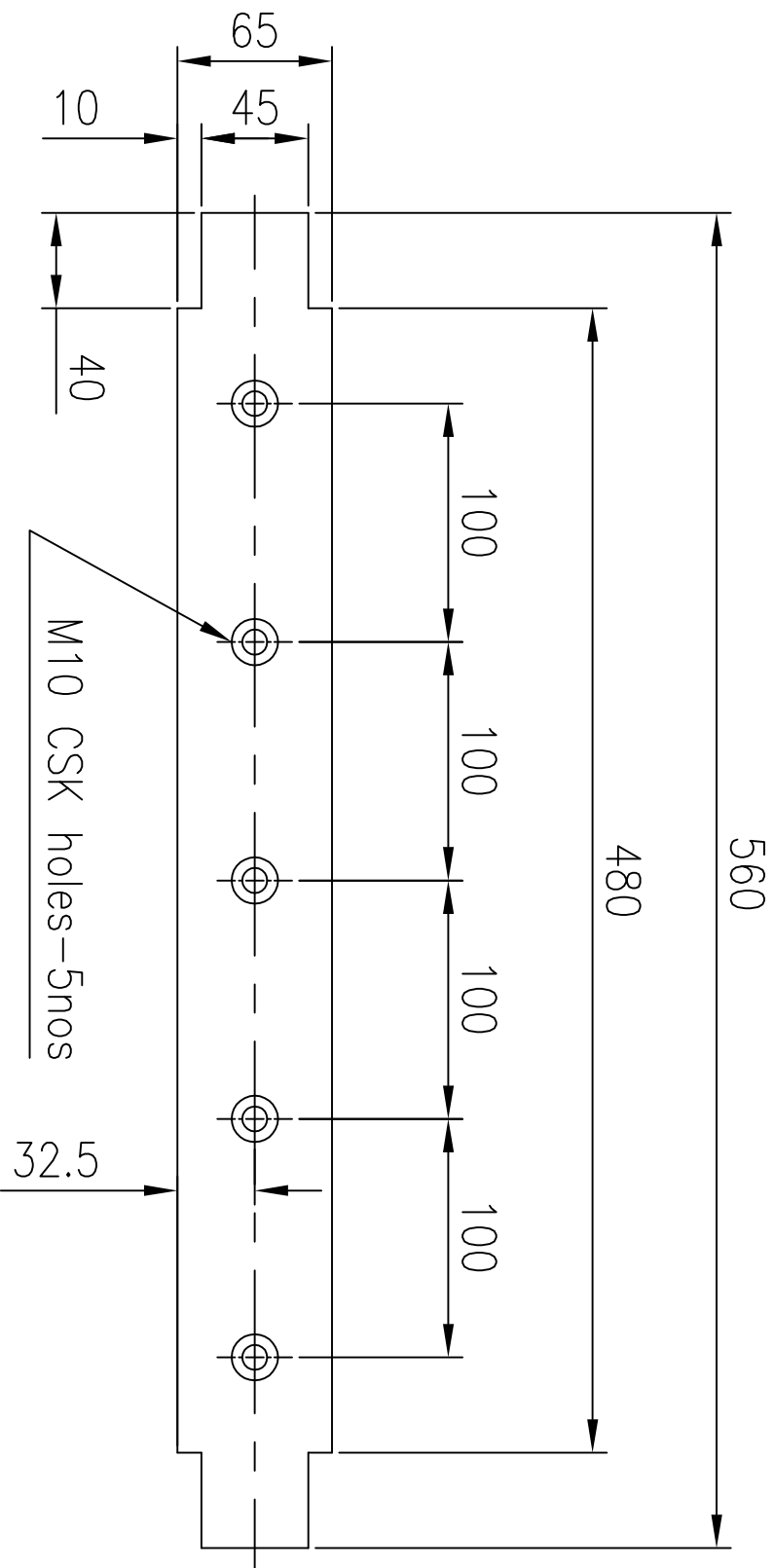
COMPANY BHARAT HEAVY ELECTRICALS LIMITED

PROJECT NO. XHY200750054

DRAWING NO. XHY200750054

TITLE EM DAMPER ASSEMBLY

NO.	REV.	DATE	BY	CHKD	APPD	DESCRIPTION
1						
2						
3						
4						
5						
6						
7						
8						
9						
10						
11						
12						
13						
14						
15						
16						



Material: ETP copper
Qty: 36nos
Raw material size: 80x6thk flat

TYPE OF PRODUCT		200kW HTSC MOTOR	
NAME OF CUSTOMER/PROJECT		EM DAMPER BAR	
DATE	BY	DATE	BY
01/11/11	SHRUTI	01/11/11	SHRUTI
DRAWING NO.		SH1200/50057	
REV. NO.		00	
SCALE		1:1	
SHEET NO.		1	
TOTAL SHEETS		1	

(Compliance to be submitted on the Bidder's Letterhead)
(as applicable)

Sub: Compliance to Government of India order OM No.6/18/2019-PPD dated 23.07.2020 & 24.7.2020 regarding restrictions under Rule 144 (XI) of the General Financial Rules (GFRs), 2017

BHEL enquiry ref:	Enquiry No 292300291, Date 20-06-2023
Our quotation ref:	

We, The Bidder have read and understood the contents of the office Memorandum & the Order (Public Procurement No. 1) both bearing no. F.No.6/18/2019/PPD of 23rd July 2020 issued by Ministry of Finance, Government of India on insertion of Rule 144 (Xi) in the General Financial Rules (GFRs) 2017 and the amendments & clarifications thereto, regarding restrictions on availing/procurement of goods and services, of any Bidder from a country which shares a land border with India and/or sub-contracting to contractors from such countries.

"I have read the clause regarding restrictions on procurement from a bidder of a country which shares a land border with India; I certify that this bidder is not from such a country or, if from such a country, has been registered with the Competent Authority (strikeout whichever is not applicable). I hereby certify that this bidder fulfills all requirements in this regard and is eligible to be considered. [Where applicable, evidence of valid registration by the Competent Authority shall be attached]"

(Note: Non-compliance of above said GoI Order and its subsequent amendment, (if any), by any bidder(s) shall lead for commercial rejection of their bids by BHEL).

For and behalf of _____ (Name of the bidder)

(Signature, date & seal of authorized signatory of the bidder)

BANK GUARANTEE FOR SUPPLY FREE ISSUE MATERIAL

Bank Guarantee No:

Date:

To

NAME

& ADDRESSES OF THE BENEFICIARY

Dear Sirs,

In consideration of Bharat Heavy Electricals Limited¹ (hereinafter referred to as the 'Employer' which expression shall unless repugnant to the context or meaning thereof, include its successors and permitted assigns) incorporated under the Companies Act, 1956 and having its registered office at _____¹ through its Unit at.....(name of the Unit) having awarded to.....² (Name of the Vendor / Contractor / Supplier), with its registered office at _____² (hereinafter called "the Vendor/Contractor/Supplier" which expression shall include its successors and permitted assigns) a contract Ref No.....dated³valued at Rs.....(Rupees -----) /FC.....(in words.....) for⁴(hereinafter called the 'Contract')

AND WHEREAS the Employer having agreed as per the terms and conditions of the Contract to supply free issue material costing Rs._____ for the manufacture/fabrication of the equipment at the 'Contractor/Supplier/Fabricator's' site on furnishing of a Bank Guarantee for Rs./FC_____ (Rupees/FC.....)⁵ in the manner hereinafter specified for the due safeguard of the free issue material, we,, (hereinafter referred to as the Bank), having registered/Head office at and inter alia a branch at being the Guarantor under this Guarantee, hereby irrevocably and unconditionally undertake to forthwith and immediately pay to the Employer any sum or sums upto a maximum amount but not exceeding Rs/FC ----- (Rupees/FC -----) without any demur, merely on a demand from the Employer and without any reservation, protest and recourse and without the Employer needing to prove or demonstrate reasons for its such demand.

Any such demand made on the Bank shall be conclusive as regards the amount due and payable by the Bank under this guarantee. However, our liability under this guarantee shall be restricted to an amount not exceeding Rs. _____.

We undertake to pay to the Employer any money so demanded notwithstanding any dispute or disputes raised by the 'Contractor/Supplier/Fabricator in any suit or proceeding pending before any Court or Tribunal or Arbitrator or any other authority, our liability under this present being absolute and unequivocal.

The payment so made by us under this Guarantee shall be a valid discharge of our liability for payment hereunder and the 'Contractor/Supplier/Fabricator' shall have no claim against us for making such payment.

We theBank further agree that the guarantee herein contained shall remain in full force and effect during the period that would be taken for the performance of the said Contract and till the reconciliation of the free issue material has been carried out and that it shall continue to be enforceable till all the dues of the Employer under or by virtue of the said Contract have been fully paid and its claims satisfied or discharged.

We Bank further agree that the Employer shall have the fullest liberty without our consent and without affecting in any manner our obligations hereunder to vary any of the terms and conditions of the said Contract or to extend time of performance by the said 'Contractor/Supplier/Fabricator' from time to time or to postpone for any time or from time to time any of the powers exercisable by the Employer against the said Contractor/Supplier/Fabricator and to forbear or enforce any of the terms and conditions relating to the said Contract and we shall not be relieved from our liability by reason of any such variation, or extension being granted to the said 'Contractor/Supplier/Fabricator' or for any forbearance, act or omission on the part of the Employer or any indulgence by the Employer to the said 'Contractor/Supplier/Fabricator' or by any such matter or thing whatsoever which under the law relating to sureties would but for this provision have effect of so relieving us.

The Bank also agrees that the Employer at its option shall be entitled to enforce this Guarantee against the Bank as a principal debtor, in the first instance without proceeding against the Contractor/Supplier/ Fabricator and notwithstanding any security or other guarantee that the Employer may have in relation to the Contractor's/Supplier's/ Fabricator's liabilities.

This Guarantee shall remain in force upto and including.....⁶ and shall be extended from time to time for such period as may be desired by Employer.

This Guarantee shall not be determined or affected by liquidation or winding up, dissolution or change of constitution or insolvency of the Contractor/ Supplier/ Fabricator but shall in all respects and for all purposes be binding and operative until payment of all money payable to the Employer in terms thereof.

Unless a demand or claim under this guarantee is made on us in writing on or before the⁷we shall be discharged from all liabilities under this guarantee thereafter.

We, BANK lastly undertake not to revoke this guarantee during its currency except with the previous consent of the Employer in writing.

Notwithstanding anything to the contrary contained hereinabove:

- a) The liability of the Bank under this Guarantee shall not exceed.....⁵
- b) This Guarantee shall be valid up to⁶
- c) Unless the Bank is served a written claim or demand on or before _____⁷ all rights under this guarantee shall be forfeited and the Bank shall be relieved and discharged from all liabilities under this guarantee irrespective of whether or not the original bank guarantee is returned to the Bank.

We, _____ Bank, have power to issue this Guarantee under law and the undersigned as a duly authorized person has full powers to sign this Guarantee on behalf of the Bank.

For and on behalf of
(Name of the Bank)

Dated.....

Place of Issue.....

¹ NAME AND ADDRESS OF THE EMPLOER. i.e Bharat Heavy Electricals Limited

² NAME AND ADDRESS OF THE CONTRACTOR / SUPPLIER/ FABRICATOR .

³ DETAILS ABOUT THE NOTICE OF AWARD/CONTRACT REFERENCE

⁴ PROJECT/SUPPLY DETAILS AND CONTRACT VALUE

⁵ BG AMOUNT IN FIGURES AND WORDS

⁶ VALIDITY DATE

⁷ DATE OF EXPIRY OF CLAIM PERIOD

Note:

1. Units are advised that expiry of claim period may be kept 3-6 months after validity date. It may be ensured that the same is in line with the agreement/ contract entered with the Vendor.
2. The BG should be on Non-Judicial Stamp paper/e-stamp paper of appropriate value as per Stamp Act prevailing in the State(s) where the BG is submitted or is to be acted upon or the rate prevailing in the State where the BG was executed, whichever is higher. The Stamp Paper/e-stamp paper shall be purchased in the name of Vendor/Contractor/Supplier /Bank issuing the guarantee.
3. In line with the GCC, SCC or contractual terms, Unit may carry out minor modifications in the Standard BG Formats. If required, such modifications may be carried out after taking up appropriately with the Unit/Region's Law Deptt.

4. In Case of Bank Guarantees submitted by Foreign Vendors-

- a. **From Nationalized/Public Sector / Private Sector/ Foreign Banks (BG issued by Branches in India)** can be accepted subject to the condition that the Bank Guarantee should be enforceable in the town/city or at nearest branch where the Unit is located i.e. Demand can be presented at the Branch located in the town/city or at nearest branch where the Unit is located.
- b. **From Foreign Banks (wherein Foreign Vendors intend to provide BG from local branch of the Vendor country's Bank)**
 - b.1 In such cases, in the Tender Enquiry/ Contract itself, it may be clearly specified that Bank Guarantee issued by **any of the Consortium Banks only** will be accepted by BHEL. As such, Foreign Vendor needs to make necessary arrangements for issuance of Counter- Guarantee by Foreign Bank in favour of the Indian Bank's (BHEL's Consortium Bank) branch in India. It is advisable that all charges for issuance of Bank Guarantee/ counter- Guarantee should be borne by the Foreign Vendor. The tender stipulation should clearly specify these requirements.
 - b.2 **In case, Foreign Vendors intend to provide BG from Overseas Branch of our Consortium Bank** (e.g. if a BG is to be issued by SBI Frankfurt), the same is acceptable. However, the procedure at **sl.no. b.1** will required to be followed.
 - b.3 The BG issued may preferably be subject to Uniform Rules for Demand Guarantees (URDG) 758 (as amended from time to time). The BG Format provided to them should clearly specify the same.