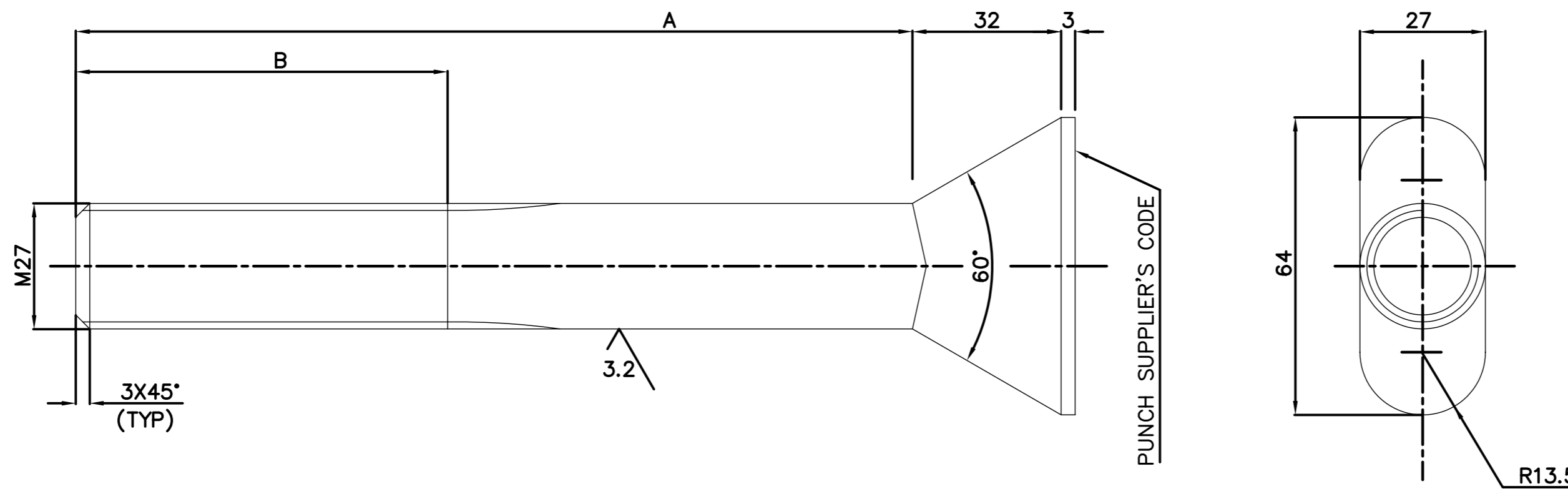


DRG. NO. 2-62-104-50023

3.2 / 6.3



VAR NO.	LONG A	LONG B	SCREW WEIGHT Kg	NUT WEIGHT Kg	WASHER WEIGHT Kg	TOTAL WEIGHT Kg
01	265	80	1.485	0.202	0.062	1.749
02	180	80	1.105	0.202	0.062	1.369
03	165	80	1.035	0.202	0.062	1.299
04	110	80	0.788	0.202	0.062	1.052
05	100	80	0.74	0.202	0.062	1.004
06	240	80	1.422	0.202	0.062	1.686
07	160	80	1.03	0.202	0.062	1.29

ITEM NO.	DESCRIPTION	DRAWING NO.	VAR. NO.	RAW MATERIAL SIZE OR CASTING DRG. NO. OR FORGING DRG. NO.	MATERIAL CODE	NET WT.	GROSS WT.
01	BOLT		07	M27X160	BA9413303177 AA19333	1.03	1
01	BOLT		06	M27X240	BA9413303169 AA19333	1.42	1
01	BOLT		05	M27X100	BA9413303150 AA19333	0.74	1
01	BOLT		04	M27X110	BA9413303100 AA19333	0.788	1
01	BOLT		03	M27X165	BA9413303096 AA19333	1.035	1
01	BOLT		02	M27X180	BA9413303088 AA19333	1.105	1
01	BOLT		01	M27X265	BA9413303070 AA19333	1.485	1
					MATERIAL SPECN.	QUANTITY	

NOTE:

1. MATERIAL TO BE HEAT TREATED TO RETAIN THE MECHANICAL PROPERTIES AS GIVEN IN THE SPECIFICATION.
2. BREAK SHARP EDGES.

REV.	DATE	ALTERED CHD.	APPD.	REV.	DATE	ALTERED CHD.	APPD.	REV.	DATE	ALTERED CHD.	APPD.
				04	3.8.02						

DRAWING REDRAWN ON AUTOCAD INCORPORATING EARLIER CHANGES.

THE FOLLOWING CONDITIONS APPLY EXCEPT OTHERWISE STATED.

1. REF. TO HY0230261 FOR UNSPECIFIED TOLERANCES.
2. CHAMFER M/CD. SHARP EDGES AT 45°.
3. INTERNAL M/CD. CORNER RADII 1 TO 0.7
4. THE SURFACE ROUGHNESS WHERE-EVER NOT SHOWN SHALL BE TAKEN FROM THE SURFACE ROUGHNESS SHOWN OUT SIDE THE BACK SLASH GIVEN OR THE TOP MOST RIGHT CORNER OF THE DRG.

TYPE OF PRODUCT: BBD 4772/4760 TUBE MILL
 NAME OF CUSTOMER/PROJECT: BBD 4772/4760 TUBE MILL

DRN.	NAME	DATE	NO. OF VAR.
RAZVI		3.8.02	
CHD.	G.S.N.M.R.	3.8.02	07
APPD.	T.M.R.	3.8.02	

DEPT. PULV ENGG. CODE 446

UNTO. DIMS. GR. $\phi/M/\#$

SCALE 1:5

WEIGHT (KG) 7.603

REF. TO ASSY DRG. 0.62.109.50721

ITEM NO. 10,11,12,13

NO. OF ITEMS 39

TITLE: MILL LINER BOLT M27

DRAWING NO. 2-62-104-50023

REV. 04

SHEET NO. 01 NO OF SHEETS 01

INVENTORY NO. SIGN. AND DATE REF. DRG. NO. COMPUTER FILE NAME 26250023.DWG THE INFORMATION ON THIS DOCUMENT IS THE PROPERTY OF BHARAT HEAVY ELECTRICALS LIMITED. IT MUST NOT BE USED DIRECTLY OR INDIRECTLY IN ANY WAY DETRIMENTAL TO THE INTEREST OF THE COMPANY