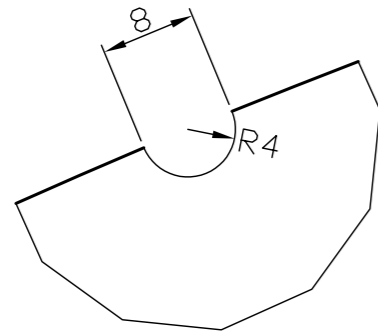


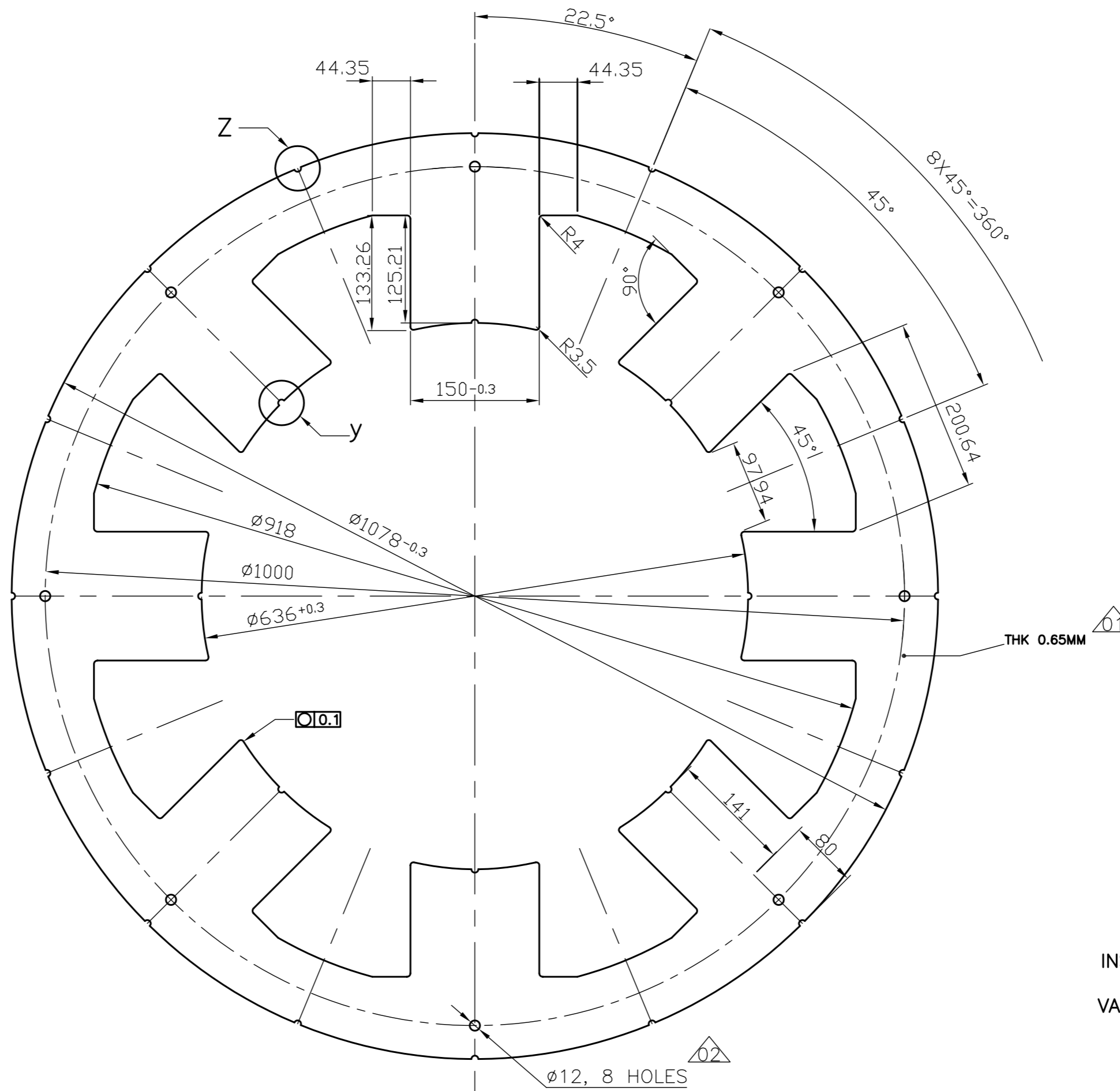
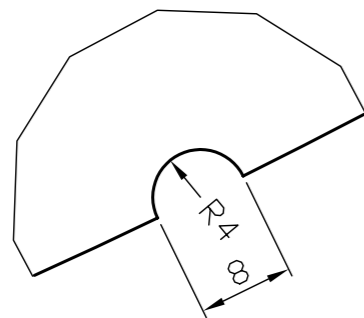
DRG. NO. 0-142-04-31007/02  
SHT. 01 OF 01

THE INFORMATION ON THIS DOCUMENT IS THE PROPERTY OF BHARAT HEAVY ELECTRICALS LIMITED. IT MUST NOT BE USED DIRECTLY OR INDIRECTLY IN ANY WAY DETRIMENTAL TO THE INTEREST OF THE COMPANY

DETAIL-Z



DETAIL-Y



INSULATING VARNISH:- 2 COATS OF CORE PLATE  
VARNISH 4000 OF DR. BECK & CO. BOTH SIDES.

INVENTORY NO. SIGN AND DATE REF. DRG. NO. 2-420926 COMPUTER FILE NAME

TYPE OF PRODUCT OR NAME OF CUSTOMER/PROJECT		ELR 62/19-36/8-2S					
DEPT. CODE		BHARAT HEAVY ELECTRICALS LTD. HYDERABAD		NAME	SIGNATURE	DATE	NO. OF VAR.
				DRN.	UMA SRINIVAS	07.07.09	
				CHD.	S J REDDY	07.07.09	-NA-
				APPD.	K K ROY	07.07.09	
REV.	DATE	ALTERED	REV.	DATE	ALTERED	REV.	DATE
01	23.10.09	-LAMINATION THICKNESS CHANGED TO 0.65MM FROM 0.5MM. -4 NO. OF 12MM DIA HOLES INCLUDED FOR CORE CLAMPING.	02	17.05.10	ADDITIONAL-4 (TOTAL-8) NO. OF 12MM DIA HOLES INCLUDED FOR CORE CLAMPING.	01	23.10.09
TITLE		DRAWING NO.		REV.			
MAIN POLE LAMINATION		2-14204-31007		02			
CARD CODE		SHT. No 01		NO. OF SHT. 01			