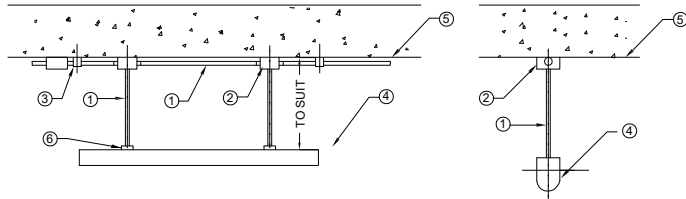


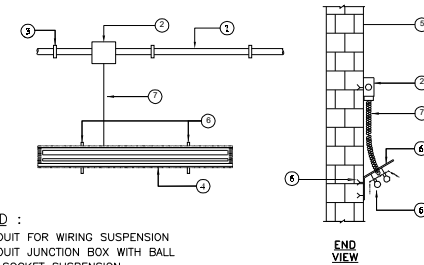
**FALSE CEILING MOUNTING TYPE
LED 2X2 (TYPE-A)**



LEGEND :

1. CONDUIT FOR WIRING/FITTING SUSPENSION
2. CONDUIT JUNCTION BOX WITH BALL AND SOCKET SUSPENSION.
3. GALVANISED SADDLE AND SPACER
4. LIGHTING FITTING
5. CEILING
6. CHECK NUT.

**SUSPENDED MOUNTING TYPE
LED BATTEN (TYPE B)**



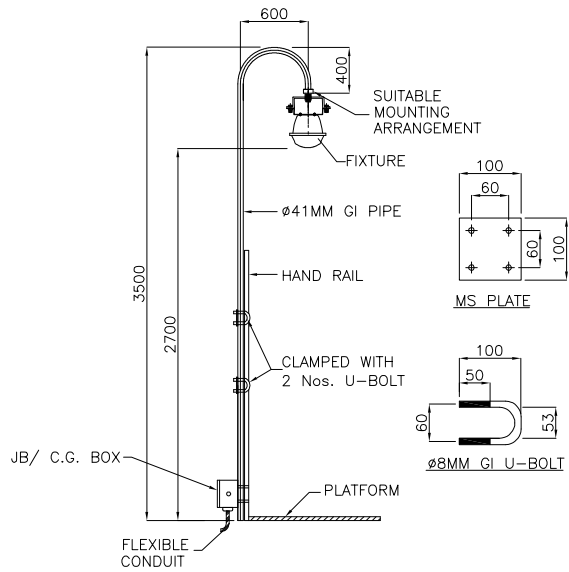
LEGEND :

1. CONDUIT FOR WIRING SUSPENSION
2. CONDUIT JUNCTION BOX WITH BALL AND SOCKET SUSPENSION
3. GALVANISED SADDLE AND SPACER
4. LIGHTING FITTING TYPE FC06/FC81/FC32LED/FC06LED
5. WALL
6. 35x3 GI FLAT
7. Ø20MM GI FLEXIBLE CONDUIT
8. M4X30 ANCHOR FASTNER

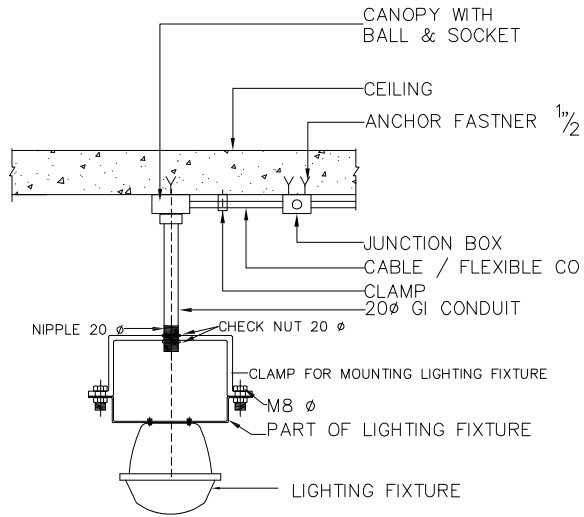
**WALL MOUNTING TYPE
LED BATTEN (TYPE C)**

REV	ALTD	CHD	APPD	DATE	NTPC DOCUMENT NO: 4540-001-215-PVE-B-118						
					CUSTOMER	N T P C LIMITED					
					PROJECT	2X660MW TALCHER THERMAL POWER PROJECT LTD. STAGE-III					
					JOB NO. 497	BHARAT HEAVY ELECTRICALS LIMITED POWER SECTOR PROJECT ENGINEERING MANAGEMENT NOIDA(U.P.) INDIA	DPT	DRN	NAME	SIGN	DATE
							DSN				
							CODE-E	CHD			
							APP				
					DW T. to. PE-V0-497-558-E032						
					SHT. 01 OF REV.0						

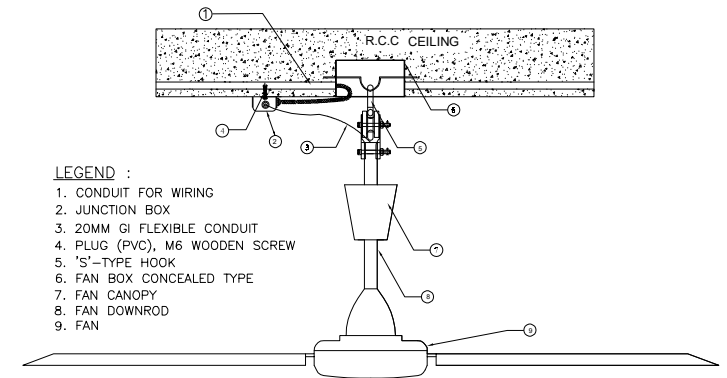
NOTES:	REV	DATE	DRAWN BY	CHECKED BY	APPROVED BY	REMARKS	MATERIAL -		DRAWN BY:	PO. NO.	THIRD ANGLE	KALINGIA ILLUMINATION PVT. LTD.			
1. Fixture should be free from burrs, edges.						AS PER COMMENT	THICKNESS -			PO-236/24		KALINGIA ILLUMINATION PVT. LTD.			
2. All parameter should be under spec.							WEIGHT -		CHECKED BY:	Model No KIBPLS 48		Plot No: 15/3/2, Site-IV, Sahibabad industrial Area ghaziabad Uttar pradesh 201010			
3. Fixtures to be packed properly they are protected from scratch.							COLOR		APPROVED BY:	DEPT. LIGHTING	TOLERANCE	DRAWING NAME:		DWG NO: KIWP44W	
4. All dimension in mm(mili meter).							QUANTITY -		DATE:	SCALE	NTS	MOUNTING ARRANGEMENT DRAWINGS		SHEET	REV. NO. 00 A4
5. The connecting wires used inside the system, shall be low smoke halogen free, fire retardant type and fuse protection shall be provided in input side specifically for LED luminaire.												PATH: -			



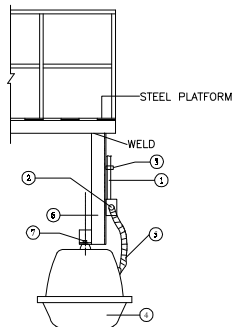
**HANDRAIL LIGHTING POLE
WELL GLASS (TYPE-F)**



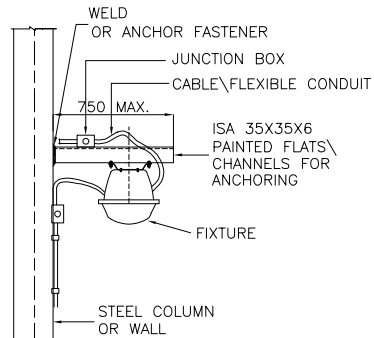
**CEILING MOUNTING TYPE
WELL GLASS FLAME PROOF (TYPE-G)**



CEILING MOUNTED FAN



**STRUCTURE MOUNTING TYPE
WELL GLASS (TYPE-H)**



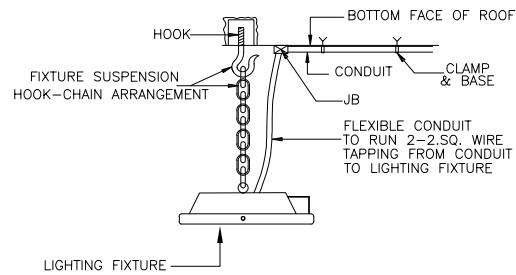
**WALL/COLUMN MOUNTING TYPE
WELL GLASS (TYPE-I)**

LEGEND :

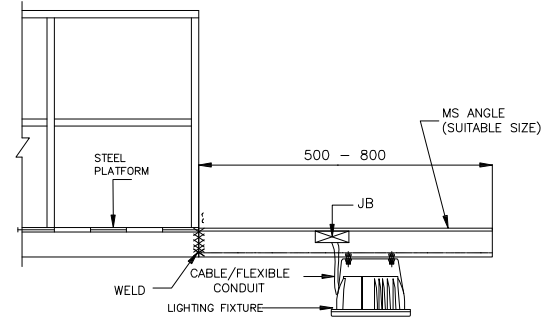
1. CONDUIT FOR WIRING
2. CONDUIT JUNCTION BOX
3. GALVANISED SADDLE AND SPACER
4. LIGHTING FITTING TYPE SW41LED/SW42LED
5. 20MM GI FLEXIBLE CONDUIT COUPLER
6. ISA 50x50x6
7. I- BOLT IS FIXED WITH NUT, BOLT & WASHER

REV	ALTD	CHD	APPD	DATE	NTPC DOCUMENT NO: 4540-001-215-PVE-B-118						
					CUSTOMER	N T P C LIMITED					
					PROJECT	2X660MW TALCHER THERMAL POWER PROJECT LTD. STAGE-III					
					JOB NO. 497	BHARAT HEAVY ELECTRICALS LIMITED POWER SECTOR PROJECT ENGINEERING MANAGEMENT NOIDA(U.P) INDIA	DPT CODE-E	DRN DSN CHD APP	NAME	SIGN	DATE
					DW T. to. PE-V0-497-558-E032						
					SHT. 01 OF REV.0						

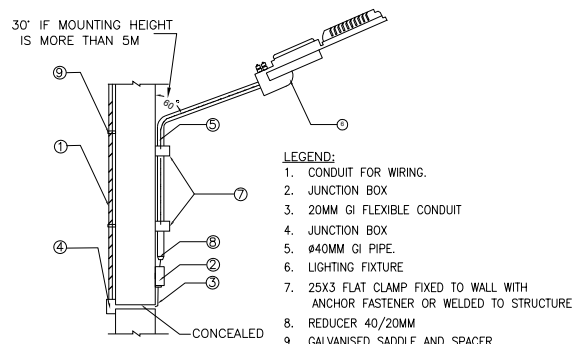
NOTES:	REV	DATE	DRAWN BY	CHECKED BY	APPROVED BY	REMARKS	MATERIAL -	THICKNESS -	DRAWN BY:	PO. NO.	PO-236/24	THIRD ANGLE	KALINGIA ILLUMINATION PVT. LTD.		
1. Fixture should be free from burrs, edges.						AS PER COMMENT							KALINGIA ILLUMINATION PVT. LTD.		
2. All parameter should be under spec.													Plot No: 15/3/2, Site-IV, Sahibabad industrial Area ghaziabad Uttar pradesh 201010		
3. Fixtures to be packed properly they are protected from scratch.													DRAWING NAME:		DWG NO: KIWP44W
4. All dimension in mm(mili meter).													MOUNTING ARRANGEMENT DRAWINGS		SHEET
5. The connecting wires used inside the system, shall be low smoke halogen free, fire retardant type and fuse protection shall be provided in input side specifically for LED luminaire.														REV. NO. 00	A4
													PATH: -		



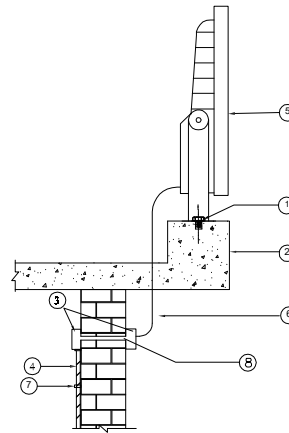
**CEILING MOUNTING TYPE
HIGH BAY/LOW BAY (TYPE-J)**



**STRUCTURE MOUNTING TYPE
HIGH BAY/LOW BAY (TYPE-K)**

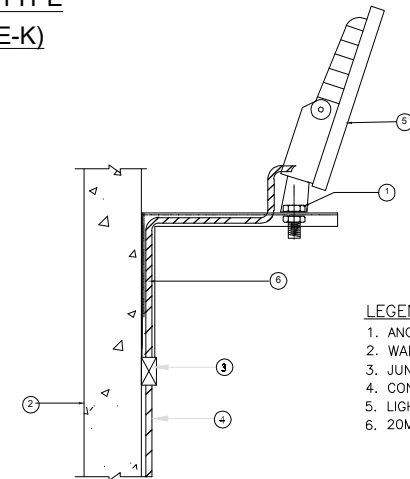


**WALL/STEEL COLUMN MOUNTING TYPE
STREET LIGHT (TYPE-L)**



**ROOF TOP MOUNTING TYPE
FLOOD LIGHT (TYPE-M)**

- LEGEND :**
1. ANCHOR FASTNER
 2. ROOF
 3. JUNCTION BOX
 4. CONDUIT
 5. LIGHTING FIXTURE
 6. 20MM GI FLEXIBLE CONDUIT
 7. SADDLE
 8. CONDUIT CONCEALED



**WALL/STRUCTURE MOUNTING TYPE
FLOOD LIGHT (TYPE-N)**

- LEGEND :**
1. ANCHOR FASTNER
 2. WALL/STRUCTURE
 3. JUNCTION BOX
 4. CONDUIT
 5. LIGHTING FIXTURE
 6. 20MM GI FLEXIBLE CONDUIT

REV	ALTD	CHD	APPD	DATE	NTPC DOCUMENT NO: 4540-001-215-PVE-B-118						
					CUSTOMER	N T P C LIMITED					
					PROJECT	2X660MW TALCHER THERMAL POWER PROJECT LTD. STAGE-III					
					JOB NO. 497	BHARAT HEAVY ELECTRICALS LIMITED POWER SECTOR PROJECT ENGINEERING MANAGEMENT NOIDA(U.P) INDIA	DPT	DRN	NAME	SIGN	DATE
							CODE-E	CHD			
					DW T. to. PE-V0-497-558-E032						
					SHT. 01 OF REV.0						

NOTES:	REV	DATE	DRAWN BY	CHECKED BY	APPROVED BY	REMARKS	MATERIAL -	DRAWN BY:	PO. NO.	THIRD ANGLE	KALINGIA ILLUMINATION PVT. LTD.			
1. Fixture should be free from burrs, edges.						AS PER COMMENT	THICKNESS -		PO-236/24		KALINGIA ILLUMINATION PVT. LTD.			
2. All parameter should be under spec.							WEIGHT -	CHECKED BY:	Model No	KIBPLS 48	Plot No: 15/3/2, Site-IV, Sahibabad industrial Area ghaziabad Uttar pradesh 201010			
3. Fixtures to be packed properly they are protected from scratch.							COLOR	APPROVED BY:	DEPT.	LIGHTING	TOLERANCE	DRAWING NAME:		DWG NO: KIWP44W
4. All dimension in mm(milli meter).							QUANTITY -	DATE:	SCALE		NTS	MOUNTING ARRANGEMENT DRAWINGS		SHEET
5. The connecting wires used inside the system, shall be low smoke halogen free, fire retardant type and fuse protection shall be provided in input side specifically for LED luminaire.												REV. NO. 00		A4
PATH: -														