

Technical Specifications for Telescopic cover for Safop X-Axis

Technical Specifications

Telescopic cover for Safop X-Axis

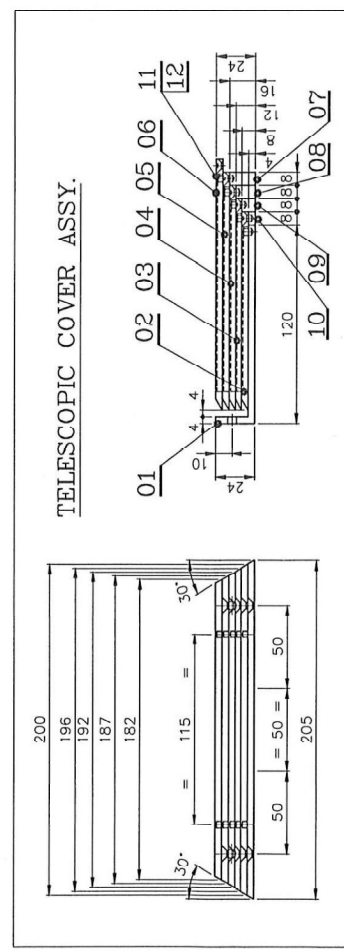
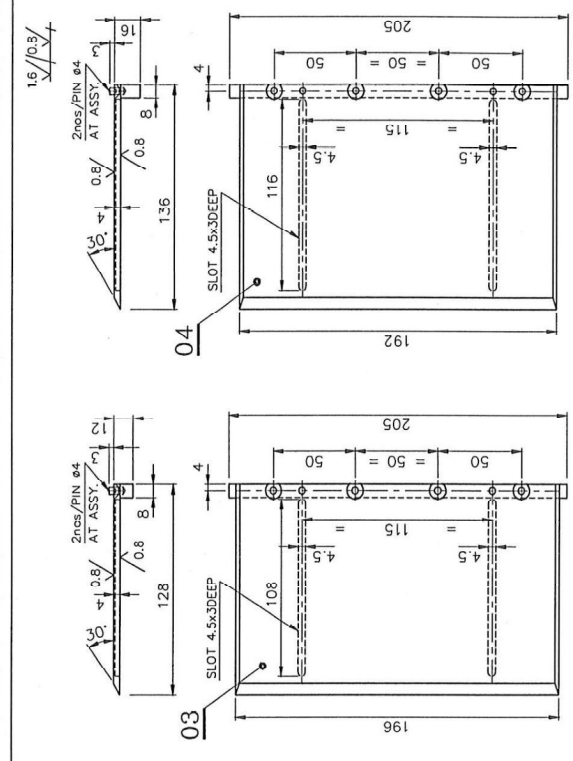
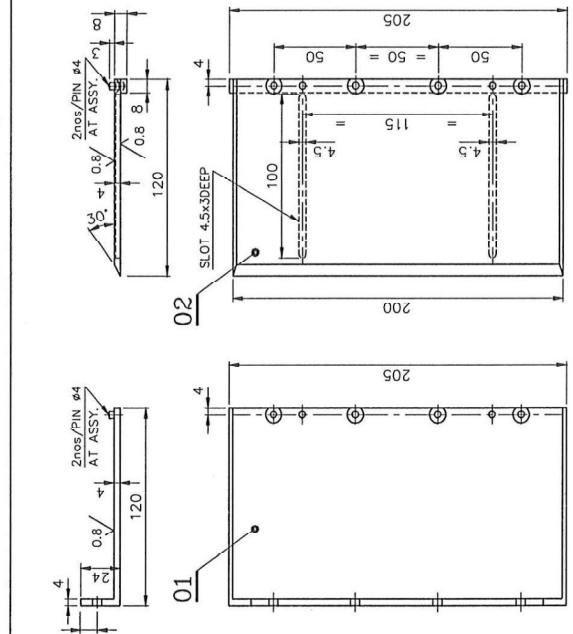
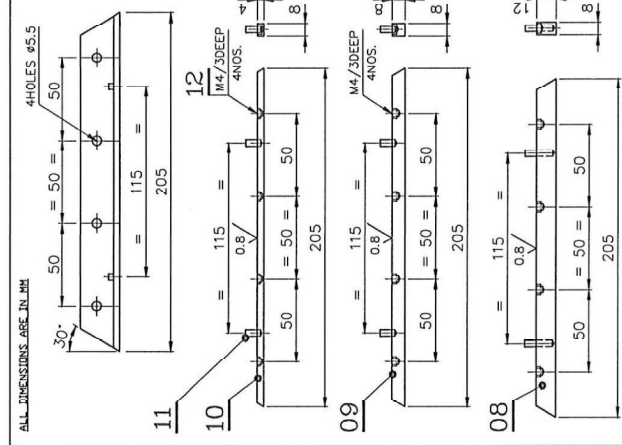
Telescopic cover for X-Axis of Safop pipe chamfering machine as per drawing no:2M12B2304829

The drawing is only for reference.

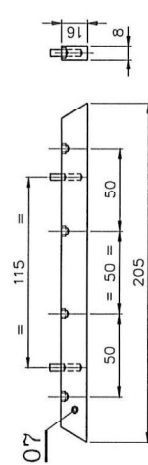
Note:

- 1) Drawings are for reference purpose only. Bidders may visit BHEL PPPU, Thirumayam for more clarity regarding purpose and fitting area, before submission of offer.
- 2) Dimensions with more detailing may be taken by the bidder/s at our works prior to starting manufacturing.
- 3) Exposed machined surfaces (Metal Part) shall be coated with rust preventive oil.
- 4) The successful bidder is required to install/fix the supplied telescopic cover in the machine at BHEL PPPU Thirumayam.
- 5) Vendor has to submit material composition certificate from NABL certified laboratory along with supplied materials.

CAUTION: THIS DRAWING IS OUR SOLE PROPERTY AND SHOULD NOT BE USED IN ANY FORM FOR ANY PURPOSE WITHOUT THE WRITTEN PERMISSION OF TRIPURAVALI - 620 014.



TELESCOPIC COVER ASSY.



NOTE: CORNERS TO BE CHAMFERED 2/45°

REV.	DESCRIPTION	DATE	BY	CHECKED	DATE	BY	APPROVED	DATE	BY	TITLE	SCALE	DRW. NO.	ISS. NO.	ISS. DATE	STOCK NO.	QTY.	UNIT	REMARKS
01	PL. 4.1x140x205	09.01.2019	St. 34	St. 34	09.01.2019	St. 34	St. 34	09.01.2019	St. 34	TELESCOPIC COVER ASSY. (X-AXIS)	1:2	2MI12B2304829	2304829	09.01.2019	St. 34	1	PL	
02	PL. 4.1x140x205	09.01.2019	St. 34	St. 34	09.01.2019	St. 34	St. 34	09.01.2019	St. 34					09.01.2019	St. 34	1	PL	
03	PL. 4.1x140x205	09.01.2019	St. 34	St. 34	09.01.2019	St. 34	St. 34	09.01.2019	St. 34					09.01.2019	St. 34	1	PL	
04	PL. 4.1x140x205	09.01.2019	St. 34	St. 34	09.01.2019	St. 34	St. 34	09.01.2019	St. 34					09.01.2019	St. 34	1	PL	
05	PL. 4.1x140x205	09.01.2019	St. 34	St. 34	09.01.2019	St. 34	St. 34	09.01.2019	St. 34					09.01.2019	St. 34	1	PL	
06	PL. 4.1x140x205	09.01.2019	St. 34	St. 34	09.01.2019	St. 34	St. 34	09.01.2019	St. 34					09.01.2019	St. 34	1	PL	
07	PL. 8.1x16x205	09.01.2019	St. 34	St. 34	09.01.2019	St. 34	St. 34	09.01.2019	St. 34					09.01.2019	St. 34	1	PL	
08	PL. 8.1x12x205	09.01.2019	St. 34	St. 34	09.01.2019	St. 34	St. 34	09.01.2019	St. 34					09.01.2019	St. 34	1	PL	
09	PL. 8.1x8x205	09.01.2019	St. 34	St. 34	09.01.2019	St. 34	St. 34	09.01.2019	St. 34					09.01.2019	St. 34	1	PL	
10	PIN 4x6L	09.01.2019	St. 34	St. 34	09.01.2019	St. 34	St. 34	09.01.2019	St. 34					09.01.2019	St. 34	1	PIN	
11	CSK SCREW M4x2L	09.01.2019	St. 34	St. 34	09.01.2019	St. 34	St. 34	09.01.2019	St. 34					09.01.2019	St. 34	1	CSK SCREW	
12	CSK SCREW M4x3DEEP	09.01.2019	St. 34	St. 34	09.01.2019	St. 34	St. 34	09.01.2019	St. 34					09.01.2019	St. 34	1	CSK SCREW	