

95110 00 699 E : ON GRD

102

103

104

105

106

107

108

**NOTES:-**

1. WHEN REFERRING THIS DRAWING PLEASE QUOTE MVAR & W.O. NO.
2. 320 DIA. TWIN BI-DIRECTIONAL ROLLERS MOUNTED AT 1676 mm RAIL GAUGE IN BOTH DIRECTION ARE PROVIDED FOR MOVEMENT OF REACTOR AT SITE AND ROLLERS ARE TO BE REMOVED BEFORE ERECTION
3. PAINTING AT OUTSIDE THE REACTOR TANK & COOLER CONTROL CABINET IS AS PER SHADE NO. RAL 5012.
4. WIRING FROM INSTRUMENT CTS. ETC. ARE NOT SHOWN FOR CLARITY.
5. FOUNDATION BOLTS ARE IN THE SCOPE OF BHEL SUPPLY.
6. FOR PART LIST OF OGA REFER DRAWING NO. 3 469 00 01757.
7. DIMNS. SHOWN THUS  ARE OVERALL SHIPPING DIMENSIONS EXCLUSIVE OF PACKING.
8. DIMENSIONS SHOWN ARE WITH REF. TO PLINTH LEVEL. PLEASE NOTE THAT PLINTH LEVEL IS 450 MM ABOVE THE GROUND LEVEL.
9. FOR TANK COVER BOLTED REFER DETAIL 'B' SHT. NO. 03.

**IMPORTANT NOTE :-**

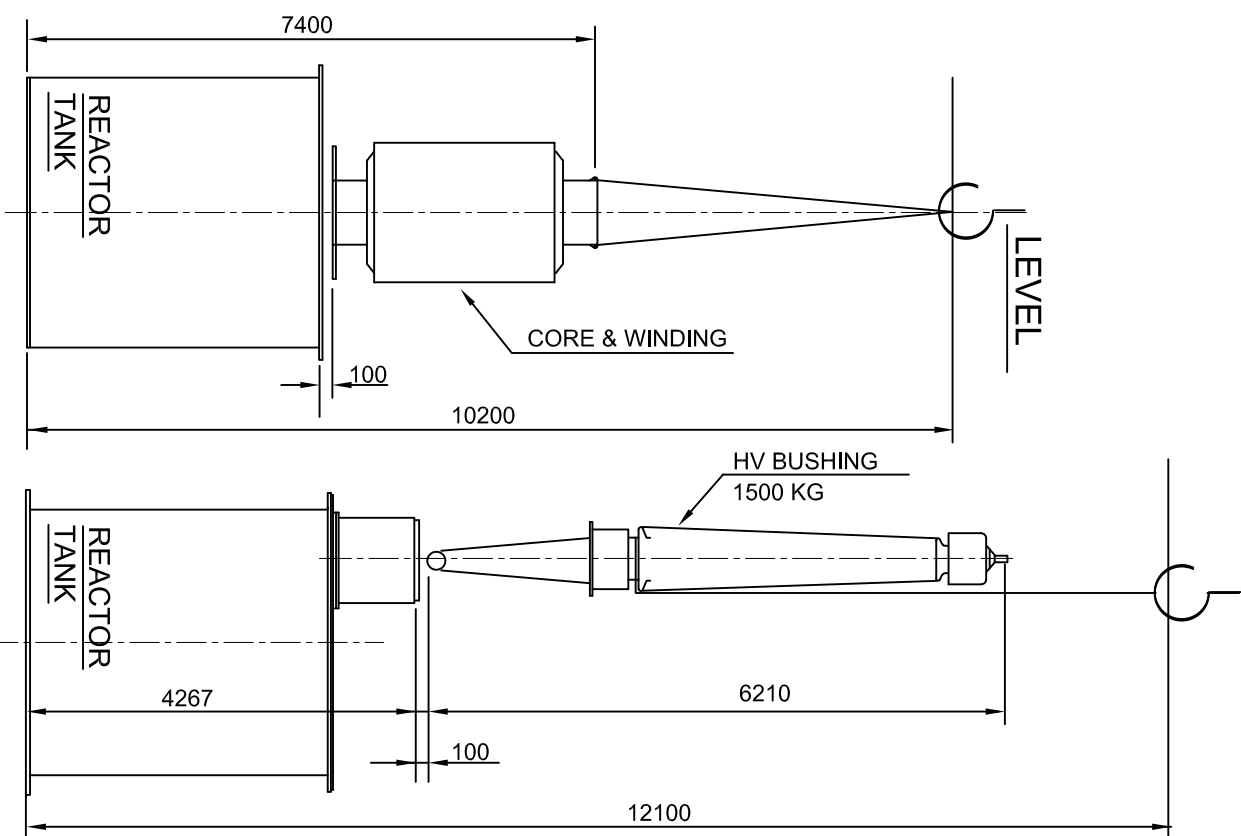
1. THE DESIGN FEATURES SHOWN ON THIS DRAWING (GENERALLY INLINE WITH IEC : 60076-6 APPLICABLE STANDARD & AGREED CUSTOMER SPECIFICATION) MEETS THE STATUTORY, REGULATORY & SAFETY REQUIREMENTS WITH RESPECT TO EARTHING ARRANGEMENT, DANGER & OTHER LABELS, CLEARANCES IN AIR PROVISION FOR PRESSURE RELIEF DEVICE, GAS ACTUATED RELAY AND ANTI-EARTHQUAKE CLAMPING ARRANGEMENT.

MIN. AIR CLEARANCES		
420 KV	145 KV	
PHASE TO PHASE	4000	NA
PHASE TO EARTH	3500	1050

**TABLE**

**SUB ASSY. MK NOS.**

SUB ASSY	MK-01	MK-02	MK-03	MK-04	MK-05	MK-06	MK-07	MK-08	MK-09	MK-10	MK-11	MK-12	MK-13	MK-14	MK-15	MK-16	MK-17	MK-18	MK-19	MK-20	MK-21	MK-22	MK-23	MK-24	MK-25
QTY.	002	001	001	001	001	001	001	001	001	001	001	001	001	001	001	001	001	001	001	001	001	002	001	001	001



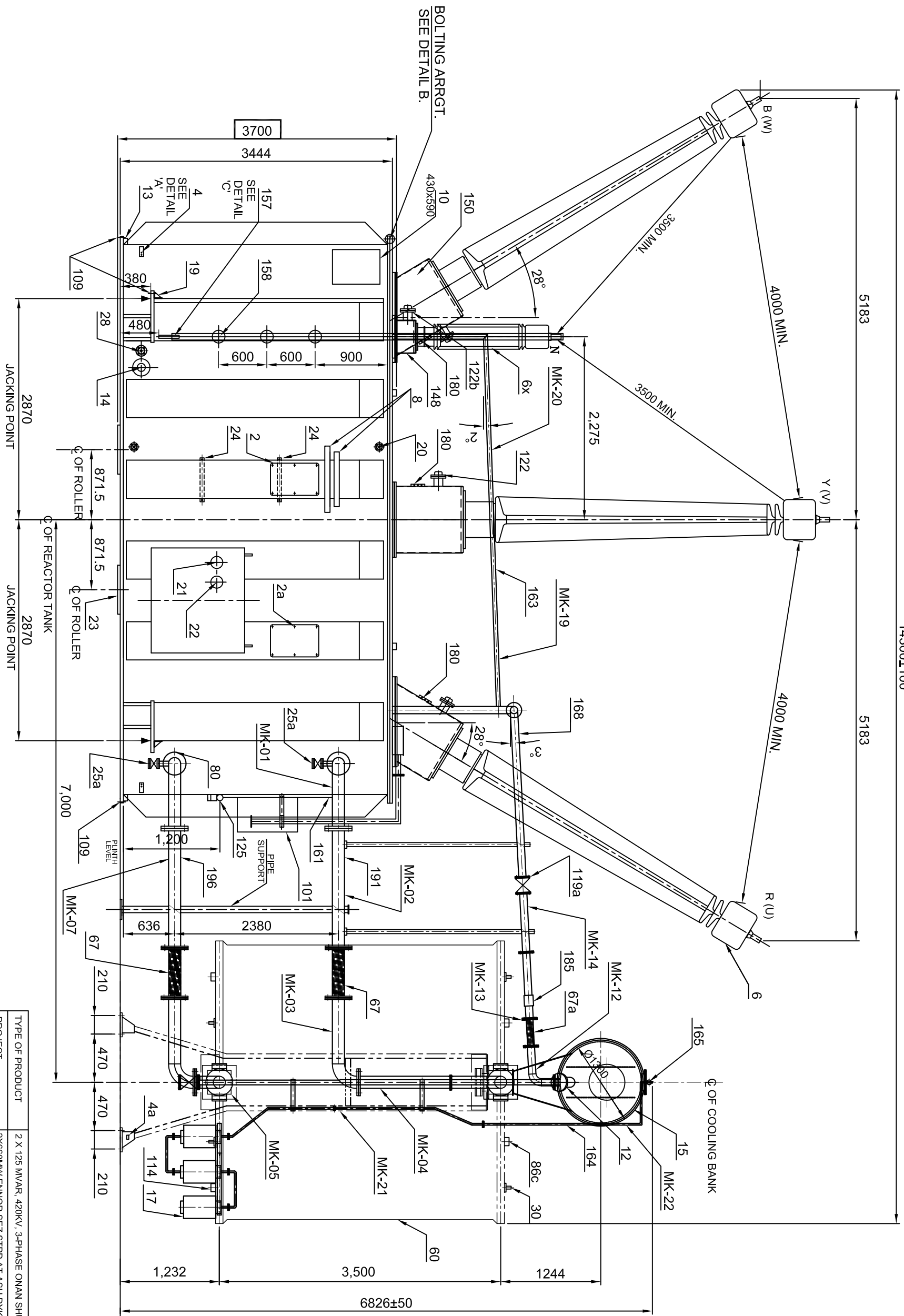
INVENTORY NO.	SIGN. DATE	REF.WO.NO. 63003-P-517-01 REF.DRG.NO. 3 469 00 01468	THE INFORMATION ON THIS DOCUMENT IS THE PROPERTY OF BHARAT HEAVY ELECTRICALS LTD. IT MUST NOT BE USED DIRECTLY OR INDIRECTLY IN ANY WAY DETRIMENTAL TO THE INTEREST OF THE COMPANY.																																																																	
<table border="1"> <thead> <tr> <th>A</th> <th>REV</th> <th>DATE</th> <th>ALT.</th> <th>REV</th> <th>DATE</th> <th>ALT.</th> <th>REV</th> <th>DATE</th> <th>ALT.</th> <th>REV</th> <th>DATE</th> <th>ALT.</th> <th>REV</th> <th>DATE</th> <th>ALT.</th> </tr> </thead> <tbody> <tr> <td rowspan="2">ZONE</td> <td>CKD.</td> <td></td> <td></td> <td>CKD.</td> <td></td> <td></td> <td>CKD.</td> <td></td> <td></td> <td>CKD.</td> <td></td> <td></td> <td>CKD.</td> <td></td> <td></td> </tr> <tr> <td>APPD.</td> <td></td> <td></td> <td>APPD.</td> <td></td> <td></td> <td>APPD.</td> <td></td> <td></td> <td>APPD.</td> <td></td> <td></td> <td>APPD.</td> <td></td> <td></td> </tr> </tbody> </table>		A	REV	DATE	ALT.	REV	DATE	ALT.	REV	DATE	ALT.	REV	DATE	ALT.	REV	DATE	ALT.	ZONE	CKD.			CKD.			CKD.			CKD.			CKD.			APPD.			APPD.			APPD.			APPD.			APPD.			<table border="1"> <thead> <tr> <th>B</th> <th>101</th> <th>102</th> <th>103</th> <th>104</th> <th>105</th> <th>106</th> <th>107</th> <th>108</th> </tr> </thead> <tbody> <tr> <td>ZONE</td> <td></td> <td></td> <td></td> <td></td> <td></td> <td></td> <td></td> <td></td> </tr> </tbody> </table>		B	101	102	103	104	105	106	107	108	ZONE								
A	REV	DATE	ALT.	REV	DATE	ALT.	REV	DATE	ALT.	REV	DATE	ALT.	REV	DATE	ALT.																																																					
ZONE	CKD.			CKD.			CKD.			CKD.			CKD.																																																							
	APPD.			APPD.			APPD.			APPD.			APPD.																																																							
B	101	102	103	104	105	106	107	108																																																												
ZONE																																																																				
<table border="1"> <tr> <td>BHEL TBG</td> <td>TB-378-316-103-01</td> </tr> <tr> <td>W.O. - 65002-A-517-01</td> <td></td> </tr> <tr> <td>STATUS OF DRAWING</td> <td>HPR</td> </tr> <tr> <td>DISTRIBUTION OF PRINTS</td> <td>TRE-1, TRM-3</td> </tr> </table>		BHEL TBG	TB-378-316-103-01	W.O. - 65002-A-517-01		STATUS OF DRAWING	HPR	DISTRIBUTION OF PRINTS	TRE-1, TRM-3	<table border="1"> <tr> <td>CE/PE/MP/EE-10/EP/FF-2X660MW</td> <td>ENNORE SEZ STPP/D60DT 27.09.2014.</td> </tr> </table>		CE/PE/MP/EE-10/EP/FF-2X660MW	ENNORE SEZ STPP/D60DT 27.09.2014.																																																							
BHEL TBG	TB-378-316-103-01																																																																			
W.O. - 65002-A-517-01																																																																				
STATUS OF DRAWING	HPR																																																																			
DISTRIBUTION OF PRINTS	TRE-1, TRM-3																																																																			
CE/PE/MP/EE-10/EP/FF-2X660MW	ENNORE SEZ STPP/D60DT 27.09.2014.																																																																			
<table border="1"> <tr> <td>OWNER</td> <td>TAMILNADU GENERATION &amp; DISTRIBUTION CORPORATION LTD</td> </tr> <tr> <td>CONSULTANT</td> <td>DESIGN PRIVATE LIMITED (DESIGN HOUSE NEW DELHI)</td> </tr> </table>		OWNER	TAMILNADU GENERATION & DISTRIBUTION CORPORATION LTD	CONSULTANT	DESIGN PRIVATE LIMITED (DESIGN HOUSE NEW DELHI)	<table border="1"> <tr> <td>TYPE OF PRODUCT</td> <td>2 X 125 MVAR, 420KV, 3-PHASE ONAN SHUNT REACTOR.</td> </tr> <tr> <td>PROJECT</td> <td>2X660MW ENNORE SEZ STPP AT ASH DYKE OF NCTPS, CHENNAI.</td> </tr> </table>		TYPE OF PRODUCT	2 X 125 MVAR, 420KV, 3-PHASE ONAN SHUNT REACTOR.	PROJECT	2X660MW ENNORE SEZ STPP AT ASH DYKE OF NCTPS, CHENNAI.																																																									
OWNER	TAMILNADU GENERATION & DISTRIBUTION CORPORATION LTD																																																																			
CONSULTANT	DESIGN PRIVATE LIMITED (DESIGN HOUSE NEW DELHI)																																																																			
TYPE OF PRODUCT	2 X 125 MVAR, 420KV, 3-PHASE ONAN SHUNT REACTOR.																																																																			
PROJECT	2X660MW ENNORE SEZ STPP AT ASH DYKE OF NCTPS, CHENNAI.																																																																			
<table border="1"> <tr> <td>DRG. NO.</td> <td>3 469 00 01756</td> </tr> <tr> <td>REV.</td> <td>00</td> </tr> </table>		DRG. NO.	3 469 00 01756	REV.	00	<table border="1"> <tr> <td>DRG. NO.</td> <td>3 469 00 01756</td> </tr> <tr> <td>REV.</td> <td>00</td> </tr> </table>		DRG. NO.	3 469 00 01756	REV.	00																																																									
DRG. NO.	3 469 00 01756																																																																			
REV.	00																																																																			
DRG. NO.	3 469 00 01756																																																																			
REV.	00																																																																			

THE INFORMATION ON THIS DOCUMENT IS THE PROPERTY OF BHARAT HEAVY ELECTRICALS LTD. IT MUST NOT BE USED DIRECTLY OR INDIRECTLY IN ANY WAY DETRIMENTAL TO THE INTEREST OF THE COMPANY.

REF.WO.NO. 63003-P-517-01  
REF.DRG.NO. 3 469 00 01468

SIGN.DATE

INVENTORY NO.



REV	DATE	ALT.	REV	DATE	ALT.	REV	DATE	ALT.	REV	DATE	ALT.	REV	DATE	ALT.	REV	DATE	ALT.
CKD.			CKD.			CKD.			CKD.			CKD.			CKD.		
APPD.			APPD.			APPD.			APPD.			APPD.			APPD.		
ZONE			ZONE			ZONE			ZONE			ZONE			ZONE		
201			202			203			204			205			206		

DRAWING/DOCUMENT NO		BHEL TBG		TB-378-316-103-01	
ADDITIONAL INFORMATION		W.O. - 65002-A-517-01		STATUS OF DRAWING/PRINT	
PO. NO.		CE/P/SEM/PE-10/EP/PE-2X660MW		ENNORE SEZ STPP/DRG/DT 27.09.2014.	
OWNER		TAMILNADU GENERATION & DISTRIBUTION CORPORATION LTD		CONSULTANT	
PROJECT		2 X 125 MW, 420KV, 3-PHASE ONAN SHUNT REACTOR.		TYPE OF PRODUCT	
DEPT		BHARAT HEAVY ELECTRICALS LTD. BHOPAL		PROJECT	
CODE		406		PROJECT	
WEIGHT(Kg)		-----		PROJECT	
SCALE		COMP.SCALE:1:1		PROJECT	
TITLE		OUTLINE GENERAL ARRANGEMENT		PROJECT	
DRG. NO.		3 469 00 01756		PROJECT	
SHEET		02 OF 04		PROJECT	
NAME		MKP		PROJECT	
SIGN		[Signature]		PROJECT	
DATE		16.02.2017		PROJECT	
REV.		00		PROJECT	



