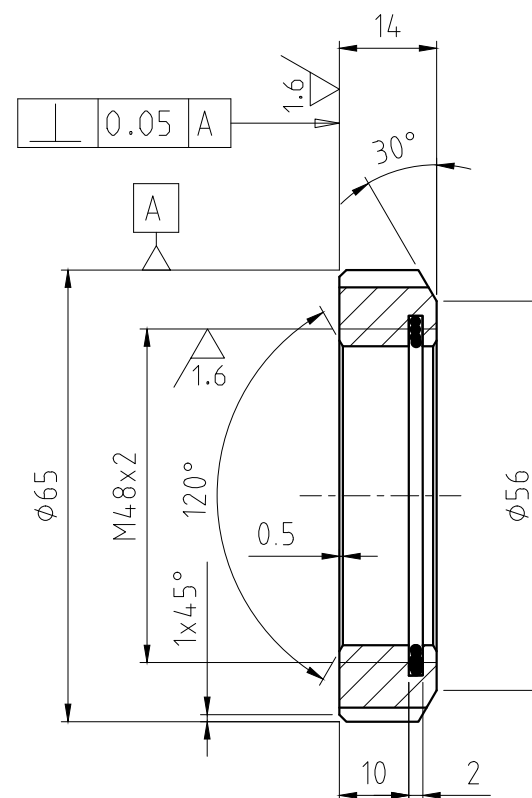
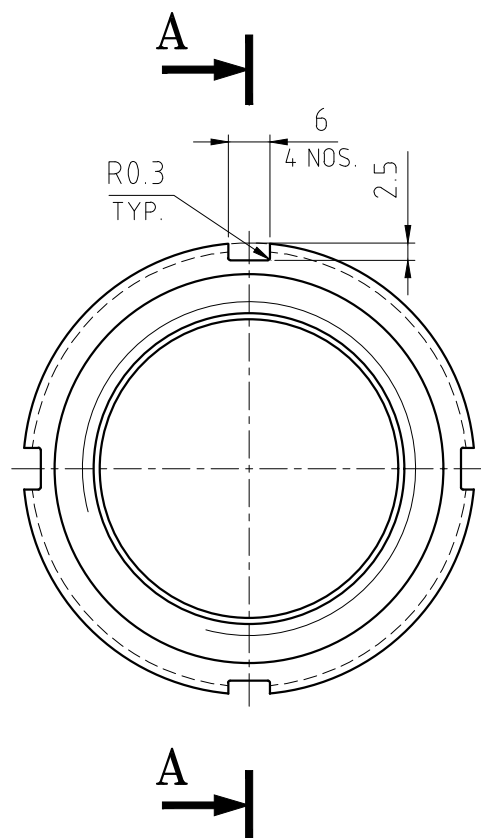


137617209
DRAWING No.

6.3 / ALL OVER EXCEPT OTHERWISE STATED



SECTION A-A

TECHNICAL REQUIREMENTS:-

- MATERIAL : MEDIUM CARBON STEEL 1040 Q/T WITH HRC 20-24.
- FINISH: CADMIUM PLATED OR ZINC WITH SUPPLEMENTARY NICKEL PLATING
- MATERIAL LOCKING INSERT ELEMENT: NYLON 6 WITH FOLLOWING PROPERTIES:
 SPECIFIC GRAVITY: 1.120-1.140
 TENSILE STRENGTH AT YIELD (KG/CM2): 700-800
 ELONGATION AT BREAK (%): 40-80
 ROCKWELL HARDNESS (RHR): 115-125
- THREAD DATA:
 MAJOR DIA 48.144-48.524
 PITCH DIA: 46.701-46.937
 MINOR DIA: 45.546-45.921

PROPRIETARY DATA OF OTO MELARA SPA LIMITED RIGHTS OF TECHNICAL DATA THE TECHNICAL DATA SET FORTH HEREIN IS SUBJECT TO THE TERMS AND CONDITIONS OF THE LICENSE AGREEMENT BETWEEN OTO MELARA SPA AND BHARAT HEAVY ELECTRICALS LTD. THE TECHNICAL DATA CONTAINED HEREIN IS RESTRICTED AS TO USE, DUPLICATION OR DISCLOSURE AS PER TERMS AND CONDITIONS OF THE LICENSE AGREEMENT.

Ref. Drawing No > 137617209-04

Sign & Date

Inventory No.

GENERAL TOLERANCES LINEAR DIMENSIONS UP TO 18 ±0.15 > 18 TO 80 ±0.25 > 80 ±0.4 ANGLES ±30'	CASTING TOLERANCES LINEAR DIMENSIONS ±(0.5%+1MM) THICKNESS ±8% (MIN. ±0.5mm) ANGLES ±2'	FORGING TOLERANCES LINEAR DIMENSIONS UP TO 18 +0.5-0.3 > 18 TO 80 +1 -0.5 > 80 +2 -0.8 ANGLES ±1'	UNLESS OTHERWISE SPECIFIED ROUND EDGES 0.3 AND CHAMFER 0.3x45' SURFACE MARKED -.-.- REQUIRE STOCK MATERIAL TO BE REMOVED AT ASSEMBLY
---	---	--	---

CBOM *****	STATUS OF DRG U
AGREED DEPT DABG-T	NAME SUMIT
SIGN Sd/-	DATE ****

TYPE OF PRODUCT OR NAME OF CUSTOMER/PROJECT **SRGM 76/62**

GRADE OF UNTOL.DIM
M/CG.-C/M/F AA0230208
WELDING-A/B/C/D AA0621104
GAS CUTTING-'T3'AA0621101

BHARAT HEAVY ELECTRICALS LTD.
RANIPUR, HARDWAR

DRN	NAME SANDEEP	SIGN Sd/-	DATE 11.6.2026	NO. OF VAR
CHD	VARDHMAN	Sd/-	11.6.2026	
APPD	SK SINGH	Sd/-	11.6.2026	

REV	DATE	ALTERED	REV	DATE	ALTERED	REV	DATE	ALTERED
		CHECKED			CHECKED			CHECKED

DEPT DPE CODE 4260 SCALE N.T.S. WEIGHT (KG) 0.2 REF. TO ASSY. DRG. ***** ITEM No. * NO. OF ITEMS -

TITLE : **ELASTIC RING / RING NUT** CARD CODE - DRAWING NO. **137617209** REV - SHEET No. 01 No. OF SHEETS 01

01