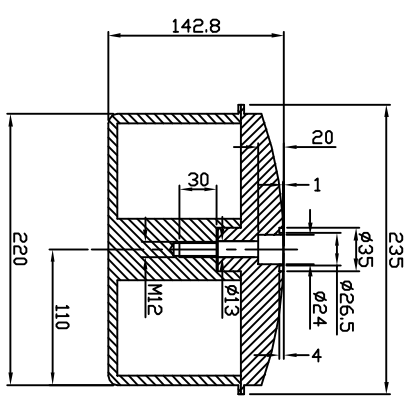
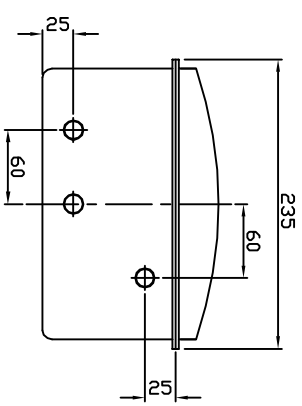
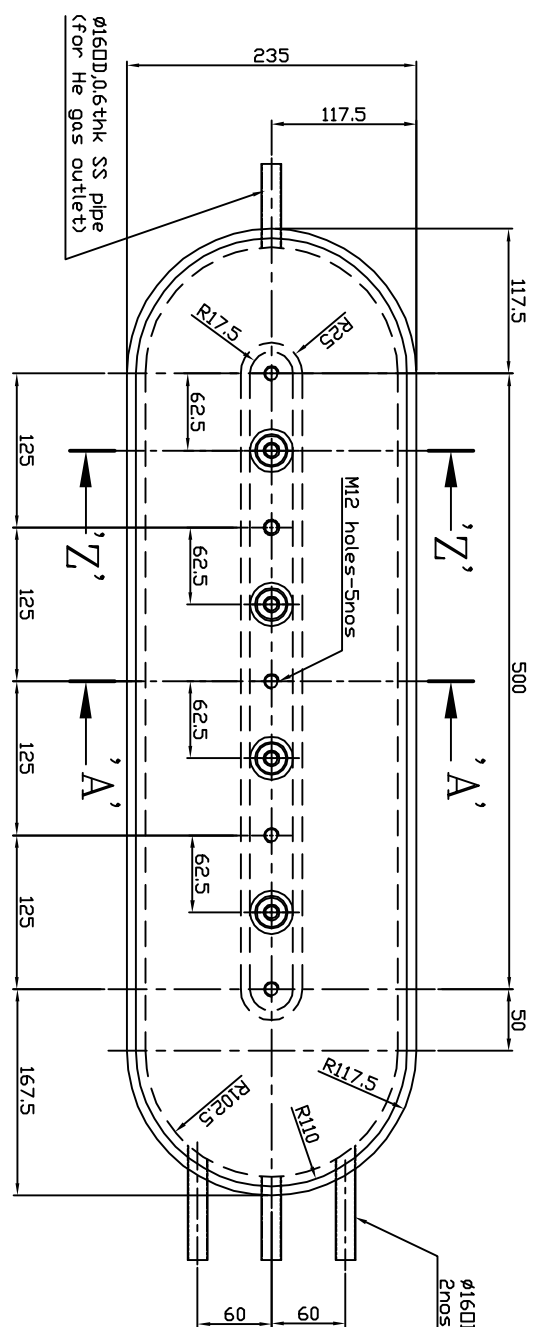
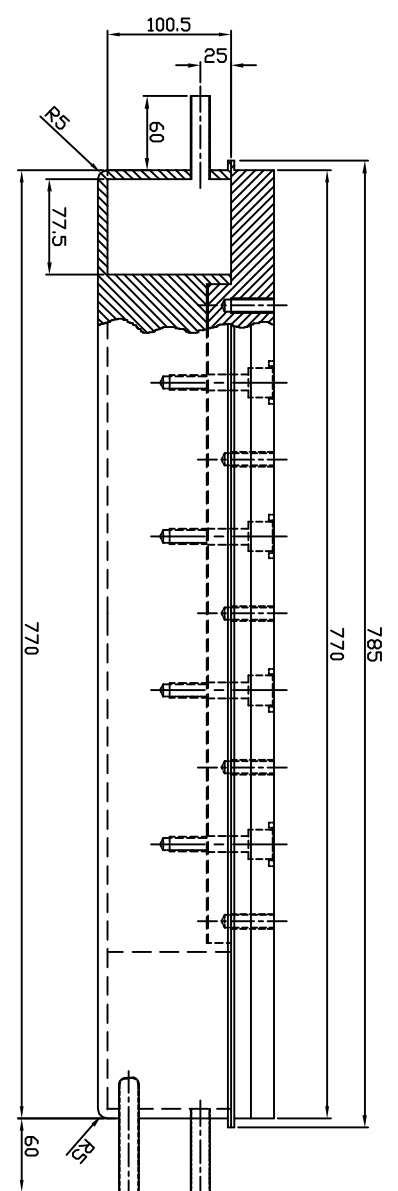


SECTION - 'AA'



SECTION - 'ZZ'



VIEW - 'X'

General tolerance on dimensions is  $\pm 0.1\text{mm}$

Material: SS316L

TYPE OF PRODUCT		200K W HTSC MOTOR	
NAME OF CUSTOMER/PROJECT		INDIAN SPACE GROUP	
DATE OF ISSUE		15/08/2022	
DRAWN BY		KX102080022	
CHECKED BY		KX102080022	
APPROVED BY		KX102080022	
THE HOUSING ASSEMBLY FOR HTSC COIL		DRAWING NO. KX102080022	
DATE		15/08/2022	
SCALE		1:1	
SHEET NO.		1 OF 1	