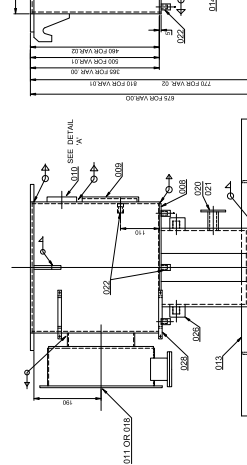
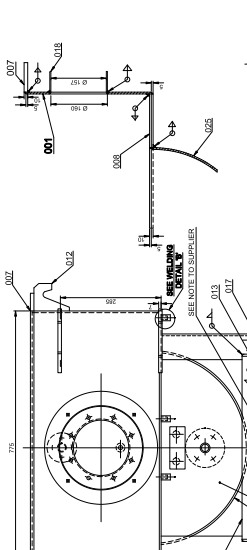
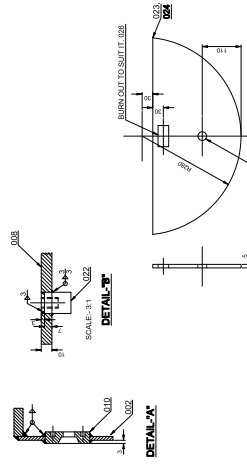


NOTE TO DWG: THIS DRG. IS FOR SMALLER DIA INSULATOR LOWER RANGE P.C.D. 365 MM.

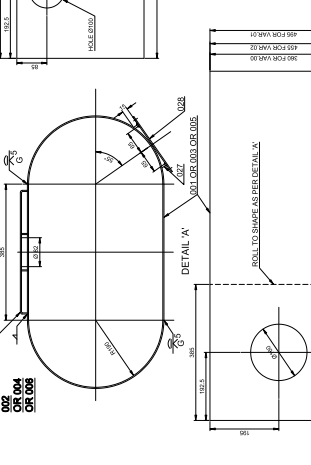
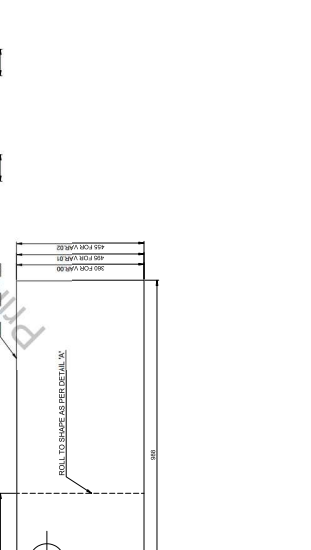
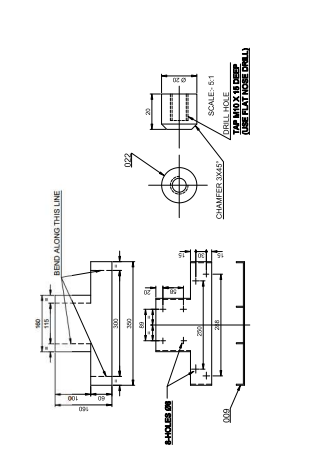
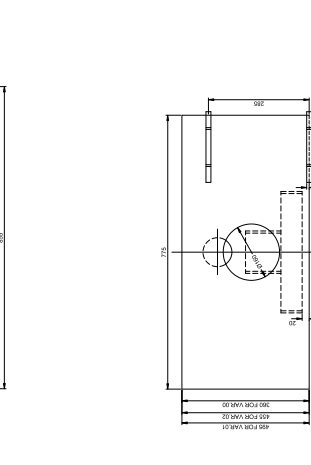
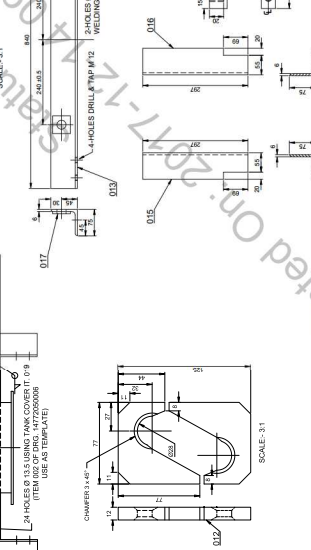
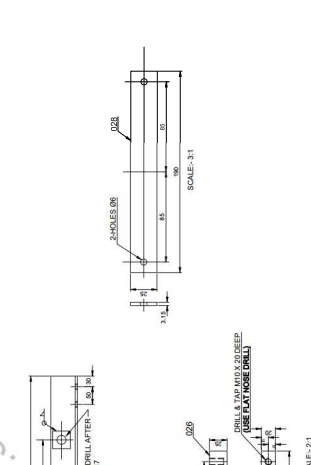
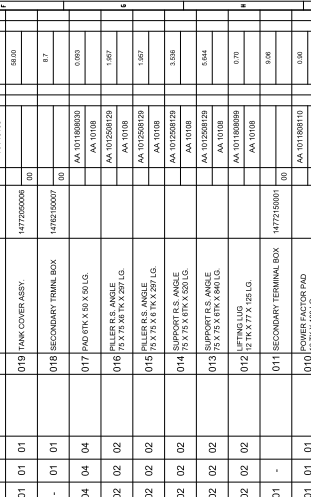
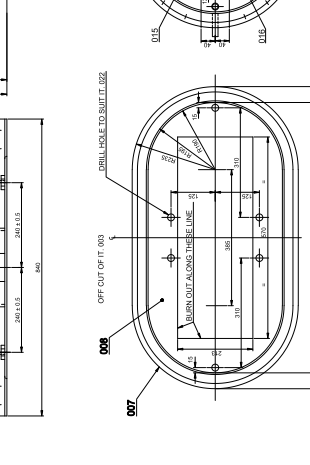
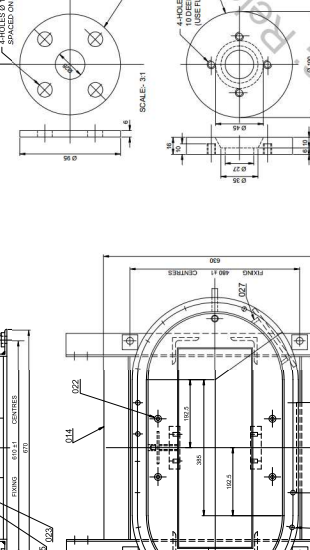
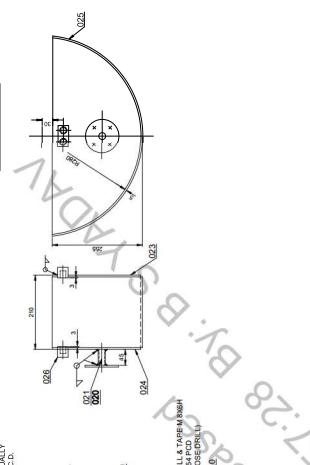
NOTES TO SHOP:
 1. ALL WELDING & PAINTING ACTIVITIES AS PER DRG. NO. 447205000.
 2. VAR.00 FOR CORE HEIGHT 330. VAR.01 - CORE HEIGHT 430. VAR.02 FOR CORE HEIGHT 470.

VAR.00 FOR W.A.R. 00 - 16.83.05
VAR.01 FOR W.A.R. 01 - 16.83.05
VAR.02 FOR W.A.R. 02 - 16.83.05

STYLE NO.	ITEM INCLUDED	DESCRIPTION	RECORD BUILD SIGNI. DATE
6.2.0.1.2	VAR.00	TANK & COVER ASSY. FABRICATION ONLY.	25-07-16
6.2.0.1.7	VAR.00	INSULATOR LOWER RANGE P.C.D. 365 MM. (NOT FOR GALVANIZING)	25-07-16
6.2.0.1.15	VAR.00	TANK & TANK COVER ASSY. FABRICATION ONLY.	25-07-16
6.2.0.1.15	VAR.00	TANK & TANK COVER ASSY. (CONSTRUCTION)	25-07-16



ITEM NO.	ITEM	DESCRIPTION	RECORD BUILD SIGNI. DATE
02 02 02	028	FR. PLATE M12 1.31 TX 23 X 190 LG.	AA/01/16/0003
02 02 02	027	FR. PLATE M12 1.31 TX 20 X 19 LG.	AA/10/1008
02 02 02	026	ROSTER STEEL 25 TX X 20 X 90 LG.	AA/01/16/0008
01 01 01	025	BASE POCKET 51 TX X 20 X 420 LG.	AA/01/16/0003
01 01 01	024	BASE POCKET 51 TX X 20 X 360 LG.	AA/01/16/0008
01 01 01	023	BASE POCKET 51 TX X 20 X 360 LG.	AA/01/16/0003
07 07 07	022	ROSTER M12 20 X 20 LG.	AA/01/16/0008
01 01 01	021	ROSTER M12 20 X 20 LG.	AA/01/16/0003
01 01 01	020	PACK TKS X 0.95	AA/10/1008
01 01 01	019	TANK COVER ASSY.	14/7200004
01 01 01	018	SECONDARY TRAIL BOX	14/0210007
04 04 04	017	PAD PRTS 8.6 X 20 LG.	AA/10/16/0003
02 02 02	016	PULLER P.S. ANGLE 75 X 75 X 6 TX X 297 LG.	AA/10/16/0008
02 02 02	015	PULLER P.S. ANGLE 75 X 75 X 6 TX X 297 LG.	AA/10/16/0003
02 02 02	014	SUPPORT P.S. ANGLE 75 X 75 X 6 TX X 403 LG.	AA/10/16/0008
02 02 02	013	SUPPORT P.S. ANGLE 75 X 75 X 6 TX X 403 LG.	AA/10/16/0003
02 02 02	012	LIFTING LUG 12 TX X 77 X 125 LG.	AA/10/16/0008
01 -	011	SECONDARY TERMINAL BOX 147210001	AA/10/16/0003
01 01 01	010	POWER FACTOR PAD 15 TX X 100 LG.	AA/10/16/0008
01 01 01	009	MONOCORUM PAD 10 TX X 100 X 190 LG.	AA/10/16/0003
01 01 01	008	TANK BASE 10 TX X 100 X 190 LG.	AA/10/16/0008
01 01 01	007	TANK RIM 10 TX X 470 X 165 LG.	AA/10/16/0003
01 -	006	TANK SIDE 8 TX X 485 X 990 LG.	AA/10/16/0008
01 -	005	TANK SIDE 8 TX X 485 X 990 LG.	AA/10/16/0003
01 -	004	TANK SIDE 8 TX X 455 X 980 LG.	AA/10/16/0008
01 -	003	TANK SIDE 8 TX X 455 X 980 LG.	AA/10/16/0003
01 -	002	TANK SIDE 8 TX X 380 X 980 LG.	AA/10/16/0008
01 -	001	TANK SIDE 8 TX X 380 X 980 LG.	AA/10/16/0003



ITEM NO.	ITEM	DESCRIPTION	RECORD BUILD SIGNI. DATE
02 02 02	028	FR. PLATE M12 1.31 TX 23 X 190 LG.	AA/01/16/0003
02 02 02	027	FR. PLATE M12 1.31 TX 20 X 19 LG.	AA/10/1008
02 02 02	026	ROSTER STEEL 25 TX X 20 X 90 LG.	AA/01/16/0008
01 01 01	025	BASE POCKET 51 TX X 20 X 420 LG.	AA/01/16/0003
01 01 01	024	BASE POCKET 51 TX X 20 X 360 LG.	AA/01/16/0008
01 01 01	023	BASE POCKET 51 TX X 20 X 360 LG.	AA/01/16/0003
07 07 07	022	ROSTER M12 20 X 20 LG.	AA/01/16/0008
01 01 01	021	ROSTER M12 20 X 20 LG.	AA/01/16/0003
01 01 01	020	PACK TKS X 0.95	AA/10/1008
01 01 01	019	TANK COVER ASSY.	14/7200004
01 01 01	018	SECONDARY TRAIL BOX	14/0210007
04 04 04	017	PAD PRTS 8.6 X 20 LG.	AA/10/16/0003
02 02 02	016	PULLER P.S. ANGLE 75 X 75 X 6 TX X 297 LG.	AA/10/16/0008
02 02 02	015	PULLER P.S. ANGLE 75 X 75 X 6 TX X 297 LG.	AA/10/16/0003
02 02 02	014	SUPPORT P.S. ANGLE 75 X 75 X 6 TX X 403 LG.	AA/10/16/0008
02 02 02	013	SUPPORT P.S. ANGLE 75 X 75 X 6 TX X 403 LG.	AA/10/16/0003
02 02 02	012	LIFTING LUG 12 TX X 77 X 125 LG.	AA/10/16/0008
01 -	011	SECONDARY TERMINAL BOX 147210001	AA/10/16/0003
01 01 01	010	POWER FACTOR PAD 15 TX X 100 LG.	AA/10/16/0008
01 01 01	009	MONOCORUM PAD 10 TX X 100 X 190 LG.	AA/10/16/0003
01 01 01	008	TANK BASE 10 TX X 100 X 190 LG.	AA/10/16/0008
01 01 01	007	TANK RIM 10 TX X 470 X 165 LG.	AA/10/16/0003
01 -	006	TANK SIDE 8 TX X 485 X 990 LG.	AA/10/16/0008
01 -	005	TANK SIDE 8 TX X 485 X 990 LG.	AA/10/16/0003
01 -	004	TANK SIDE 8 TX X 455 X 980 LG.	AA/10/16/0008
01 -	003	TANK SIDE 8 TX X 455 X 980 LG.	AA/10/16/0003
01 -	002	TANK SIDE 8 TX X 380 X 980 LG.	AA/10/16/0008
01 -	001	TANK SIDE 8 TX X 380 X 980 LG.	AA/10/16/0003

