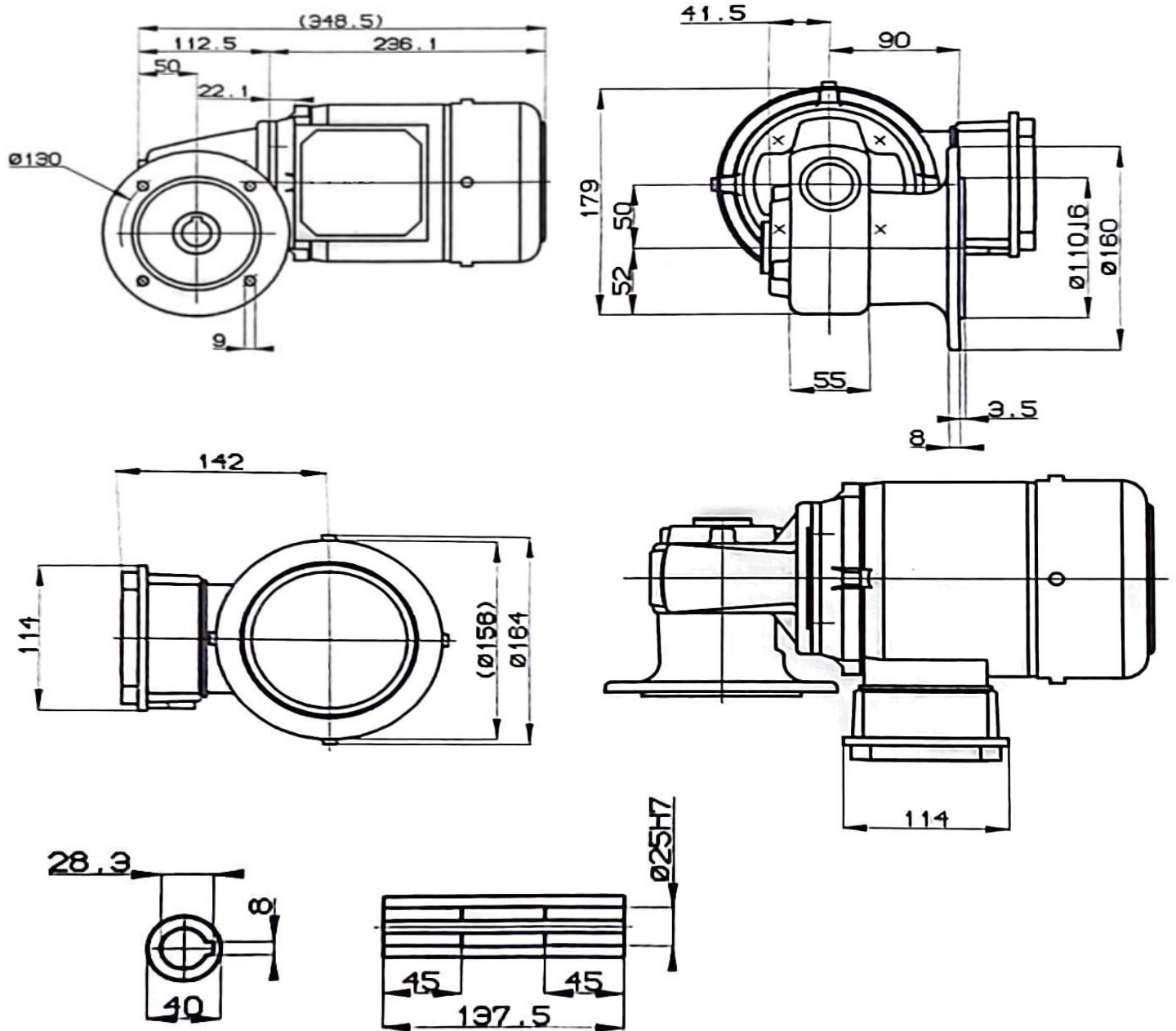


TRIPLE ROLLER MOTOR WITH FOLLOWING SPECIFICATION

Sl. No.	DESCRIPTION	BHEL'S REQUIREMENT	BIDDER'S RESPONSE
1	MOTOR SPECIFICATIONS		
1.1	Make	Bidder to specify	
1.2	Model / Part Number	Bidder to specify	
1.3	Rated Power	0.75 kW	
1.4	Rated Torque	Bidder to specify	
1.5	Maximum Torque	1.6 times the rated torque	
1.6	Rated Voltage	400 V (Y)	
1.7	Rated Frequency	50 Hz	
1.8	Rated Speed	1415 RPM	
1.9	Rated Current	Bidder to specify	
1.1	Efficiency	Bidder to specify	
1.11	Power Factor	Bidder to specify	
1.12	Frame Size	80 L	
1.13	Mounting Position	IM B5 (Flange)	
1.14	Degree of Protection	IP 55	
1.15	Insulation Class	F	
1.16	Duty type rating	S 3	
1.17	Cyclic Duration Factor	15%	
1.18	Starts per Hour	60	
1.19	Starting Method	Variable Frequency Drive	
1.2	Method of Cooling	TEFC	
1.21	Location of Terminal Box	Left (when viewed from Non drive end)	
1.22	Confirming Standard	Bidder to specify	
1.23	Efficiency Class	IE 3	
2	GEARBOX SPECIFICATIONS		
2.1	Construction	Gears and pinions of Worm type made out of alloy steel in generating process, further hardened and ground to high precision and accuracy.	
2.2	Rated Torque	52.11 Nm	
2.3	Maximum Torque	83.38 Nm	
2.4	Rated Speed	142 RPM	
2.5	Gear Ratio	10	
2.6	Load Classification	AGMA Class III	
2.7	Service Factor	Bidder to specify (Not less than 2.0)	

Sl. No.	DESCRIPTION	BHEL'S REQUIREMENT	BIDDER'S RESPONSE
2.8	Mounting Position	IM B5 (Flange)	
2.9	Lubrication Nipple	Should be available	
3	DIMENSIONAL DETAILS		
3.1	Dimensions as per the drawing given below. All Dimensions are in mm.	If there is any dimensional deviations, bidder shall indicate without fail.	



Sl. No.	DESCRIPTION	BHEL'S REQUIREMENT	BIDDER'S RESPONSE
4	QUALIFYING CONDITIONS AND DOCUMENTS TO BE SUBMITTED		
4.1	Only those Bidders who have supplied similar or higher capacity geared motor that is working satisfactorily for at least two year after supply should quote.	Bidder to confirm. Attach relevant copies	
4.2	Motor Data sheet	Bidder to attach along with the offer	
4.3	Motor GA drawing	Bidder to attach along with the offer	
4.4	Gearbox Data sheet	Bidder to attach along with the offer	
4.5	Gearbox GA drawing	Bidder to attach along with the offer	
4.6	Routine Test reports	To be provided during supply	
4.7	Operation and Maintenance manuals	To be provided during supply	
4.8	Detailed Engineering drawing of gear box	To be provided during supply	