

470 mm x 345 mm x 150 mm Air Filter PB1

Type: Flange

Frame: Aluminium Alloy/Stainless Steel/Galvanized Sheet

Filter Media: HDPE + N/W + Aluminium Mesh

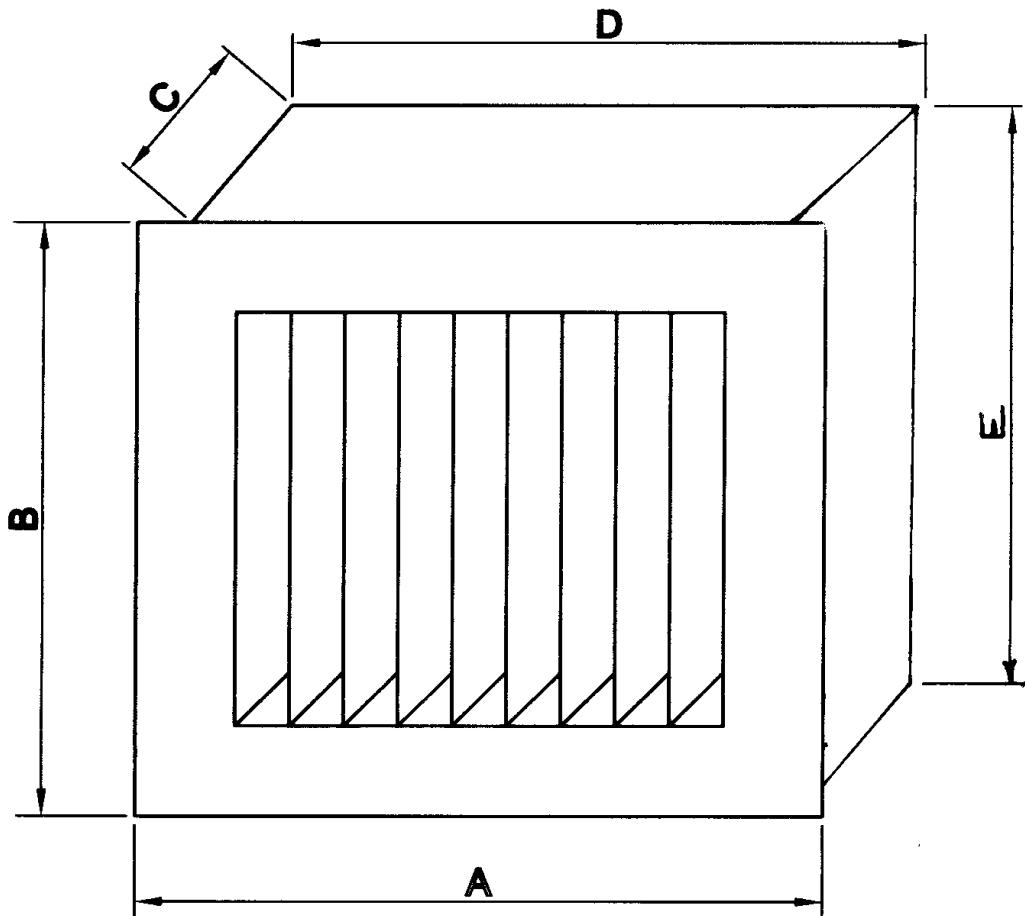
Filtration Rating: 99.9% down to 3 μ

Both Side Aluminium Expanded Mesh Face Guard

Required Air flow: 1700 m³/hr

Pressure Drop: 12.5 mm WC

Dimensional Drawing:



TYPE	A	B	C	D	E
FLANGE	470	345	150	435	310